

STATION DIALS 80, 82, AND 83 TYPES IDENTIFICATION AND MAINTENANCE

1. GENERAL

1.01 This section contains information for 80-, 82-, and 83-type dials.

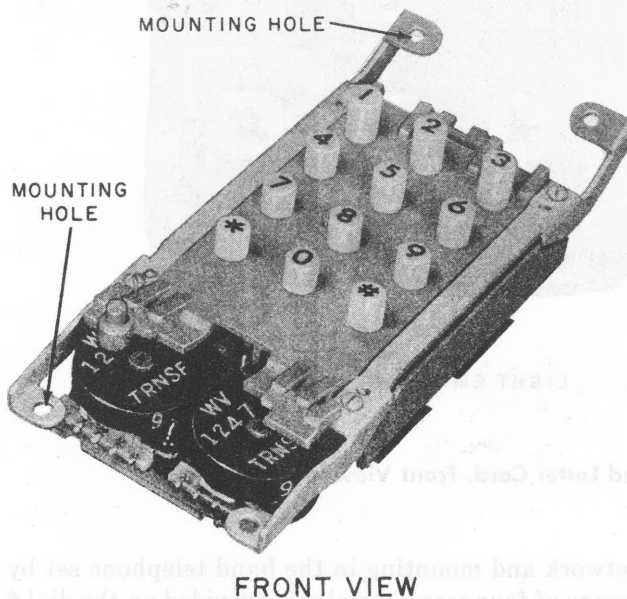


Fig. 1—82A2A Dial, Front View

1.02 The reasons for reissuing this section are listed below. Revision arrows are used to emphasize the more significant changes.

- (a) Change title of Section
- (b) Add 83A2C dial.

2. IDENTIFICATION

PURPOSE

2.01 These dials provide TOUCH-TONE® dialing in TRIMLINE® telephone sets. The 80B2A manufacture discontinued (MD) dial has only 10-button dialing 1 through 0. The 82A2A, 83A2B, and 83A2C dials provide 10-button dialing and two buttons designated * and # for special services.

ORDERING GUIDE

2.02 Order dial as follows:

- Dial, 80B2A (MD)
- Dial, 82A2A
- Dial, 83A2B
- Dial, 83A2C

DESIGN FEATURES

2.03 Each of the buttons, when operated, generates a signal distinctive to that button (Fig. 3). All buttons operate the common switch which reduces sidetone to the receiver, opens the transmitter path, and turns on the oscillator circuit to generate the proper frequencies.

2.04 The 80B2A (MD) and 82A2A dials are mounted using the four holes provided in the dial brackets. Seven screw-type terminals are provided for connections between the dial and hand telephone set network. The 83A2B dial combines connection to the hand telephone set network and mounting in the hand telephone set by means of five screw terminals provided on the dial. The 83A2C dial combines connection to the hand telephone set

NOTICE

Not for use or disclosure outside the
Bell System except under written agreement

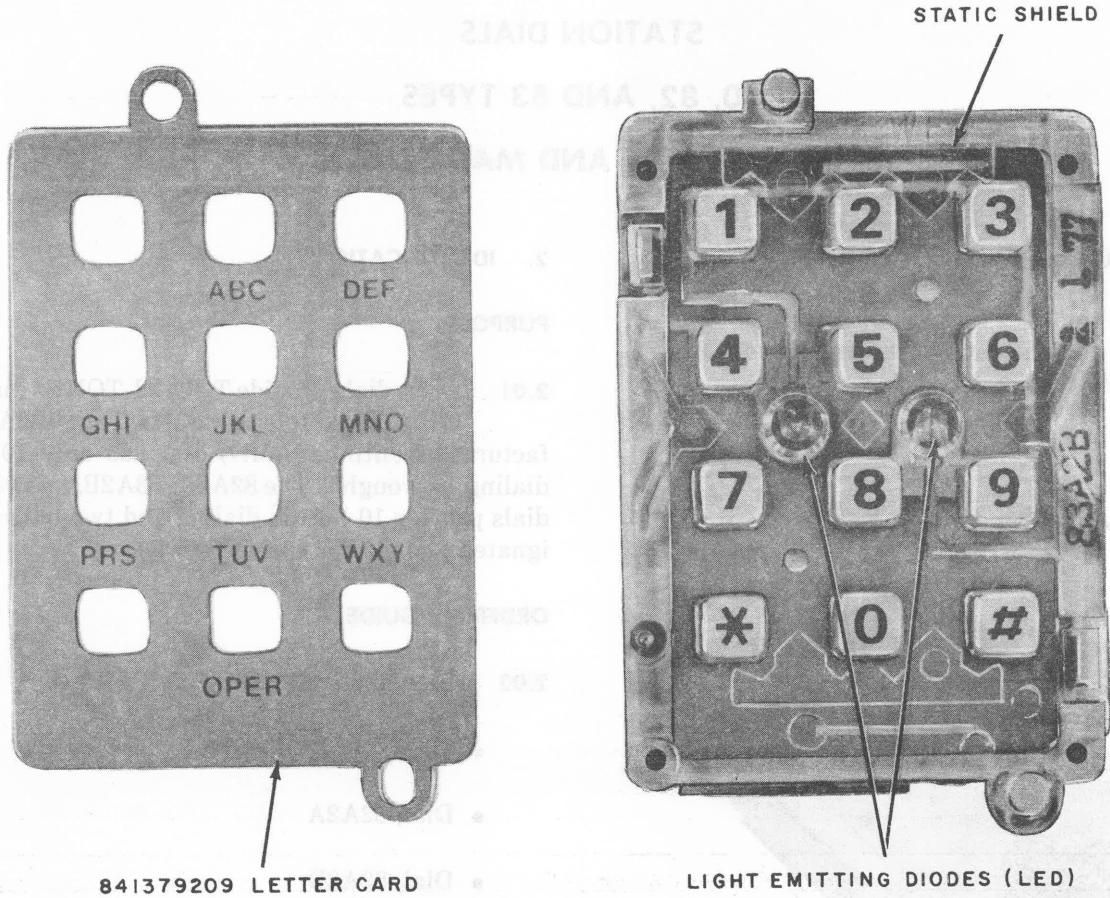


Fig. 2—83A2B and 83A2C Dial and Letter Card, Front View

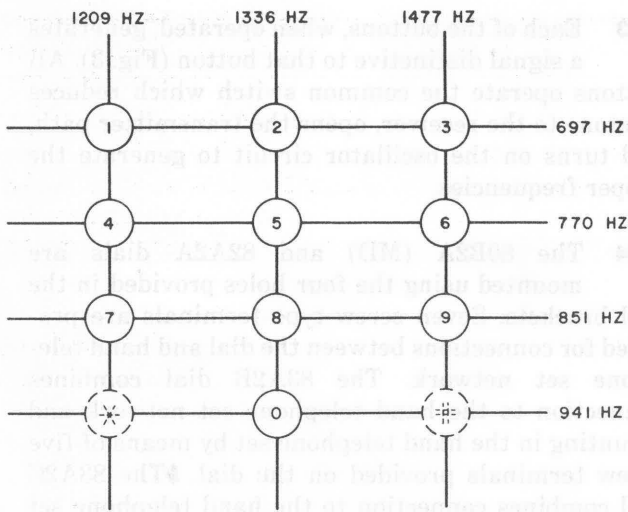


Fig. 3—Dial Frequencies

network and mounting in the hand telephone set by means of four screw terminals provided on the dial.

2.05 The dial buttons are an off-white translucent plastic material and are illuminated by a light guide provided in the hand telephone set. The 83A2B and 83A2C dials require no external ac power to illuminate light emitting diodes (LED).



When a button of the 83A2B or 83A2C dial is depressed, the dial light is extinguished until the button is released.

APPLICATION

2.06 Application of 80-type dials is as follows:

- 80B2A (MD) Dial: For use in 1220A (MD) hand telephone set

- 82A2A Dial: For use in 2220B hand telephone set
- 83A2B Dial: For use in 2220C hand telephone set
- 83A2C Dial: For use in 2220D hand telephone set.⚡

3. MAINTENANCE



The 80-type dial is an integral part of a TRIMLINE telephone set. Do not attempt to adjust or replace the dial in the field. If the dial appears to be inoperative, replace the entire hand telephone set.

3.01 Field testing of the dial assembly is limited to the use of the Central Office station dial and ringer test circuit for TOUCH-TONE dialing.

3.02 Correct voltage polarity across the dial must be maintained in 1220A and 2220B hand telephone sets, since they are not equipped with a polarity guard. **Tip** and **ring** must be wired to the connecting block as shown in the appropriate telephone set base sections.

3.03 While voltage polarity is suggested, it is not required for proper operation of the 83A2B and 83A2C dials, since the 2220C hand telephone set has a factory-installed polarity guard.

4. SCHEMATICS

4.01 The following are schematic drawings.

Fig. 4—80B2A (MD) and 82A2A Dials, Schematic

Fig. 5—83A2B Dial, Schematic

⚡Fig. 6—83A2C Dial, Schematic.⚡

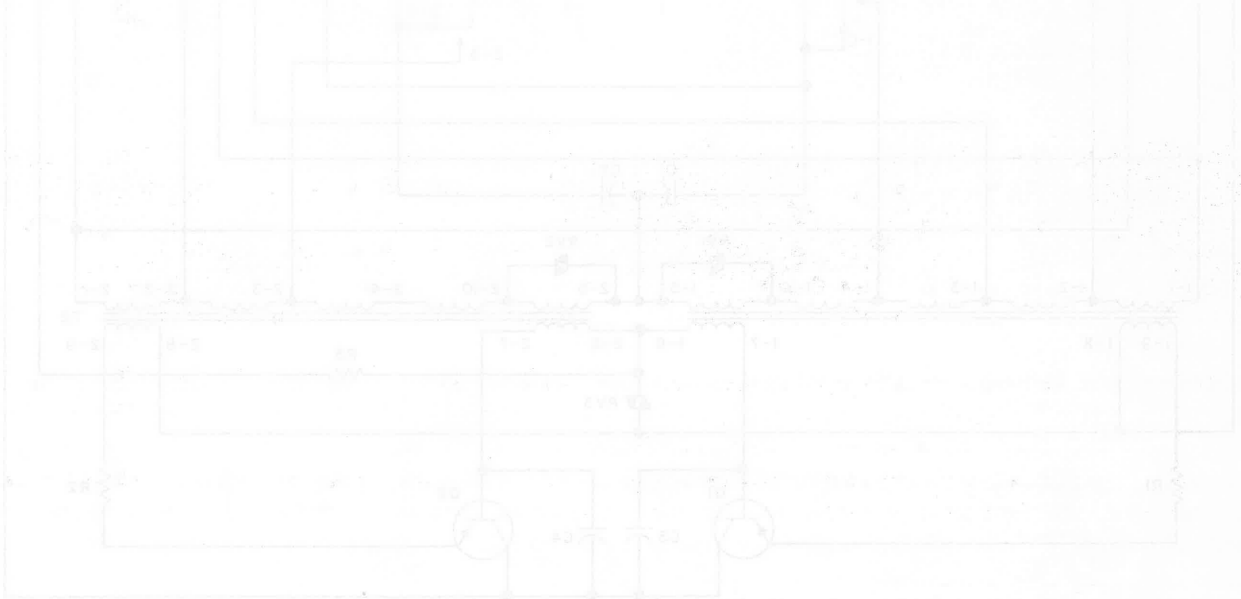


Fig. 4—80B2A (MD) and 82A2A Dials, Schematic

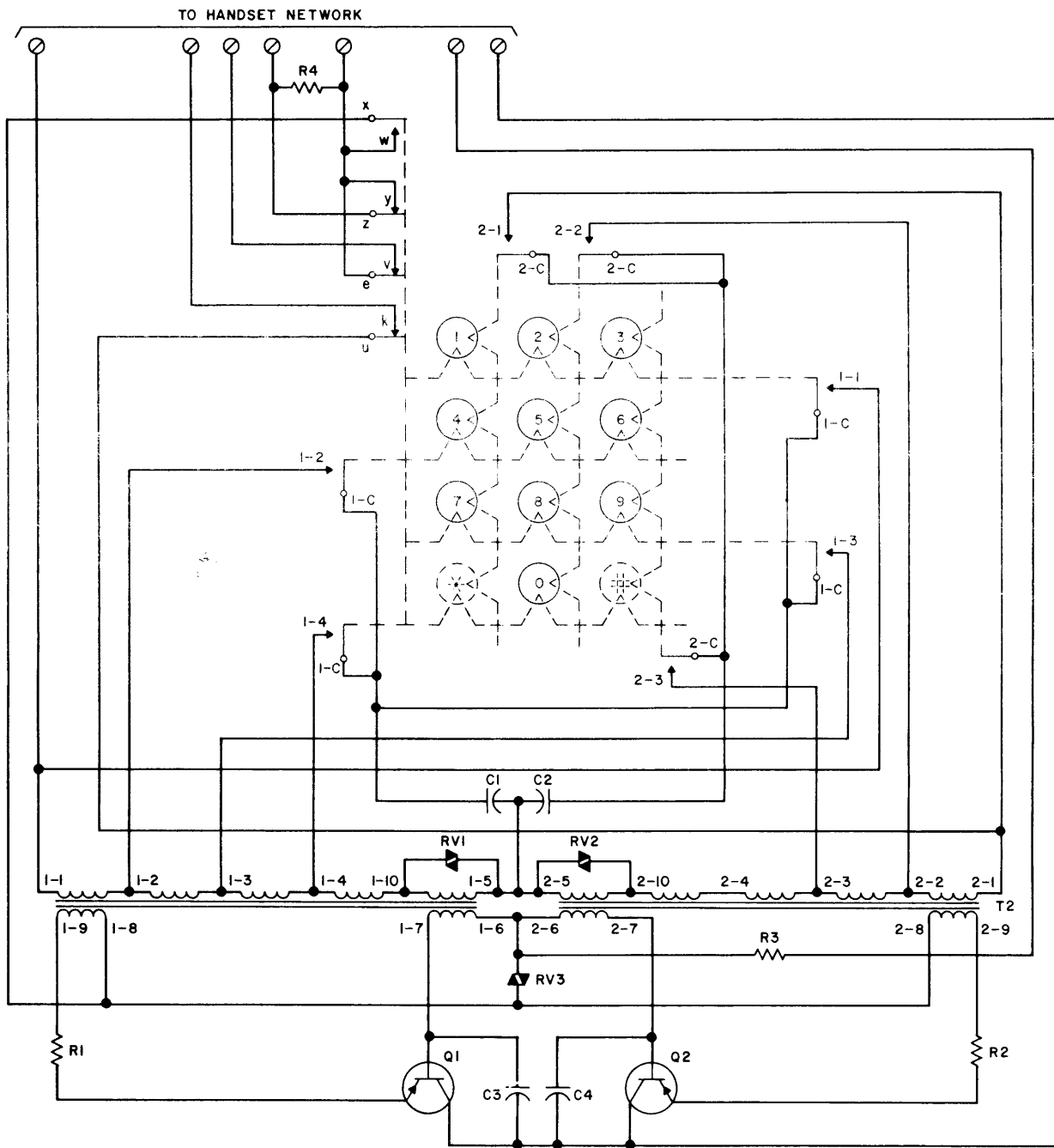


Fig. 4—80B2A (MD) and 82A2A Dials, Schematic

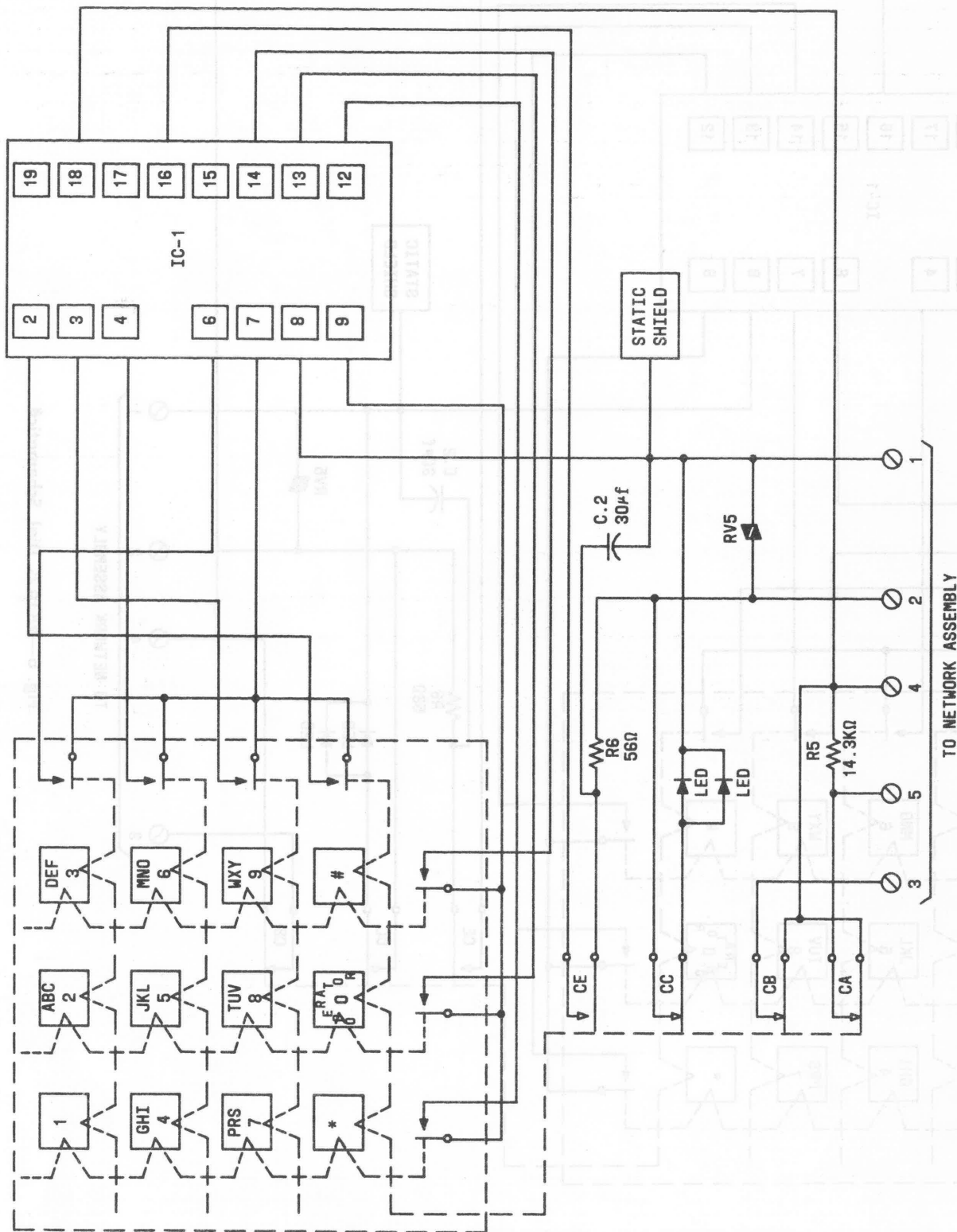


Fig. 5—83A2B Dial, Schematic

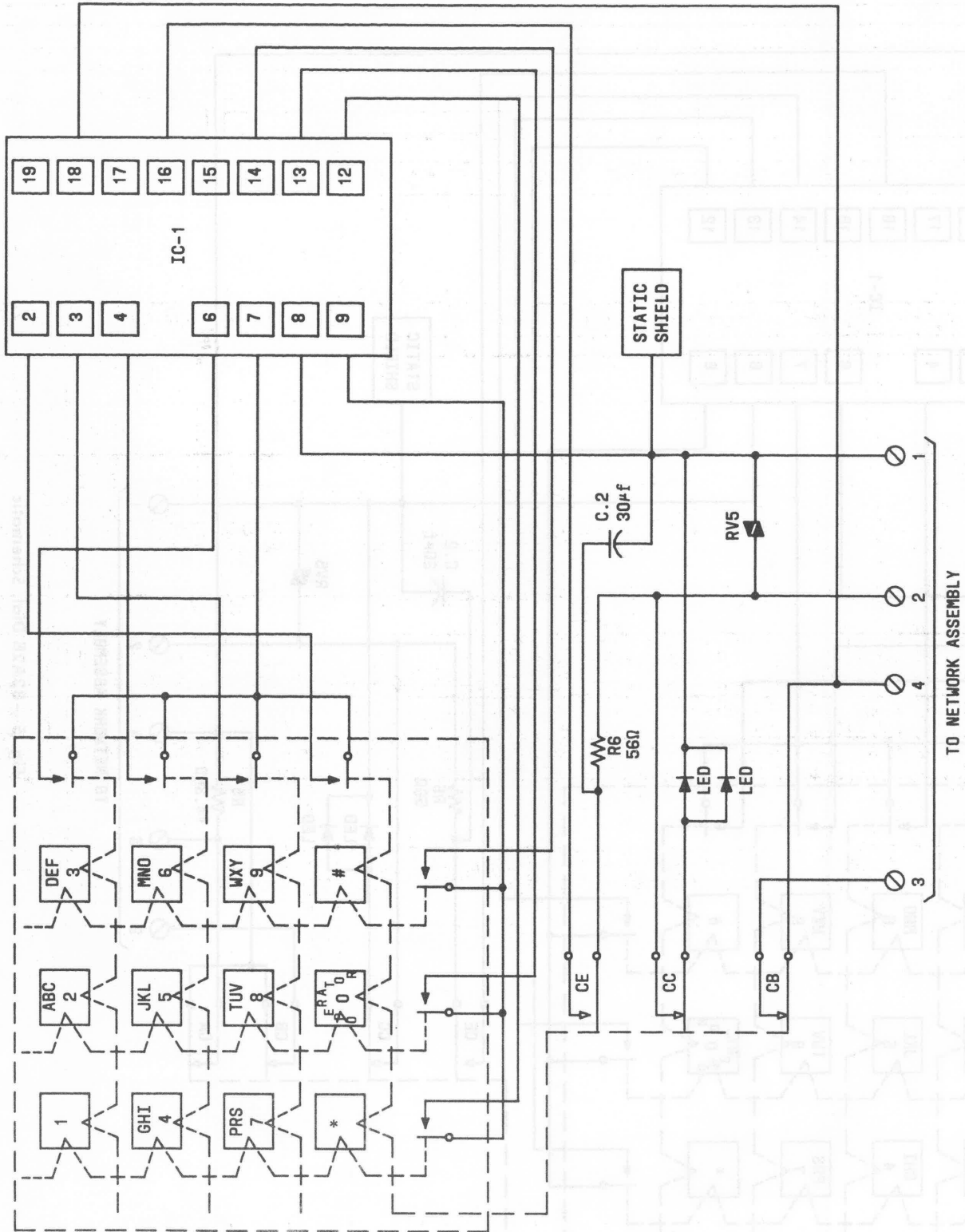


Fig. 6—83A2C Dial, Schematic