

## TONE DETECTOR - 1A350

### 1. GENERAL

- 1.01 This section contains identification information on the 1A350 tone detector (Fig. 1).
- 1.02 This section is reissued to revise Fig. 2.
- 1.03 This tone detector is initially intended for use with 43A and 53A one-number preset dials. Refer to Sections 501-165-101 and 501-165-110, respectively, for installation and connections information when used with these dials.

[Consists of a 840390918 printed wiring board assembly, (two) 801809229 (P-180922) B. H. M. screws, and (two) 840390934 mounting brackets].

### 2. IDENTIFICATION

- 2.01 The 1A350 tone detector consists of standard electronic components mounted on a printed wiring board assembly.
- 2.02 The detector printed wiring board is equipped with four spade-tipped leads for the input, output, and power connections. Refer to (Fig. 2) for a schematic drawing of the 1A350 tone detector.
- 2.03 The 1A350 tone detector operates on 17 to 28 volts dc.
- 2.04 The tone detector, when connected in the circuit of either dial, detects the 350 Hz frequency of precise dial tone. Approximately one second of 350 Hz tone is required to change the output level of the dial tone detector. An output is given which automatically starts either dial and eliminates the need for a call button or momentary closure to start the dialing.

### 3. ORDERING GUIDE

- Detector, Tone, 1A350

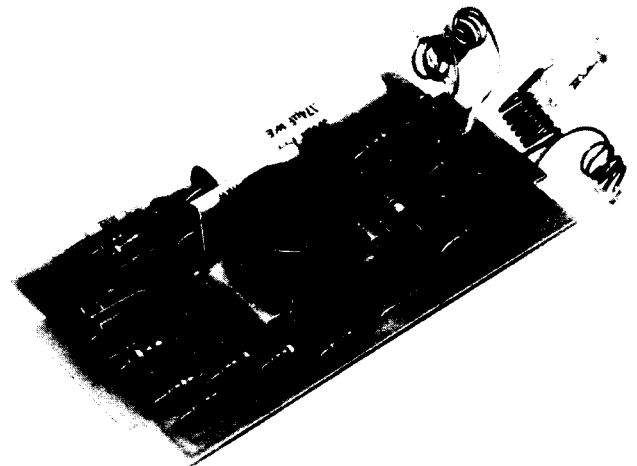


Fig. 1—1A350 Tone Detector

### NOTICE

Not for use or disclosure outside the  
Bell System except under written agreement

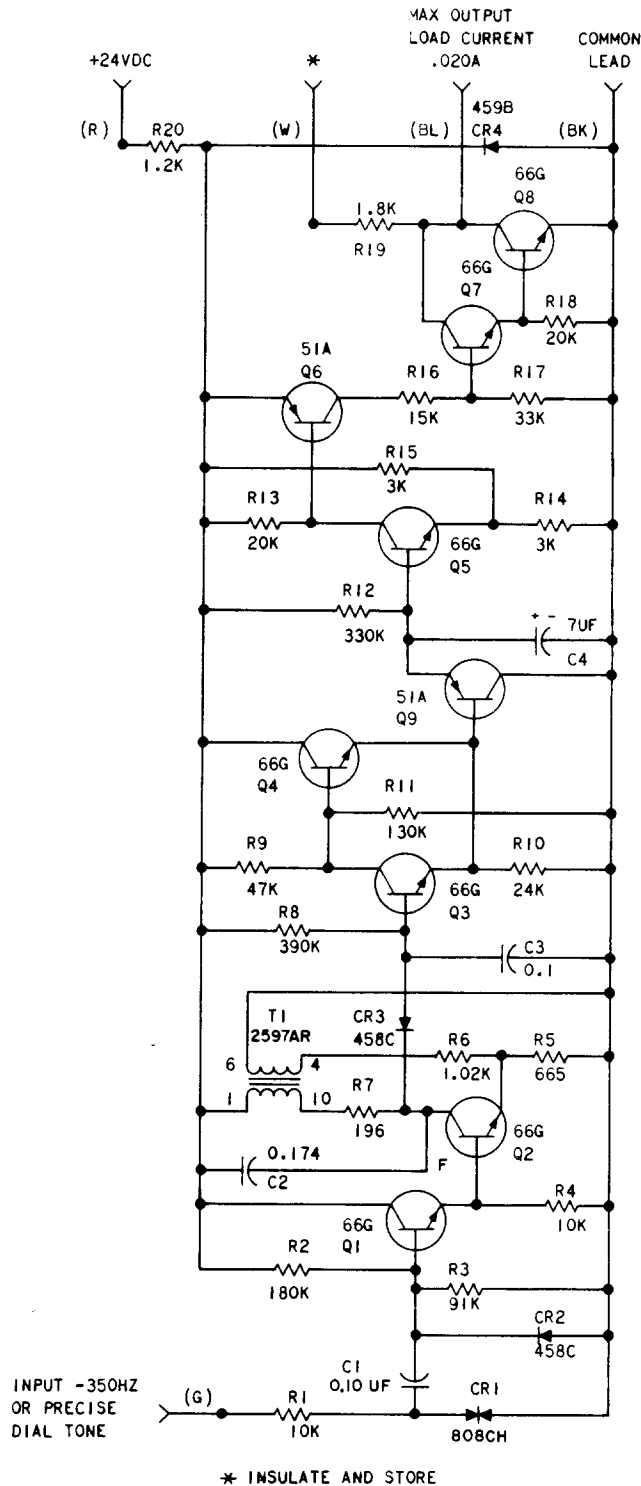


Fig. 2—Schematic, 1A350 Tone Detector