

LIBRARY
FILE COPY

CSW1A TONE RINGER

IDENTIFICATION, INSTALLATION, CONNECTIONS, AND MAINTENANCE

1. GENERAL

1.01 This section contains information on the CSW1A tone ringer (Fig. 1, 2, and 3) which is a loud ringing extension ringer for people with impaired hearing or those people desiring a pleasant sounding ringer.

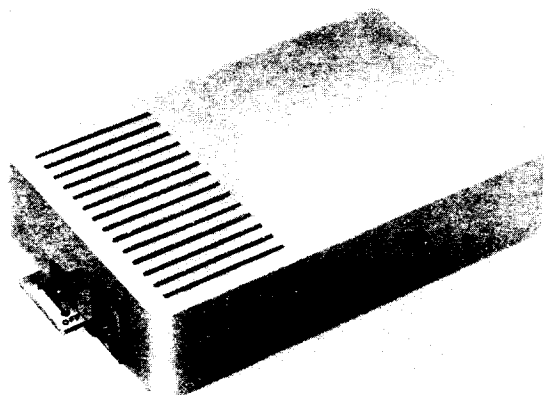


Fig. 1—CSW1A Ringer

1.02 The reasons for reissuing this section are listed below. Revision arrows are used to emphasize the more significant changes.

- Change ringer code to CSW1A
- Add 267A2 T-adapter
- Show T-adapter and mounting cord furnished with ringer.

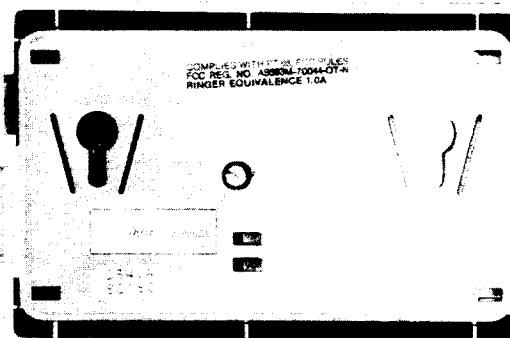


Fig. 2—CSW1A Ringer, Rear View

2. IDENTIFICATION

A. Ordering Guide

2.01 Order ringer as follows:

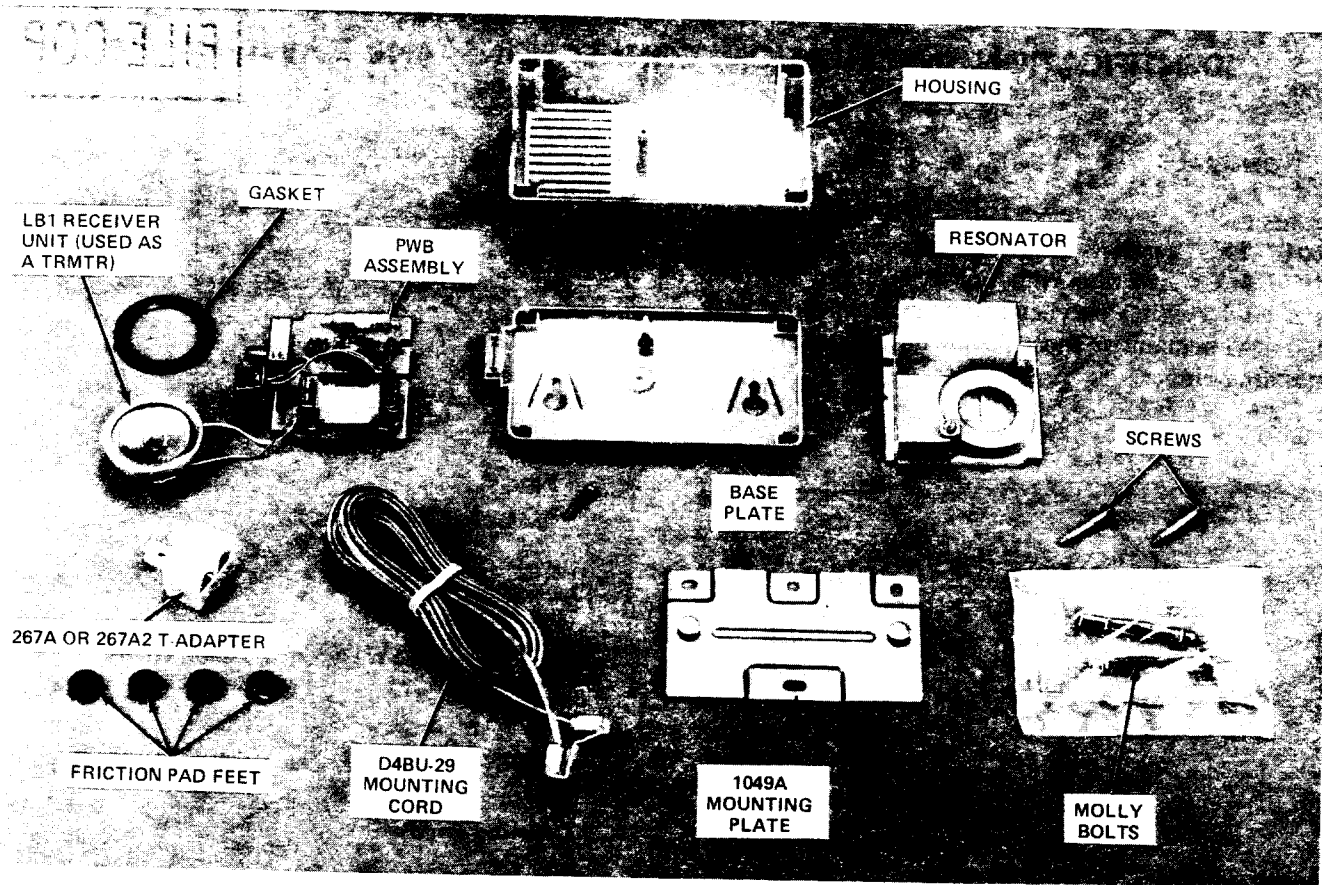
- Ringer, CSW1A (see Note).

Note: Available in ivory (-50) and dark brown (-104).

B. Associated Equipment or Apparatus

2.02 The following equipment or apparatus is furnished with each ringer.

- T-adapter, 267A or 267A2
- Cord, Mounting, D4BU-29
- Plate, Mounting, 1049A
- Desk Mounting Friction Pad.



◆Fig. 3—CSW1A Ringer, Component Parts◆

C. Design Features

2.03 The following are design features:

- To be mounted on a vertical wall surface or a desk (with provided friction pad feet).
- Volume control switch (HI through OFF) provides high-medium-low-off.
- Alerting signal consists of two equal amplitude frequency components at approximately 750 and 1500 Hz.

2.04 The ◆CSW1A◆ tone ringer can only be used on bridged ringing.

3. INSTALLATION

A. Impaired Hearing

3.01 Select a central location about 5 feet above the floor so that the customer can hear the ringer in the largest area of residence. Install using 1049A mounting plate.

B. Extension Ringer

3.02 Install on wall base board using 1049A mounting plate or on desk using friction pads.

4. CONNECTIONS

4.01 Refer to Fig. 4.

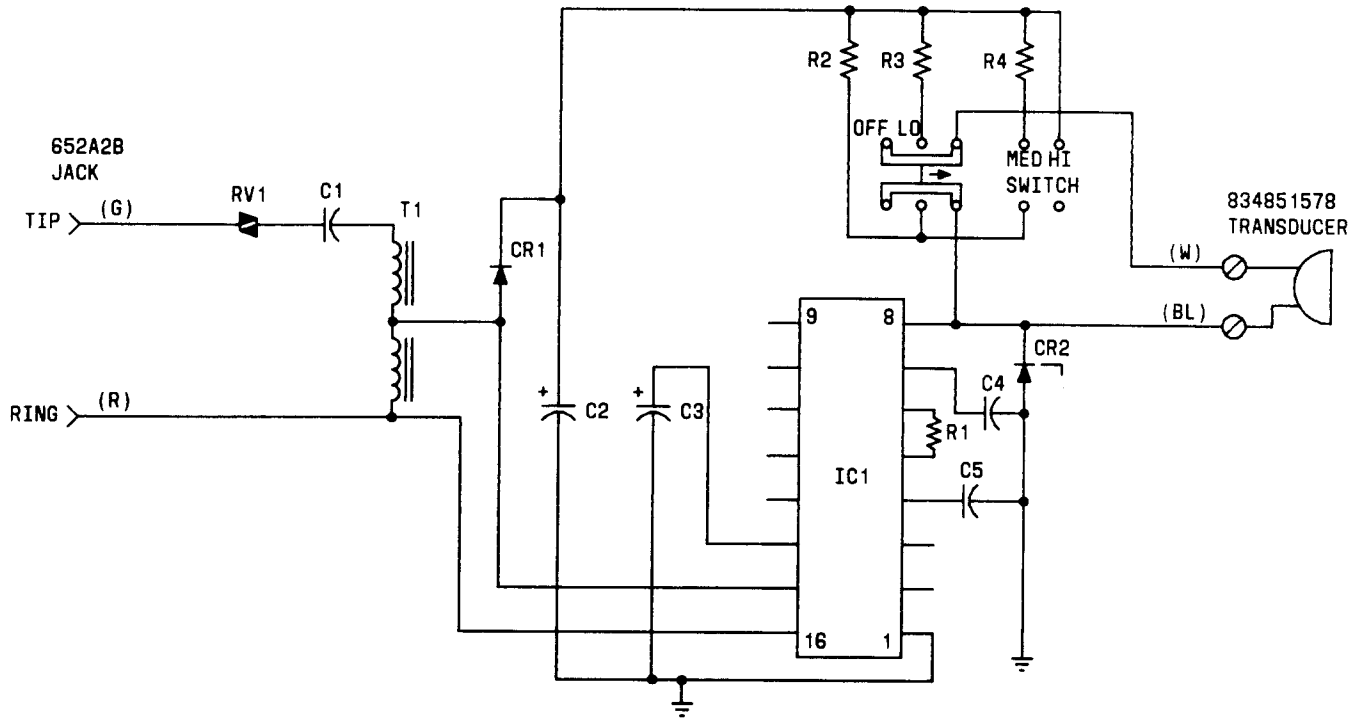
5. MAINTENANCE

5.01 If ringer fails to operate properly, check to see that volume control is not in OFF position. If not check the following:

(a) Open ringer by removing single mounting screw.

(b) Check the four leads (two from jack and two from transmitter) for opens.

(c) If tone ringer still fails to operate properly after reconnecting opens, replace ringer.



◆Fig. 4—CSW1A Ringer, Schematic◆