

F-56659 AND F-56660 COMPONENTS FOR CUSTOMER-OWNED HOUSINGS

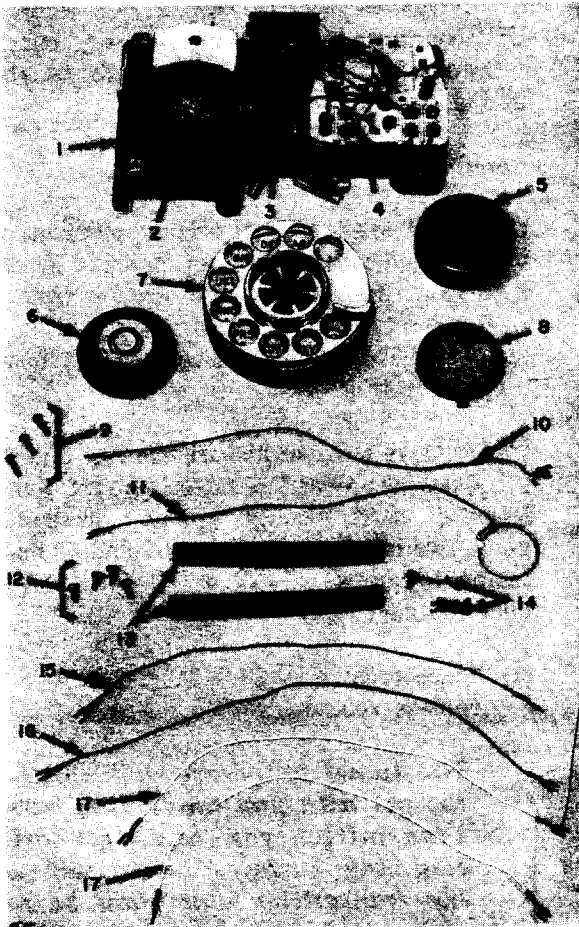
1. GENERAL

PURPOSE

The F-56659 and F-56660 consists of a group of standard components for use in assembling and wiring an operative telephone set in an accepted conforming customer-owned antique-decorator telephone set housing.

Conforming Telephone Set Housings

When a customer requests the installation of telephone set components in an antique decorator telephone set housing, determine if the customer's housing is an accepted conforming housing. These housings carry a stamp of conformance on the bottom which reads "This Enclosure Conforms To Drawing B-696501, F-56659 (Chrome) ___*___ Telephone Company No. ___*___" or "This Enclosure Conforms To Drawing B-696501, F-56660 (Gold) ___*___ Telephone Company No. ___*___"



LEGEND

- 1 — CHASSIS ASSEMBLY
- 2 — P1A RINGER
- 3 — LINE SWITCH
- 4 — 4010B NETWORK
- 5 — U3 OR U1 (MD) RECEIVER UNIT
- 6 — T1 TRANSMITTER UNIT
- 7 — F-56661 DIAL (CHROME) —
F-56659 TELEPHONE SET
F-56662 DIAL (GOLD) —
F-56660 TELEPHONE SET
- 8 — P-298106 CARD HOLDER ASSEMBLY
- 9 — P-121457 SCREW (3)
- 10 — P-22F047 SPIDER AND LEAD ASSEMBLY
- 11 — P-22F046 CONNECTOR TERMINAL
AND LEAD ASSEMBLY
- 12 — P-43A392 SCREW (4)
- 13 — P-483192 SLEEVING (2)
- 14 — P-121932 CONNECTOR ASSEMBLY (2)
- 15 — P-46J534 LEAD ASSEMBLY (RED)
- 16 — P-46J532 LEAD ASSEMBLY (BLACK)
- 17 — P-46J245 LEAD ASSEMBLY (WHITE) (2)

Fig. 1—F-56659 or F-56660 Telephone Set

*Name of reviewing telephone company and number assigned by that telephone company should be inserted.

Nonconforming Housings

Housings which do not carry the above stamp of conformance on the bottom must be modified by the local Western Electric Service Center to accept standard Bell System Components. Components and wiring removed by the Western Electric Service Center should be returned to the customer.

Customer-Owned and Maintained Components

- Housing or shell, including base (pan)
- Handset housing, handset cradle, and transmitter and receiver caps
- Actuator or plungers

Note: Inspect the customer's telephone set components before accepting them for service. Be sure he is aware of any missing or defective components found.

Assembly

- (1) Remove upper housing from base of customer-owned shell.
- (2) Obtain chassis assembly from group of components.
- (3) Position chassis on base of shell and ensure that the ringer volume control is accessible through opening on underside of base.
- (4) Secure chassis to base using four P-43A392 screws.

Dial and Dial Leads

- (1) Obtain dial and four lead assemblies from group of components.
- (2) Connect Lead assemblies in accordance with Table A.

**TABLE A
DIAL LEAD INSTALLATION**

LEAD COLOR	CONNECT BETWEEN	
	DIAL	NETWORK
(W)	R	GN
(W)	BK	R
(R)	G	RR
(BK)	BL	F

Mounting Cord (ordered separately)

- (1) Install set end of D3BN mounting cord, route through cord bracket and secure cord stay to base (Fig 2).
- (2) Connect leads of mounting cord to appropriate network terminals as shown in Fig. 4.

Handset Cord (ordered separately)

- (1) Install set end of H4CJ handset cord through cord bracket, lay on top of mounting cord (Fig. 2). Secure cord stay to base.
- (2) Connect leads of handset cord to network of set (Fig. 4).
- (3) Remove receiver and transmitter caps from customer-owned handset. Insert handset leads of cord through opening in handset, guide two *white* leads through handset handle, fasten to screws of U3 or U1 (MD) receiver unit obtained from group of components.
- (4) Place receiver unit in handset cavity and replace receiver cap.



The transmitter unit shall not be in contact with any conducting surface. Transmitter cap and transmitter clamping surfaces in contact with the transmitter unit shall be made of insulating material such as plastic or rubber. Lacquer or paint shall not be used to provide insulation.

- (5) Position ringed portion of connector terminal and lead assembly on transmitter unit (Fig. 3).
- (6) Snap spider and lead assembly onto center button of transmitter unit (Fig. 3).
- (7) Obtain two pieces of P-483192 sleeving and two P-121932 connector assemblies from group of components.
- (8) Cut sleeving sufficiently in length to completely insulate the connectors and place sleeving on each lead extending from transmitter unit.
- (9) Pull the *red* and *black* leads of handset cord through transmitter opening of handset, using the connectors, connect the *red* and *black* transmitter leads, respectively.

Insulate each connector with sleeving placed on transmitter unit leads.

- (10) Place transmitter unit in handset cavity and replace transmitter cap.
- (11) Fig. 3 is a typical installation of a group of components installed in a customer-owned antique telephone set housing.

Line and Ringer

- (1) These sets are furnished wired for individual or bridged, ring, and tip party service. With minor wiring changes, set can be used for tip-party identification. Connections should be made at a suitable connecting block. Table B shows line and ringer connections. For line connections refer to Fig. 4.

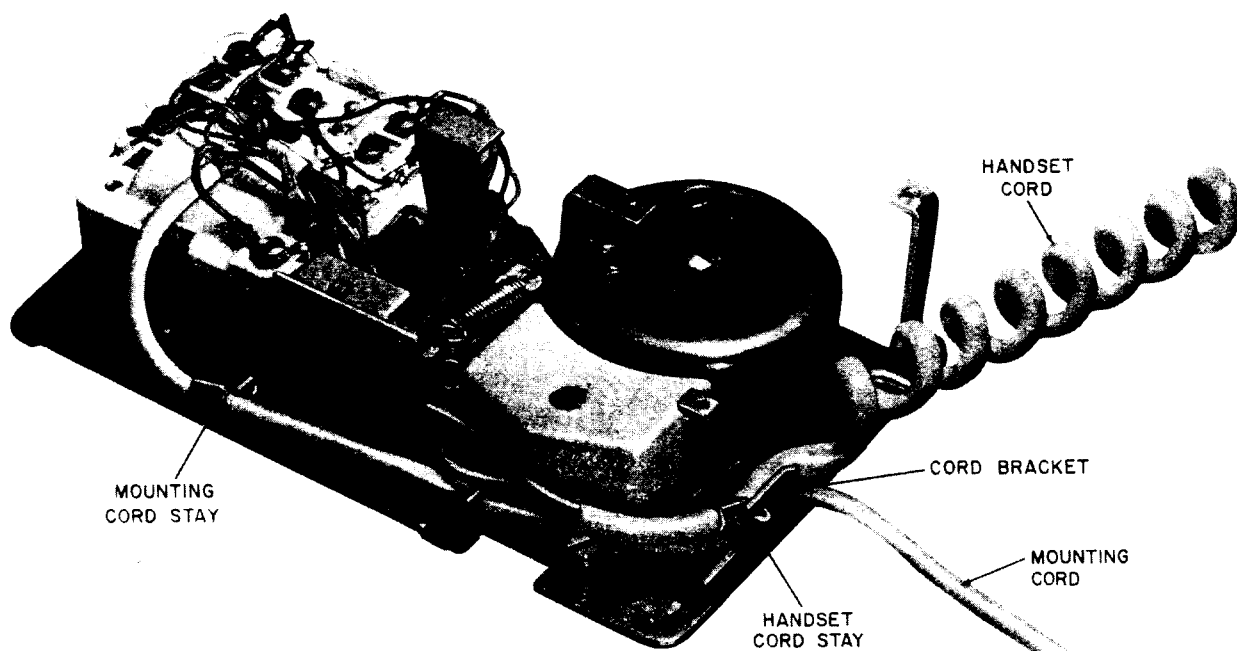


Fig. 2—Installation of Mounting and Handset Cords

TABLE B
RINGER CONNECTIONS

WIRE OR LEAD	COLOR	INDIVIDUAL OR BRIDGED	RING PARTY	TIP PARTY NO IDENT GRD	TIP PARTY IDENT GRD	
					1000Ω	2650Ω
Ringer	R	K	K	K	K	K
Lead at 4010B Network	S-R	*	*	*	*	*
	S	*	*	*	B	*
	BK	G	G	G	G	G

* Insulated and stored.

Note: To utilize ringer cut-off feature, remove factory placed stopscrew through access hole in top of ringer gong. To permanently silence ringer, remove and move volume control to off position. Replace screw and tighten to prevent volume control movement.

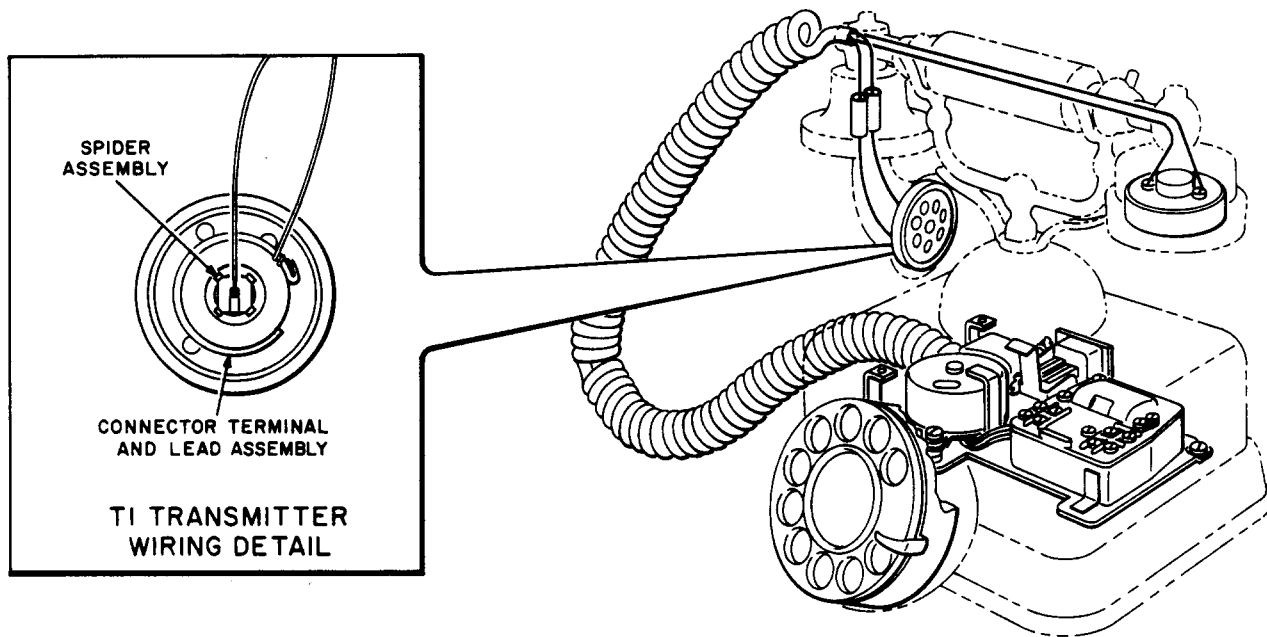


Fig. 3—Typical Installation of F-56659 or F-56660 Telephone Set in Antique Housing

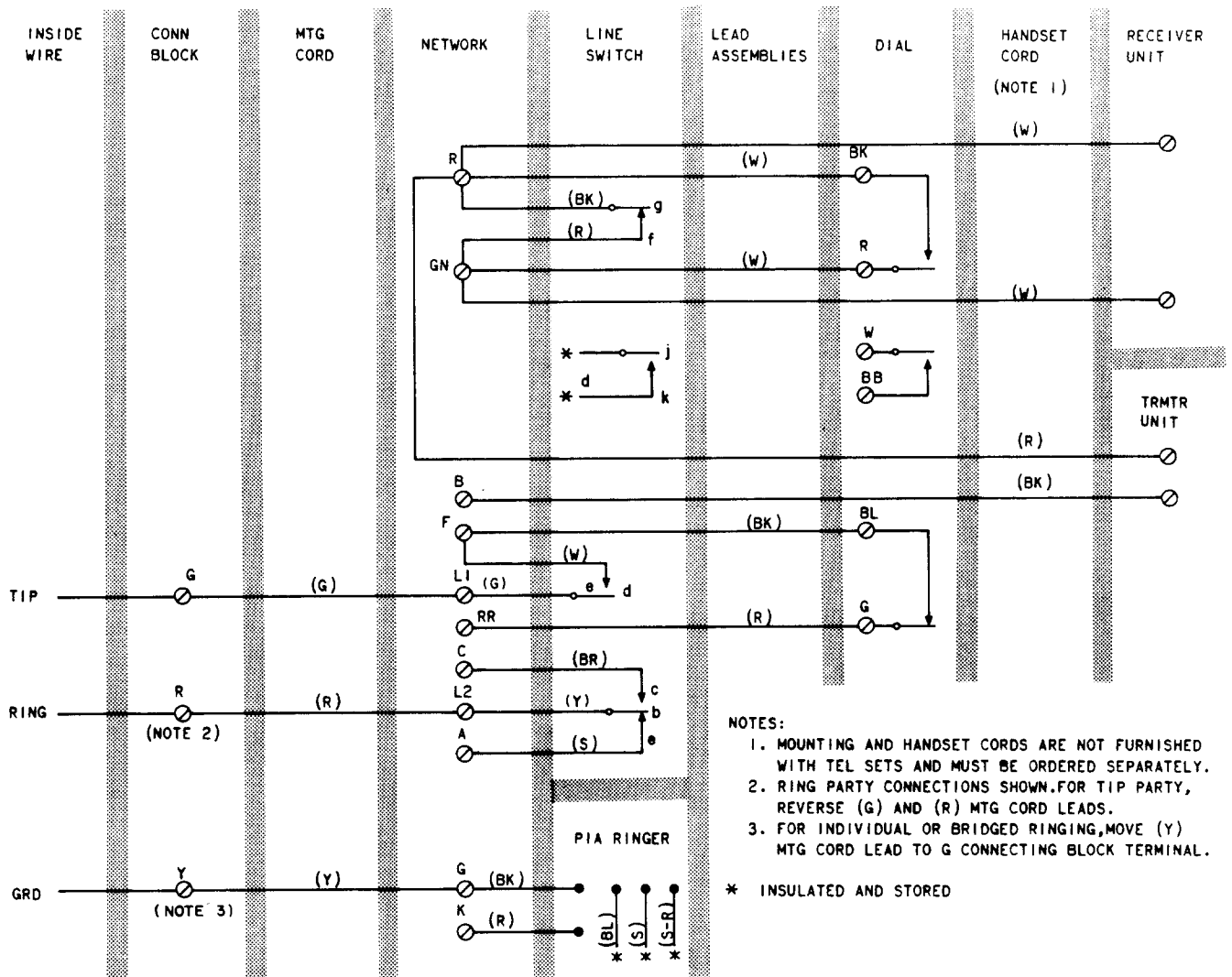


Fig. 4—F-56659 and F-56660 Telephone Set, Connections