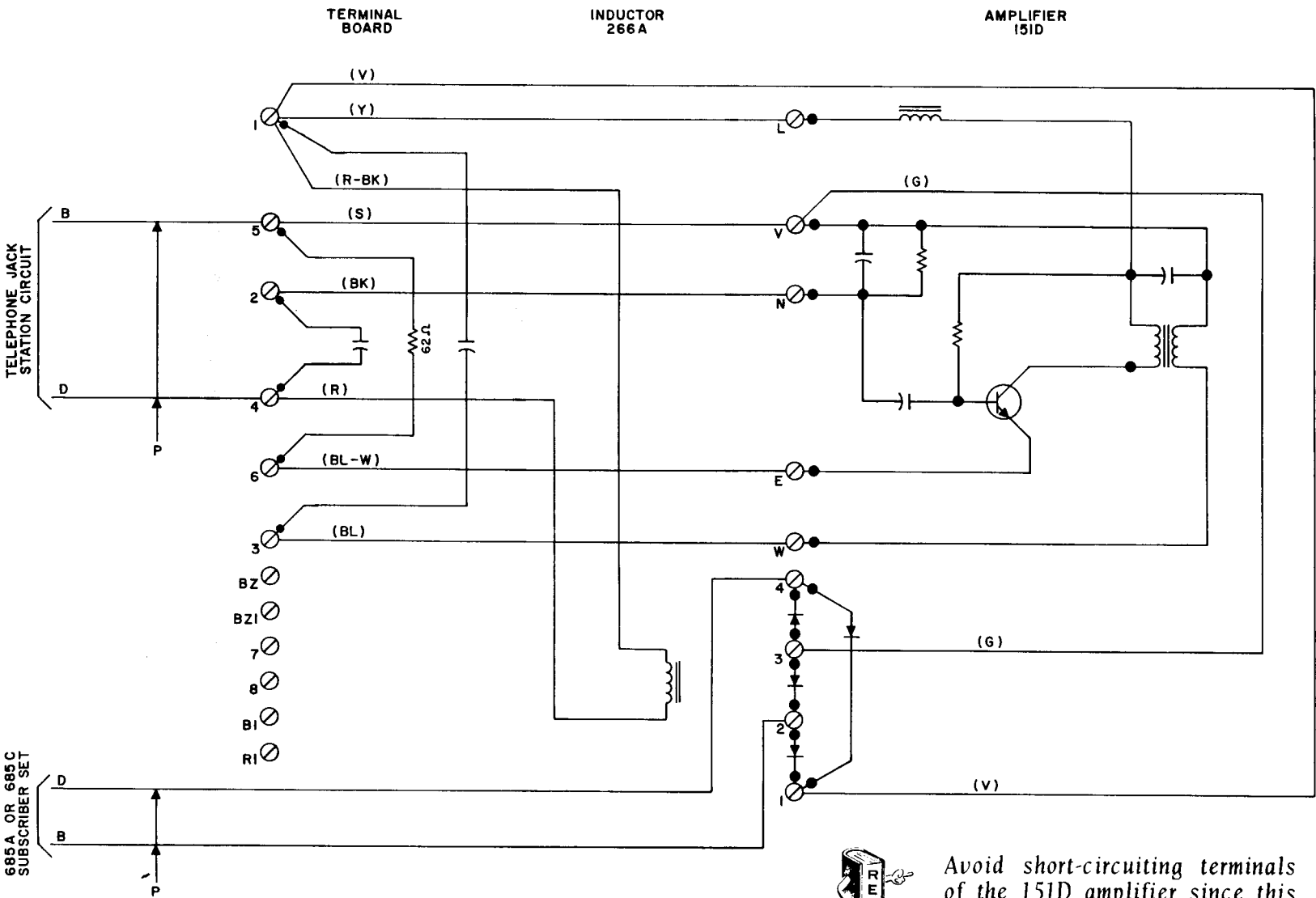


SUBSCRIBER SETS—687D



Avoid short-circuiting terminals of the 151D amplifier since this may cause damage to transistor.

Fig. 1 - Circuit Diagram for Connection with Telephone Jack Station