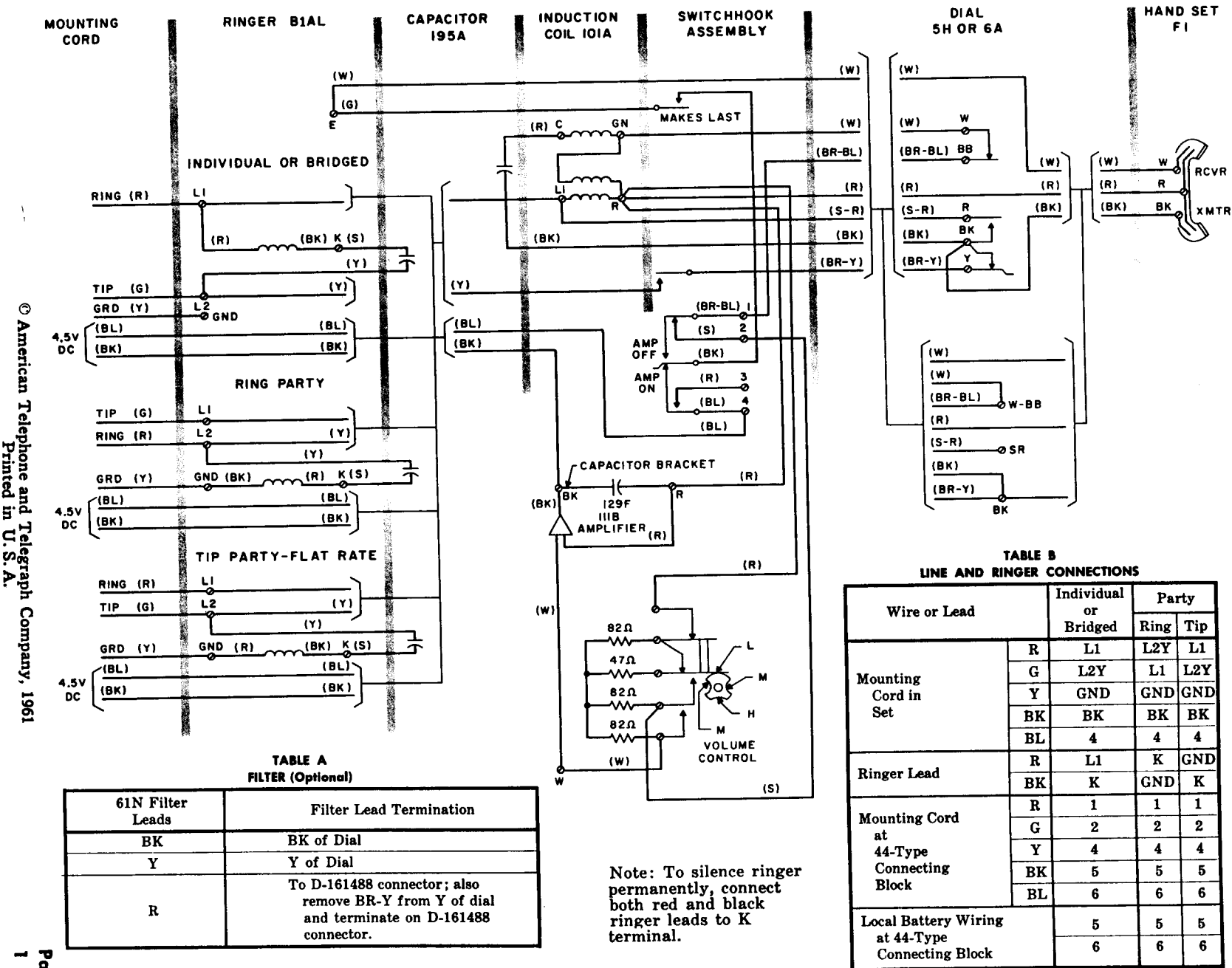


841 B

TELEPHONE SETS — 332A, C (AMPLIFIER SETS)
COMMON BATTERY — CONNECTIONS



**TABLE A
FILTER (Optional)**

61N Filter Leads	Filter Lead Termination
BK	BK of Dial
Y	Y of Dial
R	To D-161488 connector; also remove BR-Y from Y of dial and terminate on D-161488 connector.

Note: To silence ringer permanently, connect both red and black ringer leads to K terminal.

**TABLE B
LINE AND RINGER CONNECTIONS**

Wire or Lead	Individual or Bridged	Party	
		Ring	Tip
Mounting Cord in Set	R	L1	L2Y L1
	G	L2Y	L1 L2Y
	Y	GND	GND GND
	BK	BK	BK BK
	BL	4	4 4
Ringer Lead	R	L1	K GND
	BK	K	GND K
Mounting Cord at 44-Type Connecting Block	R	1	1 1
	G	2	2 2
	Y	4	4 4
	BK	5	5 5
Local Battery Wiring at 44-Type Connecting Block	BL	6	6 6
		5	5 5
		6	6 6

Fig. 1 — 332 A, C Telephone Sets