

TELEPHONE SETS—KS-14476, LISTS 1 AND 2

EXPLOSIVE ATMOSPHERES

IDENTIFICATION, CONNECTIONS, AND MAINTENANCE

1. GENERAL

1.01 This section contains information on the KS-14476, Lists 1 and 2 telephone sets.

1.02 This section is reissued to:

- Add new network and dial
- Change Fig. 4, 5, and 6
- Add Fig. 7, 8, and 9



Before performing any work on the KS-14476 telephone set, craftsperson must be familiar with section entitled Telephone Sets, Explosive Atmospheres, General Requirements. (Refer to Section 502-415-100.)

WARNING: Telephone apparatus or wiring shall not be installed in a location where acetylene may become present in the atmosphere.

2. IDENTIFICATION

2.01 The KS-14476, List 1 is a dial telephone set. The KS-14476, List 2 is a manual telephone set (Fig. 1). Dial sets shall not be converted to manual sets or vice versa.

2.02 Ringer, dial, and switchhook assemblies inside housing of KS-14476, List 1 set are connected to shafts which transmit the required motion through housing (Fig. 2). Ringer gongs are exposed on bottom of set.



Fig. 1—KS-14476, List 2 Manual Telephone Set

2.03 Dial is operated by an external fingerwheel and a threaded shaft extending through housing (Fig. 3).

2.04 A Crouse Hinds type GU-1-22 Condulet equipped with a CB-1124 connecting block, or approved equivalent, shall be installed at the end of conduit run near telephone set for connecting mounting cord to line wire. Cord bushing screws directly into a threaded opening in Condulet (Fig. 1).

NOTICE

Not for use or disclosure outside the
Bell System except under written agreement

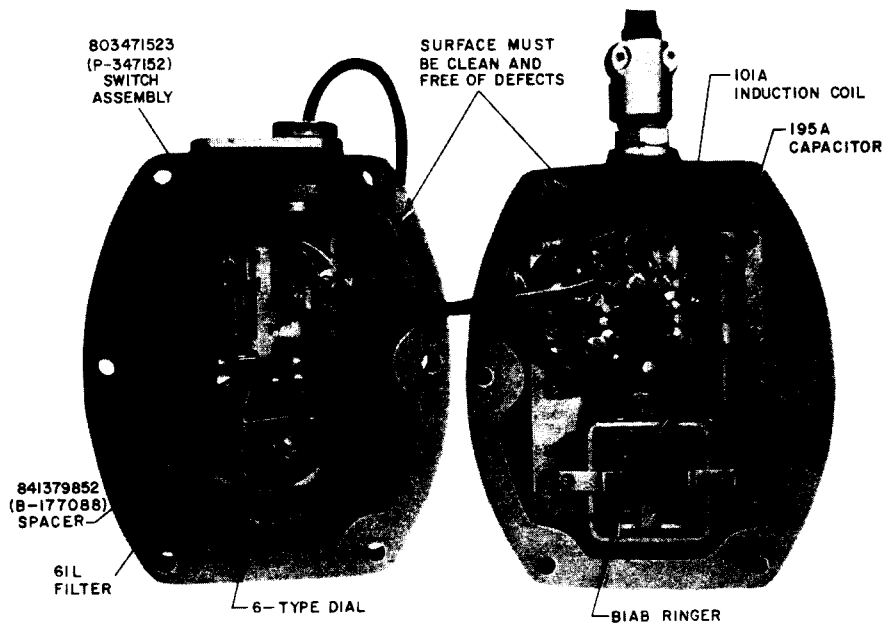


Fig. 2—KS-14476, List 1 Dial Telephone Set (Manufactured Before 1-31-78)

2.05 Current production sets are equipped with a G11B4-03 handset and a 4-conductor handset cord.

3. CONNECTIONS

Caution: Prior to connecting the line wire at the protector, the following steps should be completed.

- (a) Make all necessary connections inside set.
- (b) Assemble set and tighten all six bolts.
- (c) Fasten mounting cord bushing securely to conduit and seal conduit.

3.01 To remove the housing a 5/16-inch Allen wrench is required to remove the six bolts holding the main housing together.

3.02 For 3-conductor mounting cord operation, refer to Fig. 4 for List 1 or Fig. 5 for List 2 set.

3.03 For 4-conductor mounting cord operation, refer to Fig. 6 or 8 for List 1 or Fig. 7 or 9 for List 2 set.

4. MAINTENANCE

Warning: Before removing apparatus unit for any reason, be sure line wires are disconnected at protector. Defects due to any cause, even through seemingly slight, shall be corrected without delay.

4.01 Sets requiring repairs should be removed from service and returned to a Western Electric Service Center.

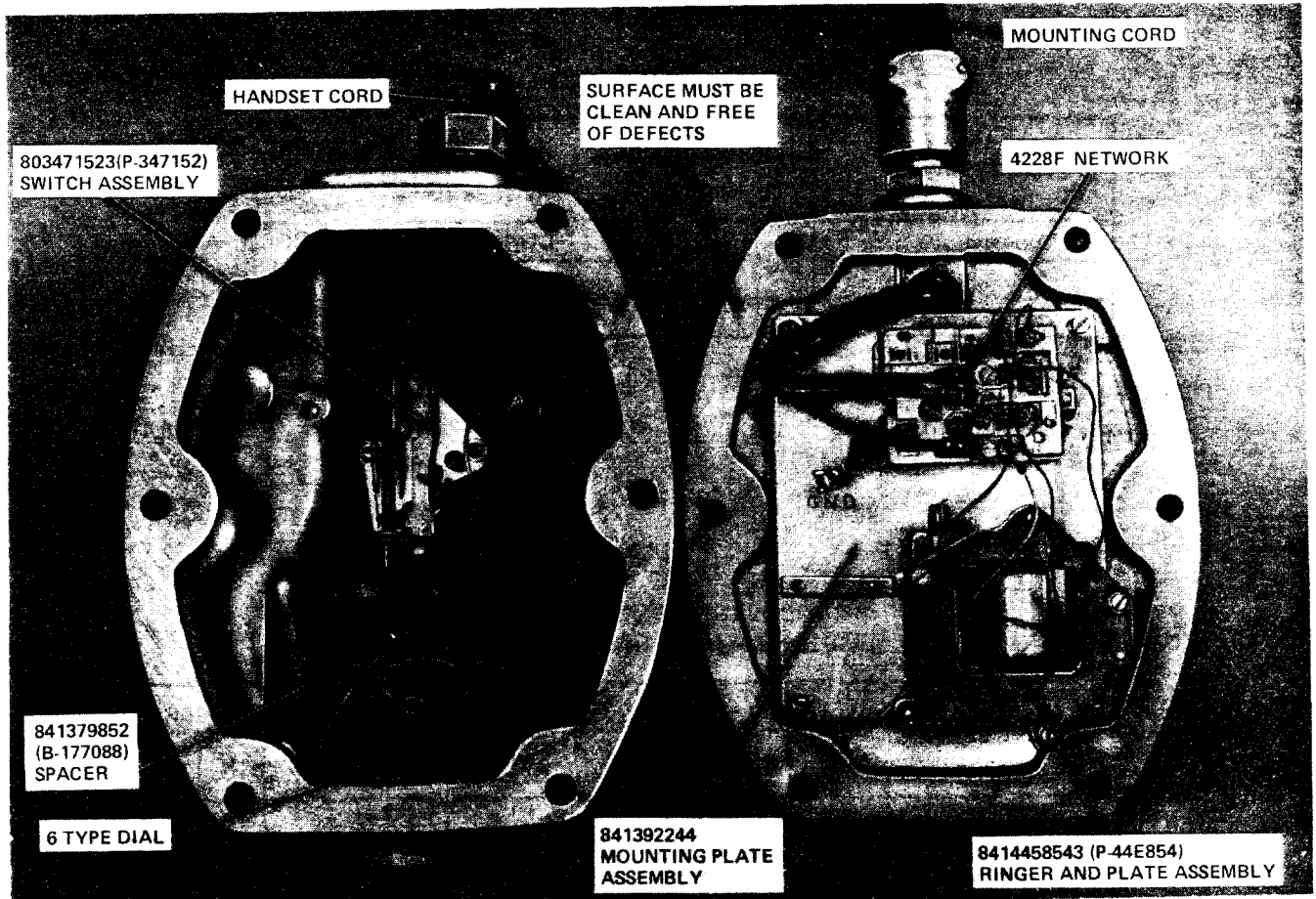


Fig. 3—KS-14476, List 1 Dial Telephone Set (Manufactured After 2-1-78)

◆ TABLE A ◆

3-CONDUCTOR MOUNTING CONNECTIONS

RINGING SERVICE*	LINE			CORD			RINGER	
	TIP	RING	STA GRD	BK	G	W	R	BK
Bridged	G	BK	W	L1	L2	G	L1	K
Tip Party	G	BK	W	L1	L2	G	G	K
Ring Party	BK	G	W	L1	L2	G	K	G

* No message rate or tip party identification can be provided.

◆ TABLE B ◆

4-CONDUCTOR MOUNTING CONNECTIONS
(SETS MANUFACTURED BEFORE 1-31-78)

RINGING SERVICE	LINE				CORD				RINGER	
	TIP	RING	STA GRD	STA GRD	R	G	W	BK	R	BK
Bridged	G	R	W	BK	L1	L2	G	*	L1	K
Tip Party	G	R	W	BK	L1	L2	G	*	G	K
Ring Party	R	G	W	BK	L1	L2	G	*	K	G

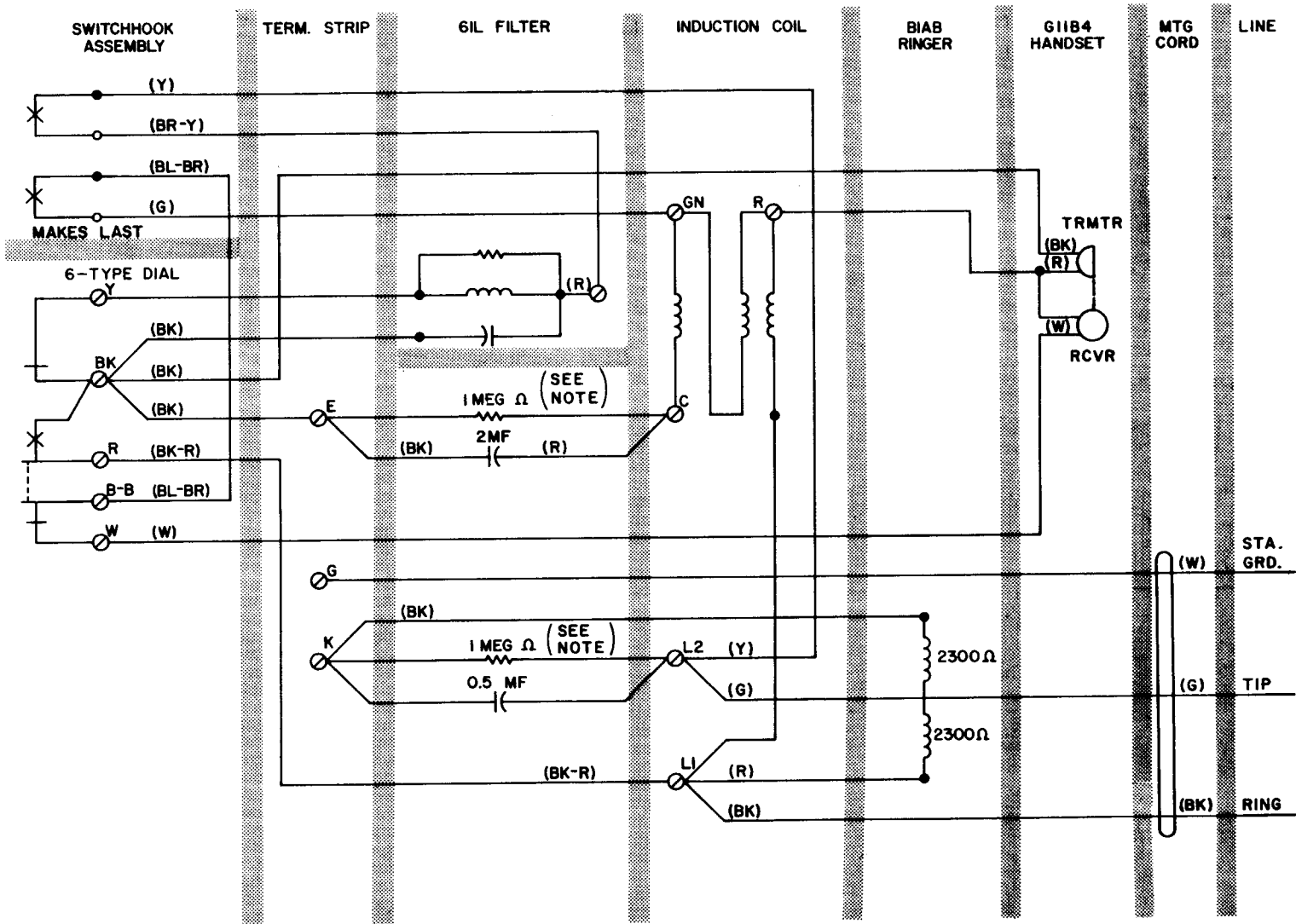
* Connect to terminal strip mounting screw in set.

◆ TABLE C ◆

4-CONDUCTOR MOUNTING CONNECTIONS
(SETS MANUFACTURED AFTER 2-1-78)

RINGING SERVICE	LINE				CORD				RINGER	
	TIP	RING	STA GRD	STA GRD	R	G	W	BK	R	BK
Bridged	G	R	W	BK	L1	L2	G	*	L1	K
Tip Party	G	R	W	BK	L1	L2	G	*	G	K
Ring Party	R	G	W	BK	L1	L2	G	*	K	G

* Connect to ground terminal in set.



NOTE: INSULATE RESISTOR LEADS WITH PLASTIC TUBING. MOUNT RESISTORS WITH THEIR OWN LEADS.

Fig. 4— Φ KS-14476, List 1 Dial Telephone Set with 3-Conductor Cord Φ

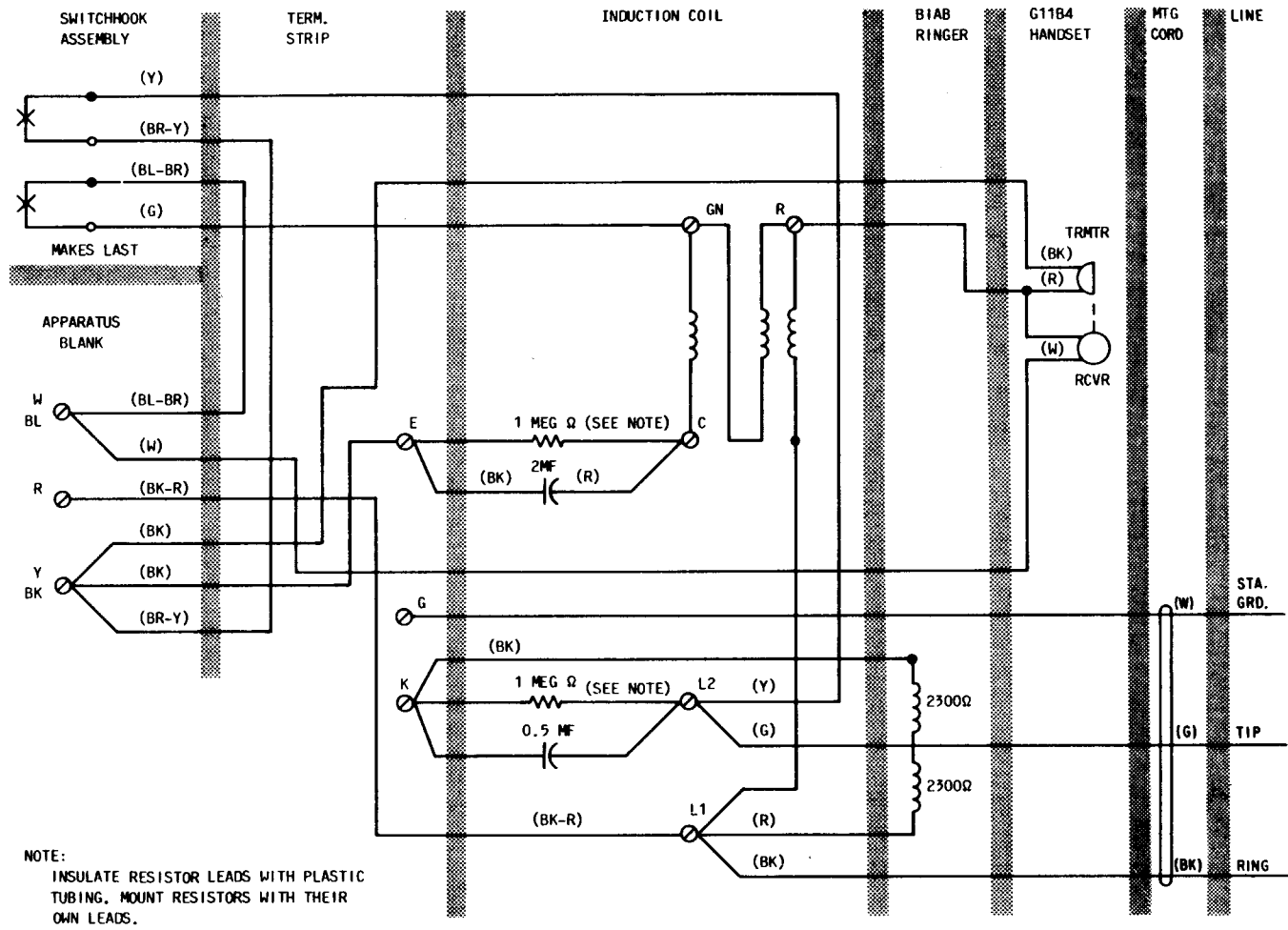
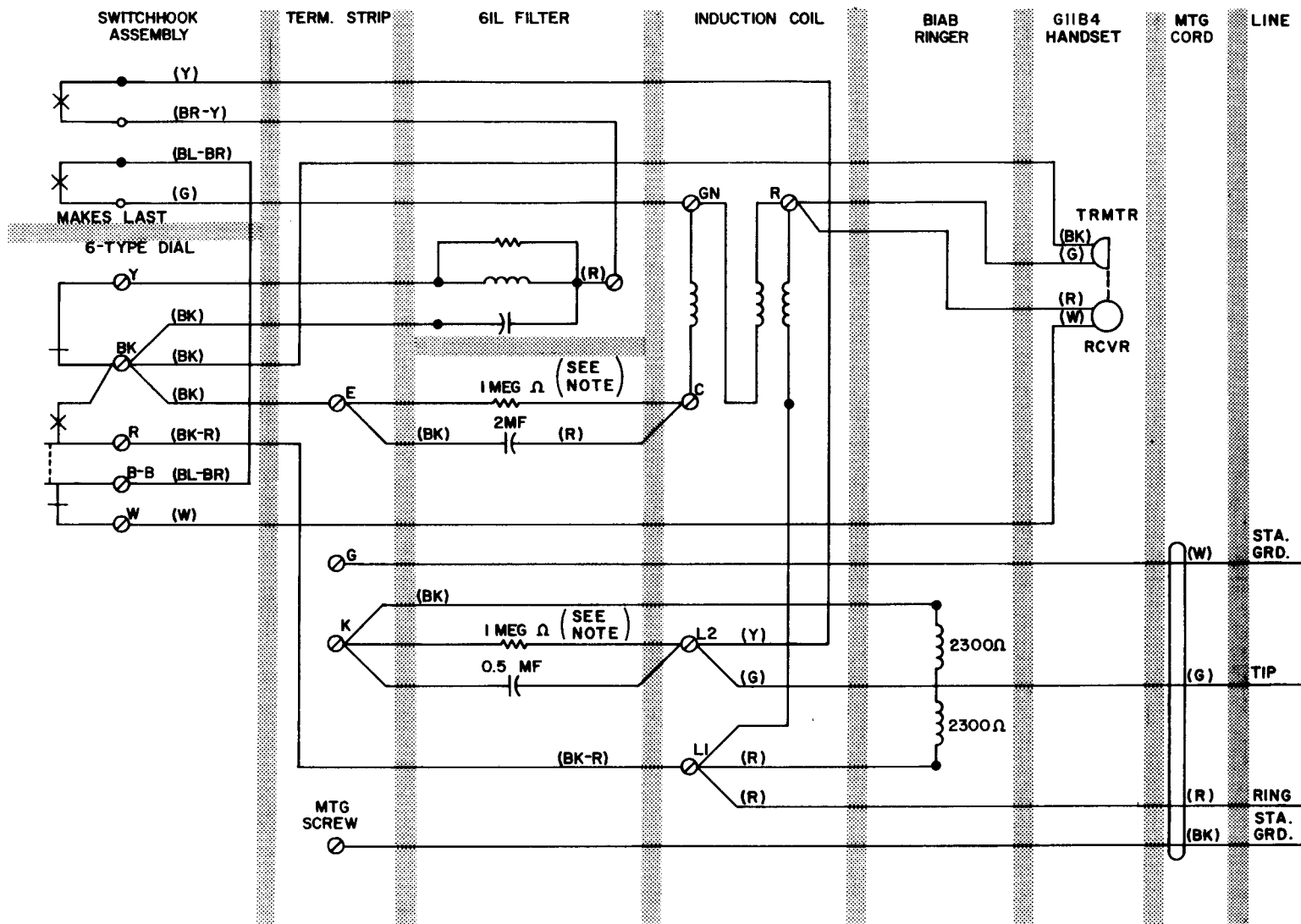


Fig. 5—KS-14476, List 2 Manual Telephone Set with 3-Conductor Cord



NOTE: INSULATE RESISTOR LEADS WITH PLASTIC TUBING. MOUNT RESISTORS WITH THEIR OWN LEADS.

Fig. 6—KS-14476, List 1 Dial Telephone Set With 4-Conductor Cord (Manufactured Before 1-31-78)

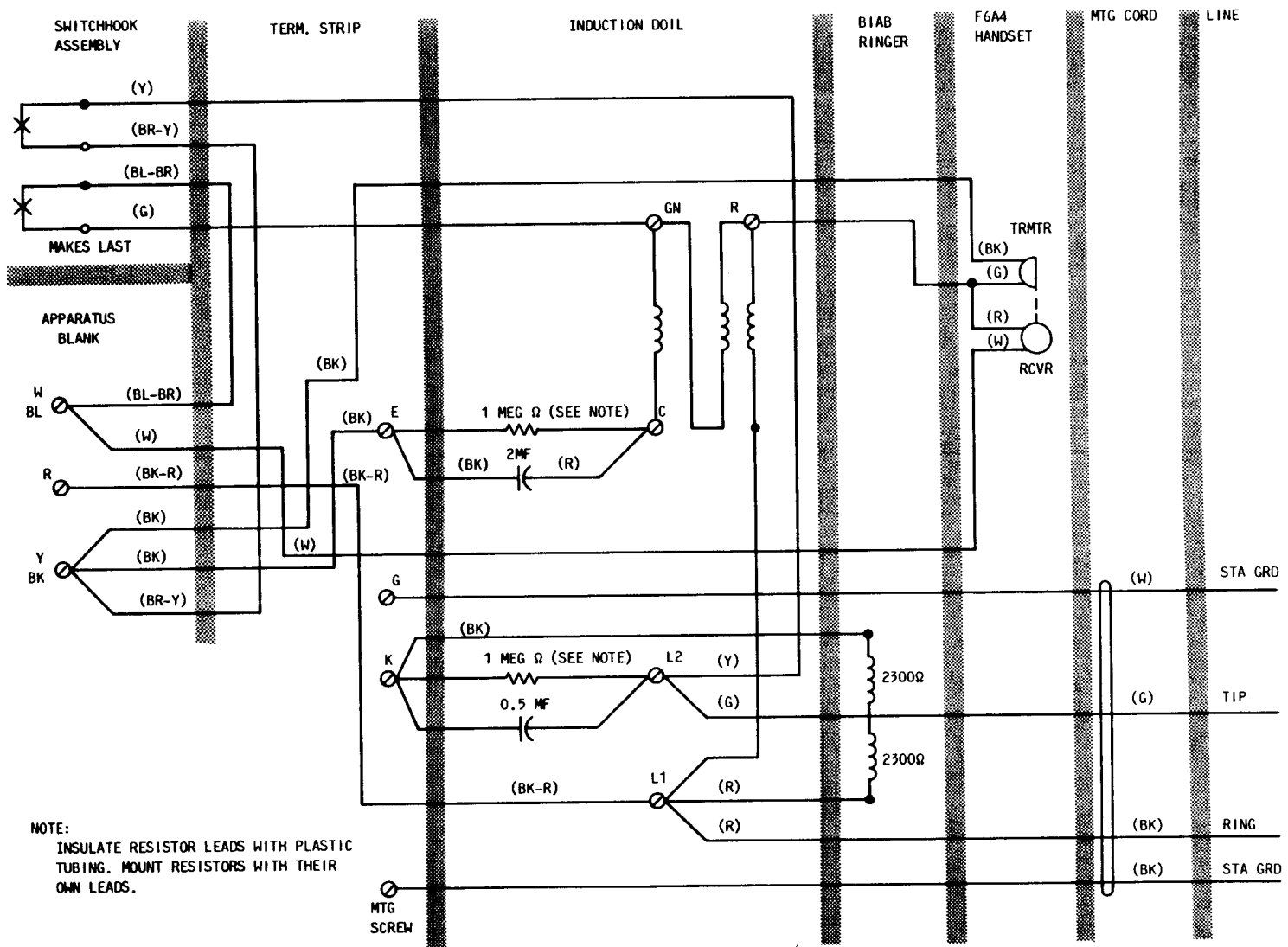


Fig. 7—KS-14476, List 2 Manual Telephone Set with 4-Conductor Cord (Manufactured Before 1-31-78)♦

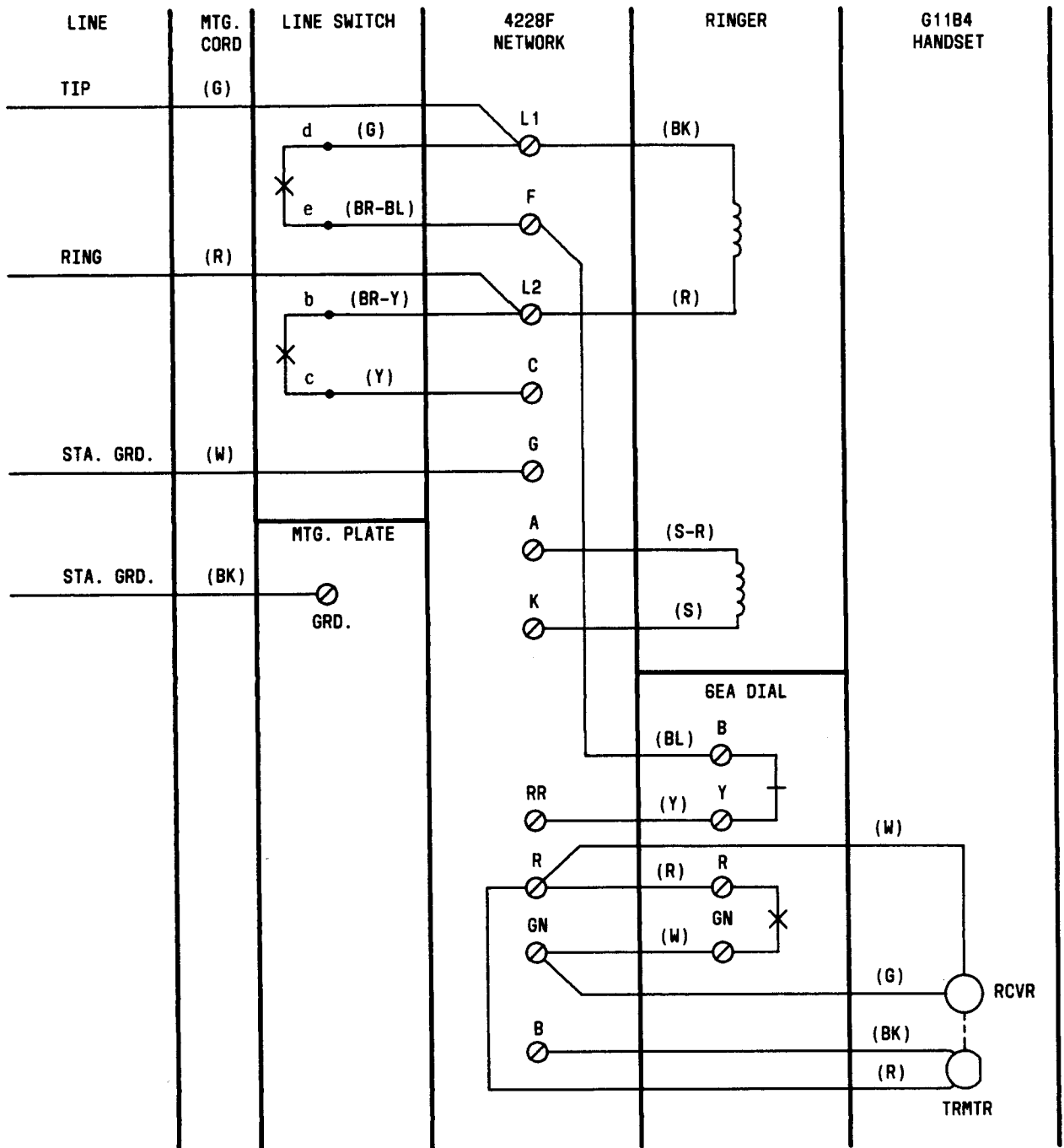


Fig. 8—KS-14476, List 1 Dial Telephone Set with 4-Conductor Cord (Manufactured After 2-1-78)◆

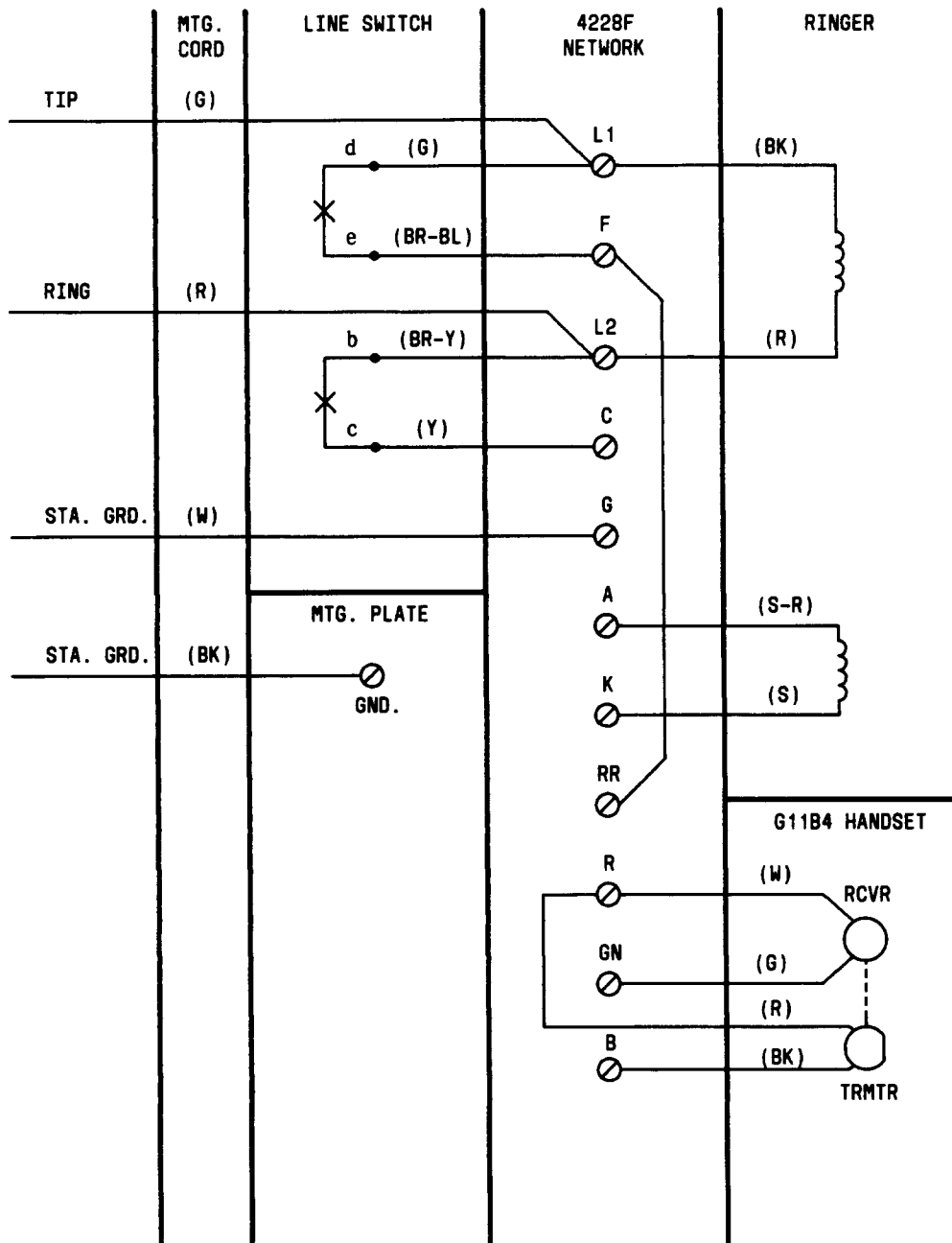


Fig. 9—♦KS-14476, List 2 Manual Telephone Set with 4-Conductor Cord (Manufactured After 2-1-78)♦