

## SERVICE

### 1502B TELEPHONE SETS

#### 1. GENERAL

1.01 Reissued to add nontechnical changes to Fig. 1, 2, and Table A.

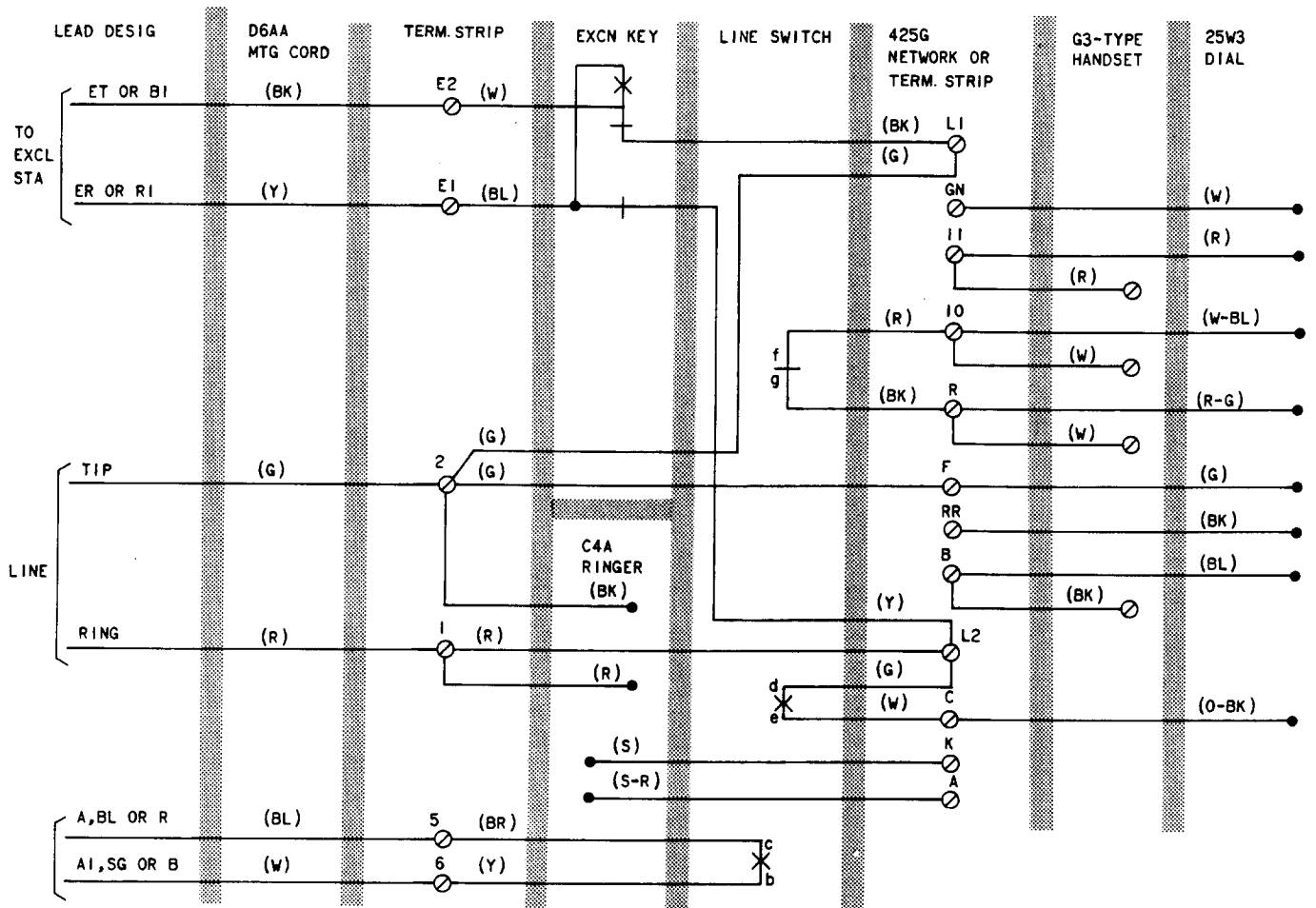
TABLE A  
POLARITY GUARD CONNECTIONS  
(P-90D052 GUARD ASSEMBLY)

LEAD	COLOR	REMOVE FROM	CONNECT TO	
		NET.	NET.	POLARITY GUARD
Dial	(BK)	RR		T
Line Switch	(W) [S-BR]	C		S
Polarity Guard	(W)		C	
	(G)		RR	

Note: For use when specified by local instructions for end-to-end signaling installations.

( ) Current color code.

[ ] MD color code.



NOTES:

1. TO SILENCE RINGER PERMANENTLY,  
REMOVE (BK) RINGER LEAD FROM  
TERMINAL 2, INSULATE AND STORE.

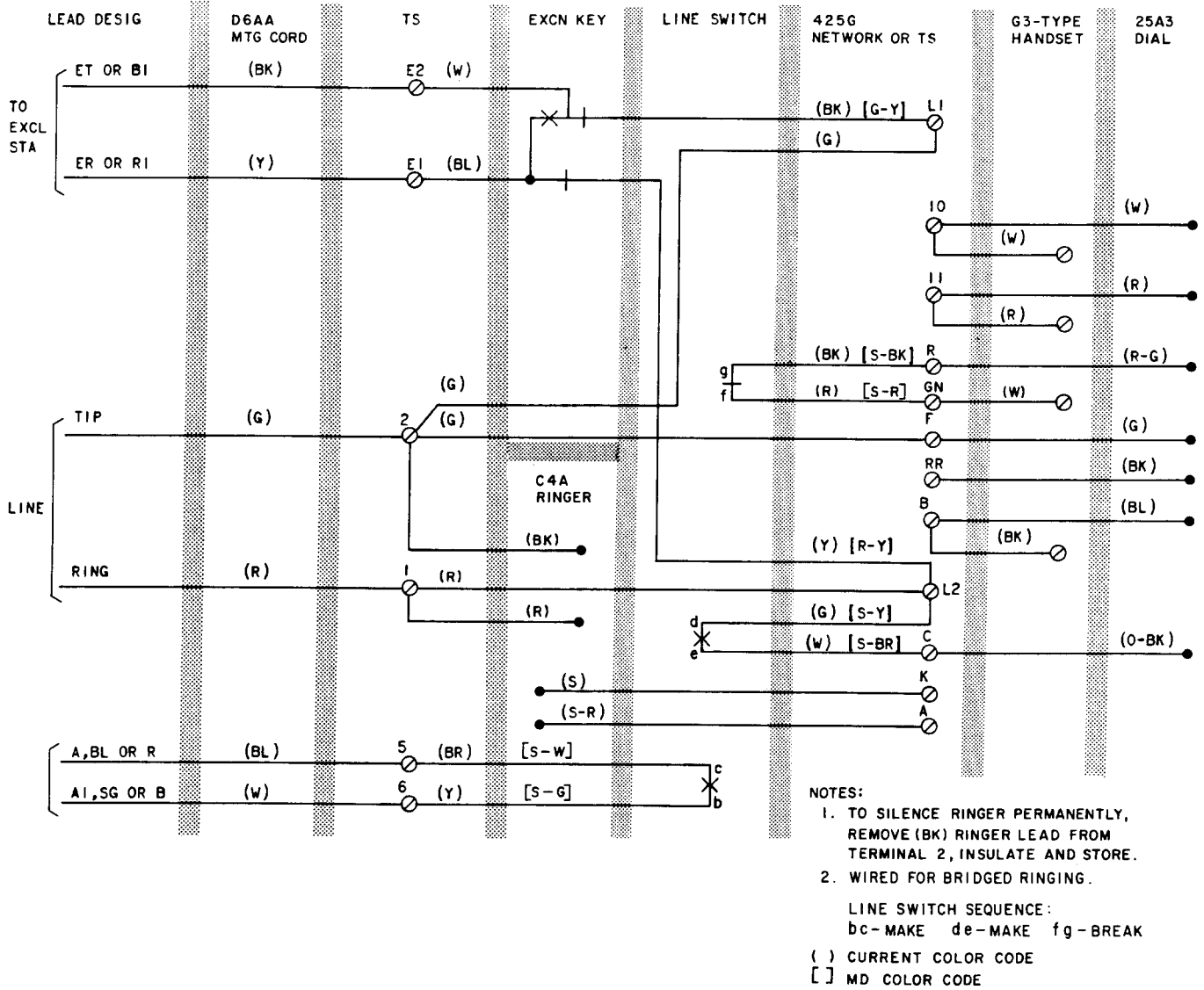
2. WIRED FOR BRIDGED RINGING.

( ) CURRENT COLOR CODE  
[ ] MD COLOR CODE

LINE SWITCH SEQUENCE:

bc-MAKE  
de-MAKE  
fg-BREAK

Fig. 1—1502B (MD) Telephone Set Connections, Equipped With 25W3 (MD) Dial



▶Fig. 2—1502B (MD) Telephone Set Connections, Equipped With 25A3 (MD) Dial ◀