

SERVICE

1510F TELEPHONE SETS

1. GENERAL

1.01 Reissued to add nontechnical changes to Fig. 1, 2, and Table A.

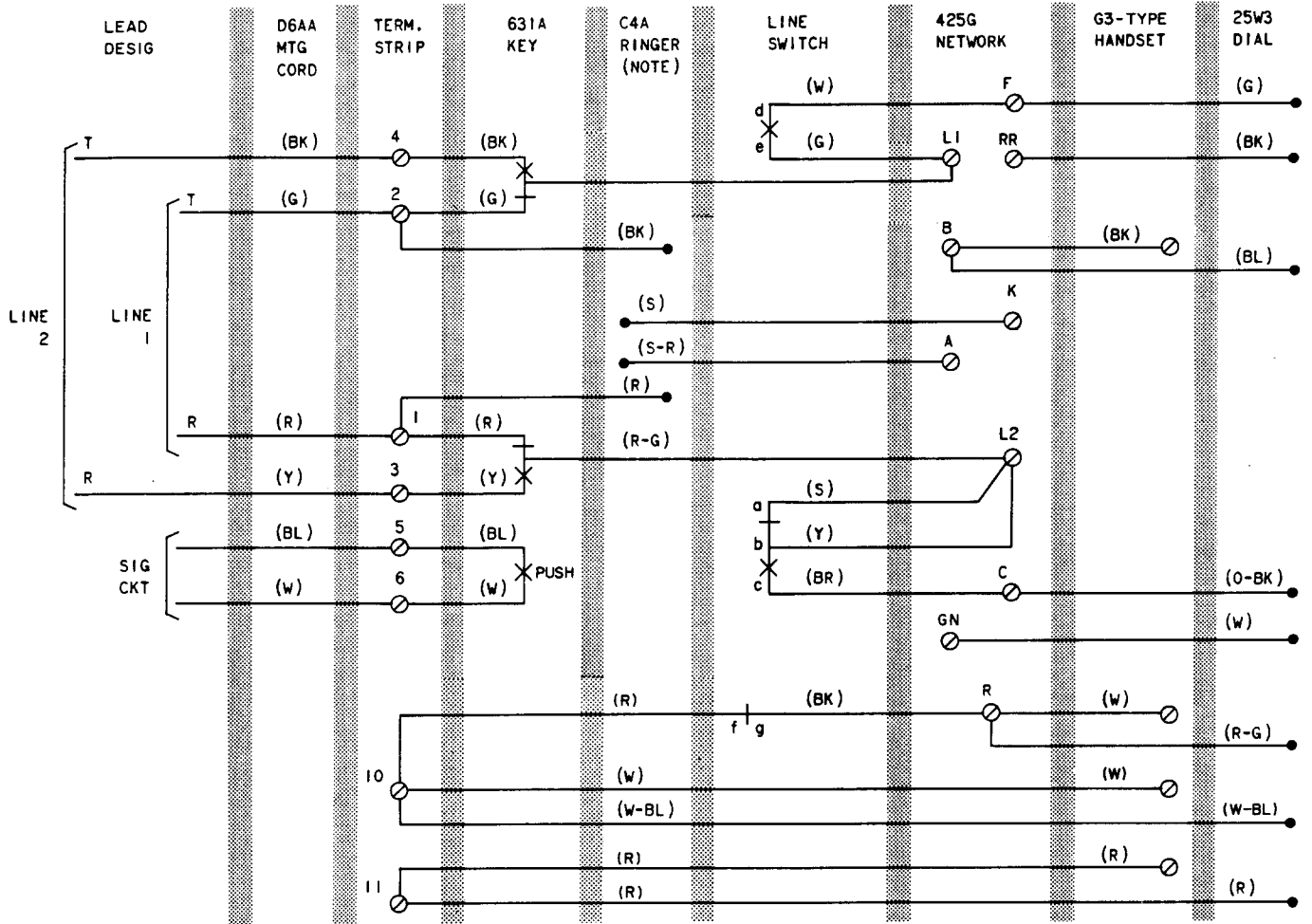
TABLE A
POLARITY GUARD CONNECTIONS
(P-90D052 GUARD ASSEMBLY)

LEAD	COLOR	REMOVE FROM	CONNECT TO	
		NET.	NET.	POLARITY GUARD
Dial	(BK)	RR		T
Line Switch	(BR) [S-BR]	C		S
Polarity Guard	(G)		RR	
	(W)		C	

Note: For use when specified by local instructions for end-to-end signaling installations.

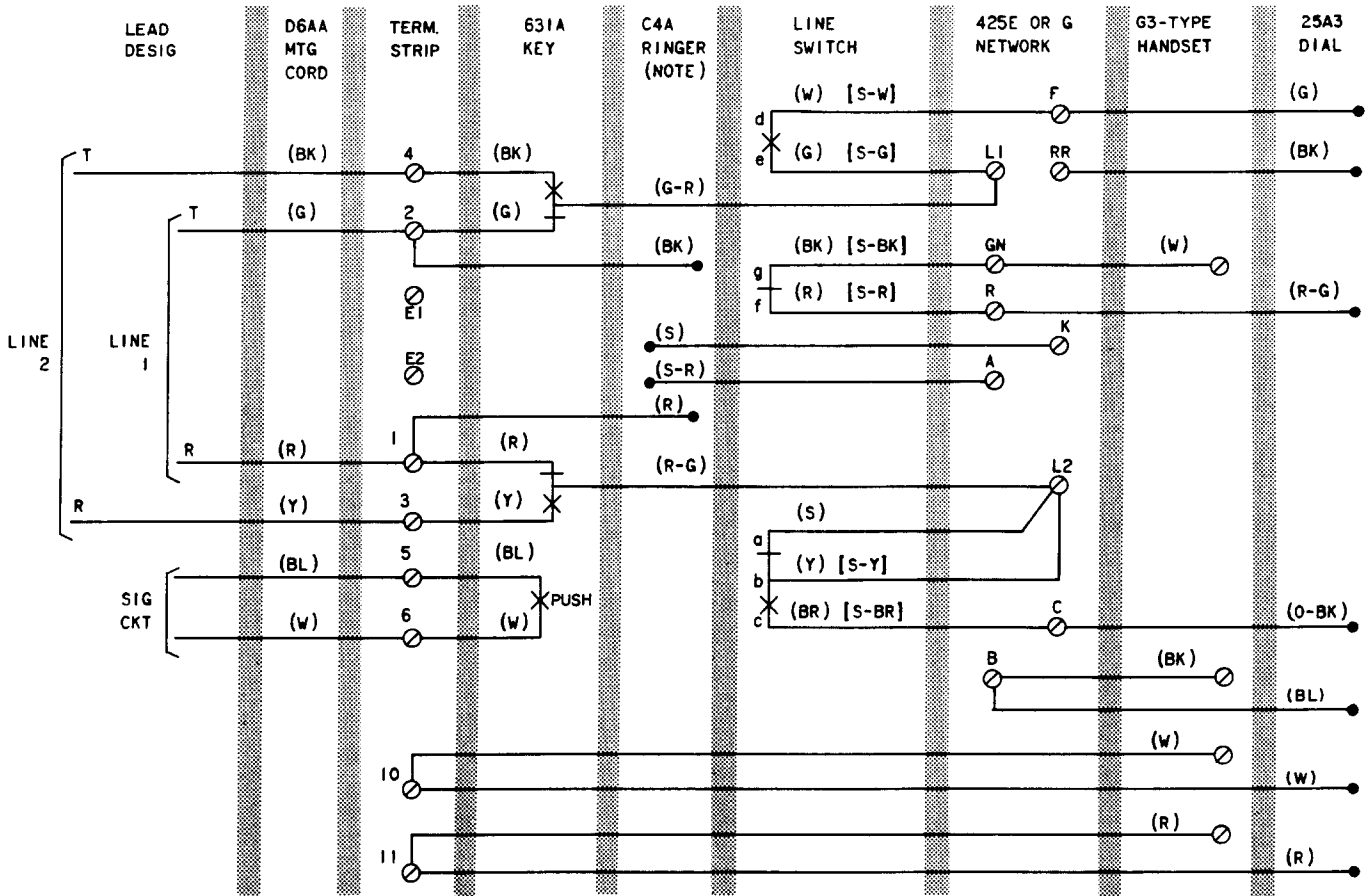
() Current color code.

[] MD color code.



NOTE:
 CONNECTIONS SHOWN ARE FOR RINGING ON LINE 1. TO RING ON LINE 2, MOVE (R) AND (BK) RINGER LEADS TO TERMINALS 3 AND 4. TO SILENCE RINGER, CONNECT (BK) TO K TERMINAL.
 LINE SWITCH SEQUENCE:
 bc - MAKE
 de - MAKE
 ab - BREAK
 fg - BREAK

◆Fig. 1—1510F (MD) Telephone Set Connections With 25W3 (MD) Dial, 2-Line Pickup and Signaling



NOTE:
 CONNECTIONS SHOWN ARE FOR RINGING ON LINE 1. TO RING ON LINE 2, MOVE (R) AND (BK) RINGER LEADS TO TERMINALS 3 AND 4. TO SILENCE RINGER, CONNECT (BK) TO K TERMINAL.
 () CURRENT COLOR CODE
 [] MD COLOR CODE

LINE SWITCH SEQUENCE:
 bc - MAKE
 de - MAKE
 ab - BREAK
 fg - BREAK

Fig. 2—1510F (MD) Telephone Set Connections With 25A3 (MD) Dial, 2-Line Pickup and Signaling