

SERVICE
1511F/H TELEPHONE SETS

1. GENERAL

1.01 Reissued to add nontechnical changes and MD information to Fig. 1, 2, and Table A.

♦ **TABLE A** ♦

POLARITY GUARD CONNECTIONS
(P-90D052 GUARD ASSEMBLY)

LEAD	COLOR	REMOVE FROM	CONNECT TO	
		NET.	POLARITY GUARD	NET.
Dial	BK G-W*	RR C	T S	
Line Switch	W	C	S	
Polarity Guard	G W			RR C

Note: For use when specified by local instructions for end-to-end signaling installations.

* Lead exists on 25Y3 (MD) dial only.

SECTION 502-532-408

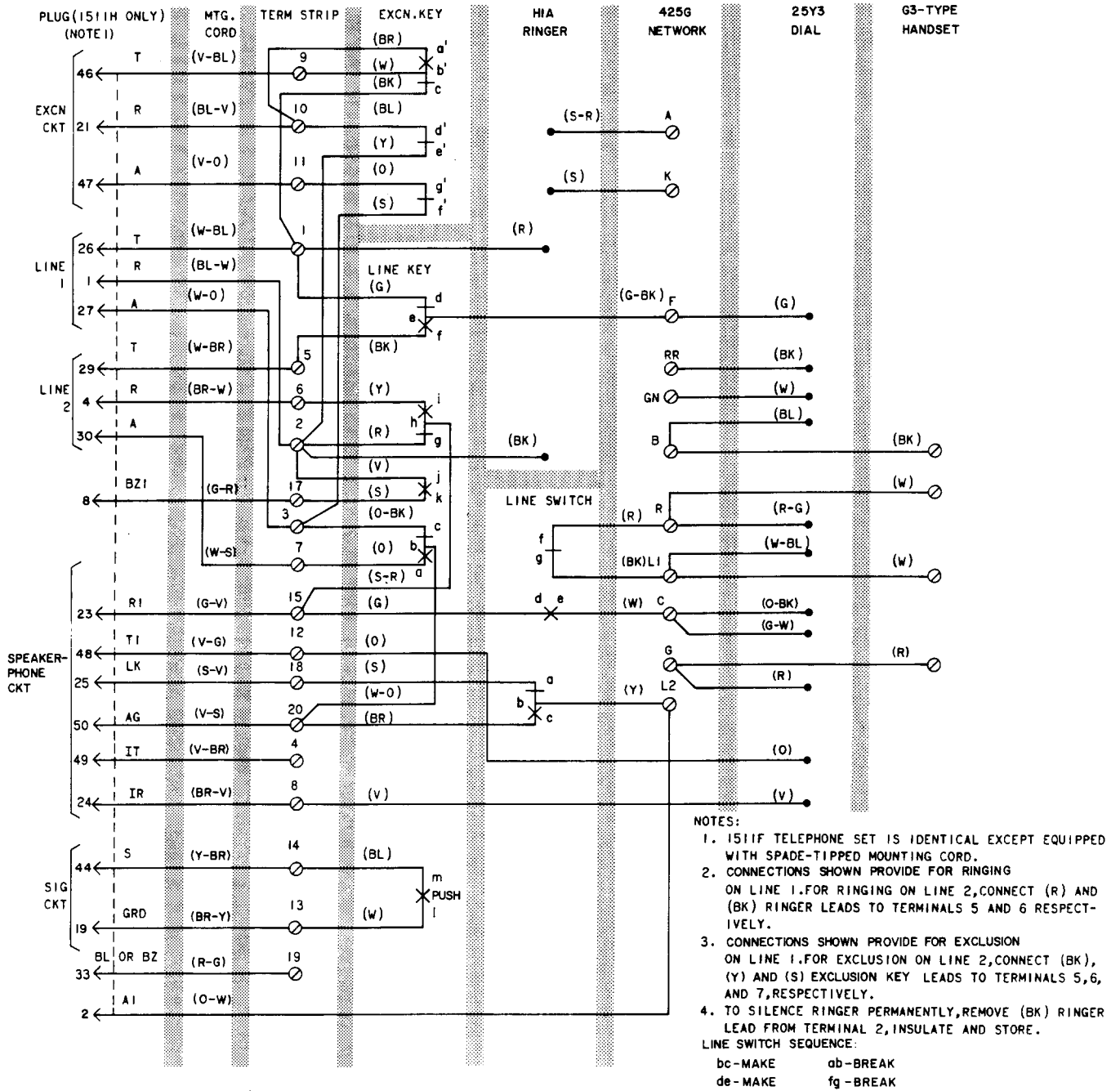
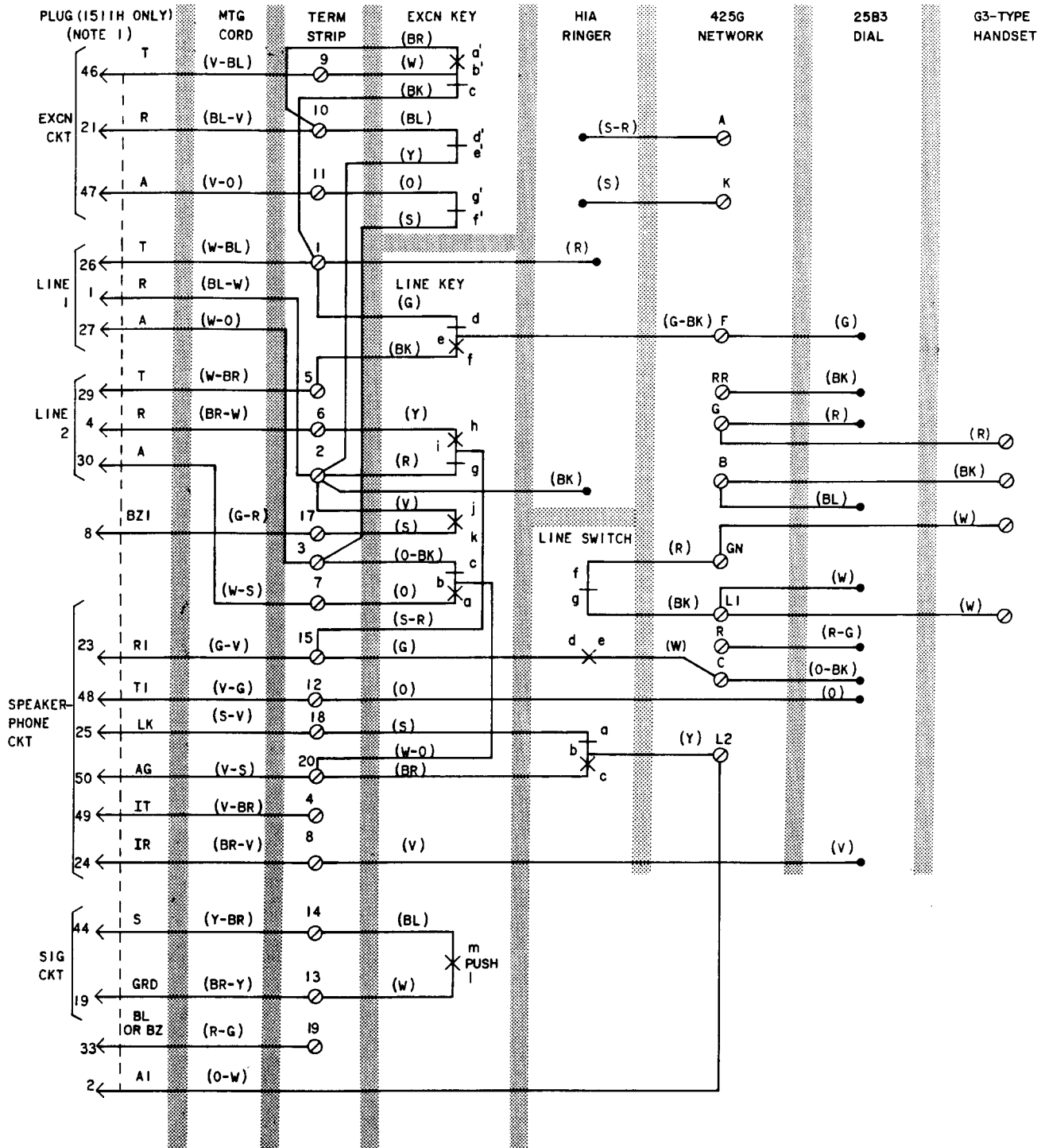


Fig. 1—1511F/H (MD) Telephone Set Connections, Equipped With 25Y3 (MD) Dial



NOTES:

1. 1511F TELEPHONE SET IS IDENTICAL EXCEPT EQUIPPED WITH SPADE-TIPPED MOUNTING CORD.
2. CONNECTIONS SHOWN PROVIDE FOR RINGING ON LINE 1. FOR RINGING ON LINE 2, CONNECT (R) AND (BK) RINGER LEADS TO TERMINALS 5 AND 6 RESPECTIVELY.

3. CONNECTIONS SHOWN PROVIDE FOR EXCLUSION ON LINE 1. FOR EXCLUSION ON LINE 2, CONNECT (BK), (Y), AND (S) EXCLUSION KEY LEADS TO TERMINALS 5, 6, AND 7, RESPECTIVELY.
 4. TO SILENCE RINGER PERMANENTLY, REMOVE (BK) RINGER LEAD FROM TERMINAL 2, INSULATE AND STORE.
- LINE SWITCH SEQUENCE:
 bc - MAKE ab - BREAK
 de - MAKE fg - BREAK

Fig. 2—1511F/H (MD) Telephone Set Connections, Equipped With 25B3 (MD) Dial