

SERVICE

569NB AND 569NBM TELEPHONE SETS

1. GENERAL

1.01 This section contains connection information for the 569NBM and 569NB (MD) telephone sets. These sets are intended for use with various types of data sets.

1.02 Resissued to:

- Add the 569NBM (modular) telephone set
- Show 569NB (MD)

NOTICE

Not for use or disclosure outside the
Bell System except under written agreement

SECTION 502-541-430

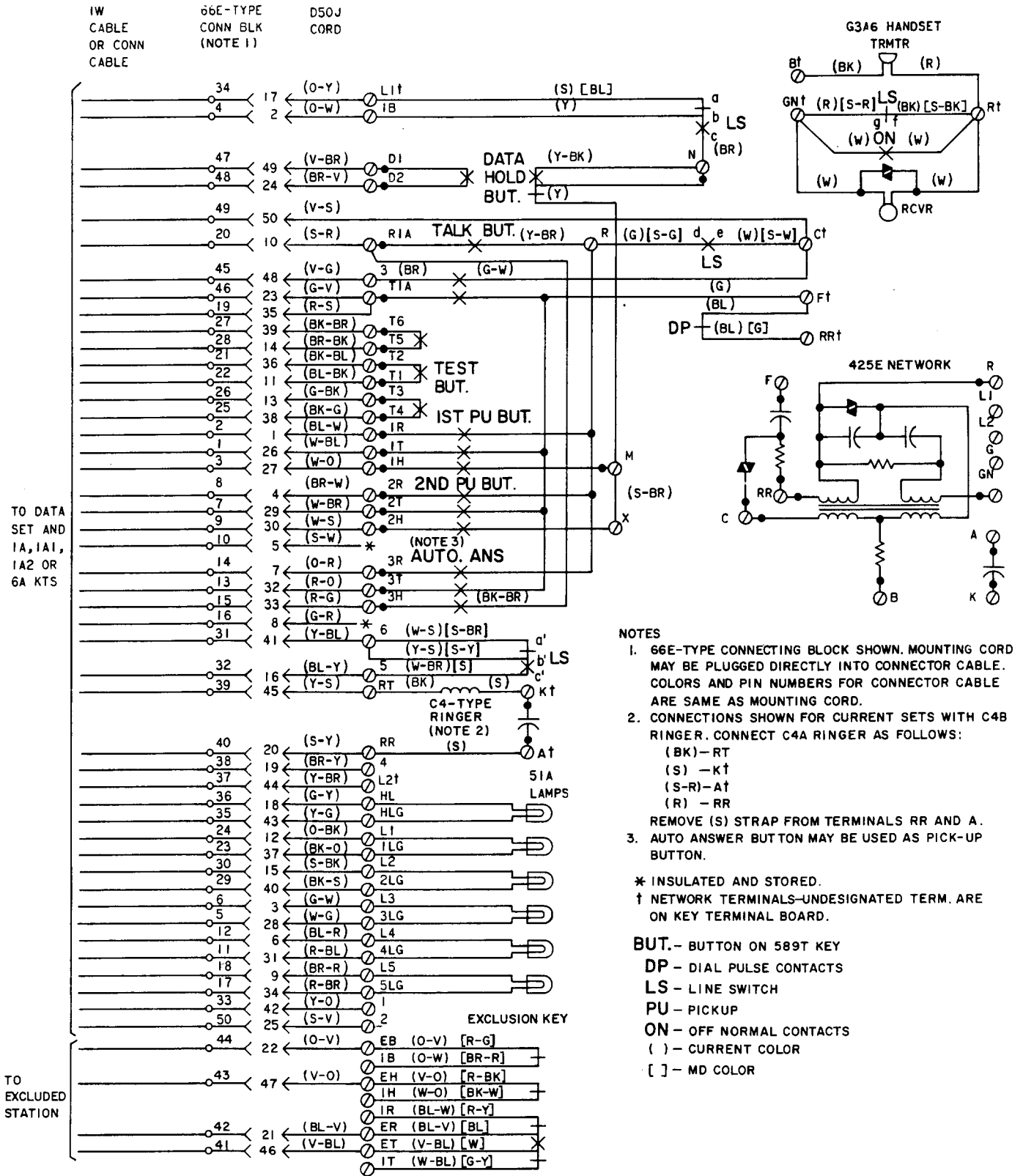
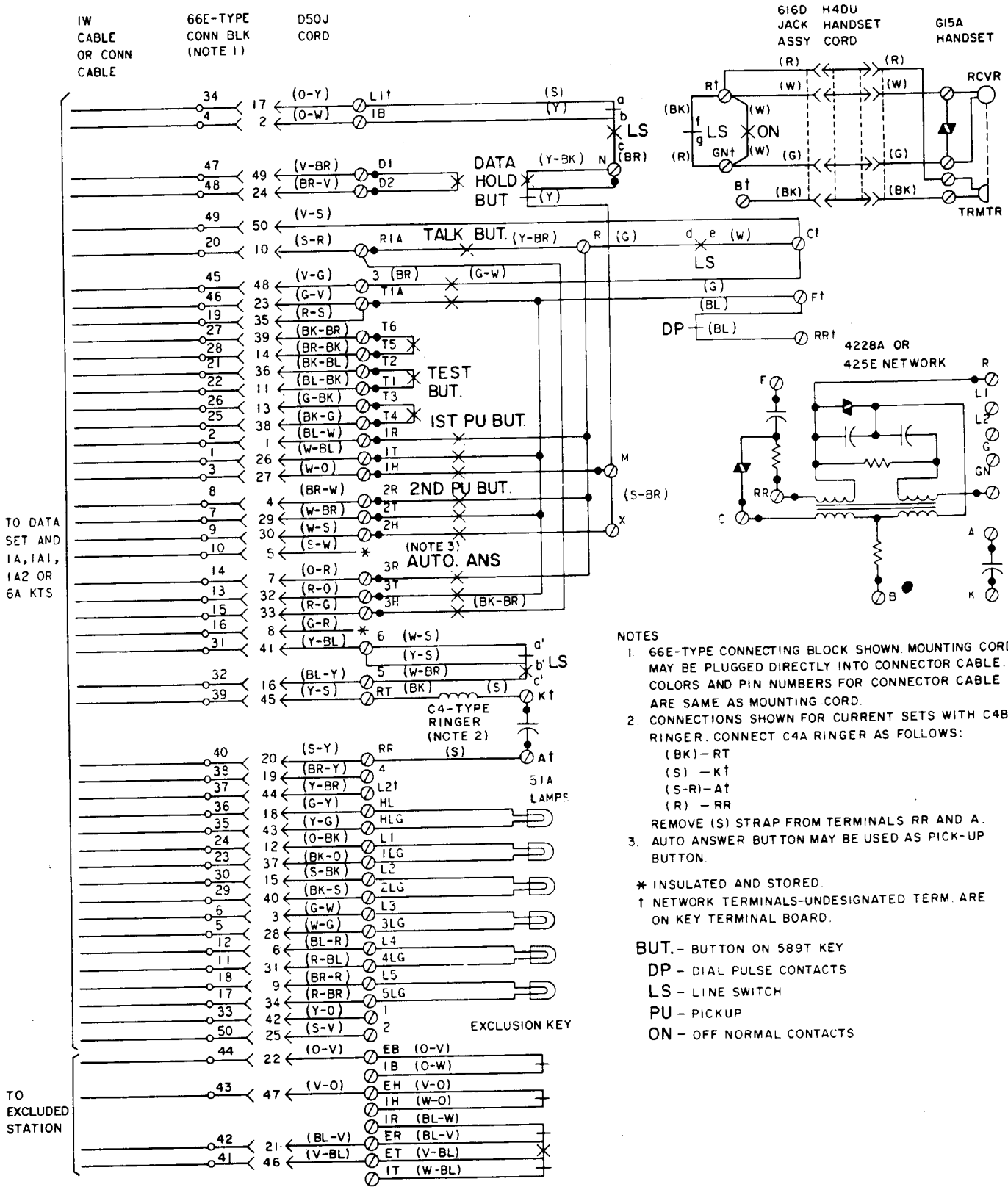


Fig. 1—569NB (MD) Telephone Set, Connections



- NOTES**
- 66E-TYPE CONNECTING BLOCK SHOWN. MOUNTING CORD MAY BE PLUGGED DIRECTLY INTO CONNECTOR CABLE. COLORS AND PIN NUMBERS FOR CONNECTOR CABLE ARE SAME AS MOUNTING CORD.
 - CONNECTIONS SHOWN FOR CURRENT SETS WITH C4B RINGER. CONNECT C4A RINGER AS FOLLOWS:
 (BK) - RT
 (S) - K†
 (S-R) - A†
 (R) - RR
 REMOVE (S) STRAP FROM TERMINALS RR AND A.
 - AUTO ANSWER BUTTON MAY BE USED AS PICK-UP BUTTON.
- * INSULATED AND STORED.
 † NETWORK TERMINALS—UNDESIGNATED TERM. ARE ON KEY TERMINAL BOARD.
- BUT.** - BUTTON ON 589T KEY
DP - DIAL PULSE CONTACTS
LS - LINE SWITCH
PU - PICKUP
ON - OFF NORMAL CONTACTS

Fig. 2—569NBM Telephone Set, Connections