

SERVICE

2564HL, 2564HLM, AND 2564HLMS TELEPHONE SETS

MAINTENANCE AND CONNECTIONS

1. GENERAL

1.01 This section contains information for the 2564HL (MD), 2564HLM (MD), and 2564HLMS telephone sets (Fig. 1, 2, and 3). For common installation and maintenance information, refer to Section 502-500-120.

1.02 Reissued to:

- Show 819040528 (P-90D052) polarity guard rated MD
- Add information on D-181006 Kit of Parts (includes 840364376 polarity guard)
- Revise Fig. 4.

1.03 The 2564HLMS set is similar to the 2564HLM except the line switch assembly breaks both tip and ring sides of the line, instead of ring side of the line only.

2. MAINTENANCE

A. Components

2.01 Maintenance of handsets, dials, and ringers is outlined in sections covering these components.

2.02 These telephone sets are factory-equipped with a KS-20419L1 (10 volt ac only) buzzer.

B. Removing and Replacing Housing

2.03 To remove housing, remove handset cord plug at telephone set. Loosen captive screws in base of set. Lift housing up and toward front of set.

2.04 To replace housing, guide lower front of housing over pushbuttons, align housing with base of set, and gently press housing into place. Tighten captive screws in base of set. Install handset cord in telephone set.

C. Mounting Cords

2.05 Mounting cord conductors necessary for exclusion, speakerphone, or 1A KTS conversion are not provided.

2.06 Mounting cords designed for use with 636A key assemblies, feature slotted wafer sections for each line appearance. This allows easy arrangement of lines to pickup buttons.



No field maintenance should be performed on the plug of plug-ended mounting cords.

3. CONNECTIONS

3.01 These sets are factory-wired for use with 1A1, 1A2, 6A, or 6B key telephone systems (KTS). They are not equipped nor intended for use with exclusion, speakerphone, or 1A KTS.

3.02 Mounting cord leads are provided for illuminating the hold key position but 51A lamp is not furnished with set and must be ordered separately.

3.03 The 2564HLMS telephone set is furnished with the H1B ringer. Refer to notes in Fig. 1, 2, or 3 for ringer connection when bridged ringing on a particular line is desired.

3.04 All convertible key positions are supplied as pickup keys. To convert from pickup (locking) to signaling (nonlocking), remove the

NOTICE

Not for use or disclosure outside the
Bell System except under written agreement

TABLE A
PICKUP-SIGNAL KEY CONVERSION

CONVERTIBLE KEY OPTIONS	KEY LEADS			
	Y-BR	BR	S-R	BR-BK
HPPPPP	M	M	M	X
HPPPPS	M	M	M	SG
HPPSSS	M	M	SG	X
HPPSSS	M	X	SG	X
HPPP*P*S*	M	X	5H	N
HPP*P*P*S*	X	X	5H	N

* These pickup key options are used on private or inter-communicating lines with the signal key common to each line. The signal key will operate the signal circuit of each line when associated pickup key is depressed. Use S lead on 2nd, 3rd, or 4th pickup key as required and A1 lead for common signal ground.

811218924 (P-12A892) screw detail from key position involved. Make necessary wiring changes as shown in Table A.

3.05 A polarity guard is used only when specified by local instructions for end-to-end signaling when battery and ground reversals may be encountered.

3.06 When polarity guard is required with these sets, connect guard assembly as shown in Table B.

3.07 Connections for optional features are shown in Fig. 4.

TABLE B
**840364376 OR 819040528 (P-90D052) (MD) POLARITY
GUARD CONNECTIONS (See Note)**

LEAD	COLOR	REMOVE FROM	CONNECT TO	
		NET.	NET.	POLARITY GUARD
Line Switch	W	C		S
Dial	BK	RR		T
Polarity Guard	W		C	
	G		RR	

Note: The 840364376 polarity guard is part of the D-181006 Kit of Parts.

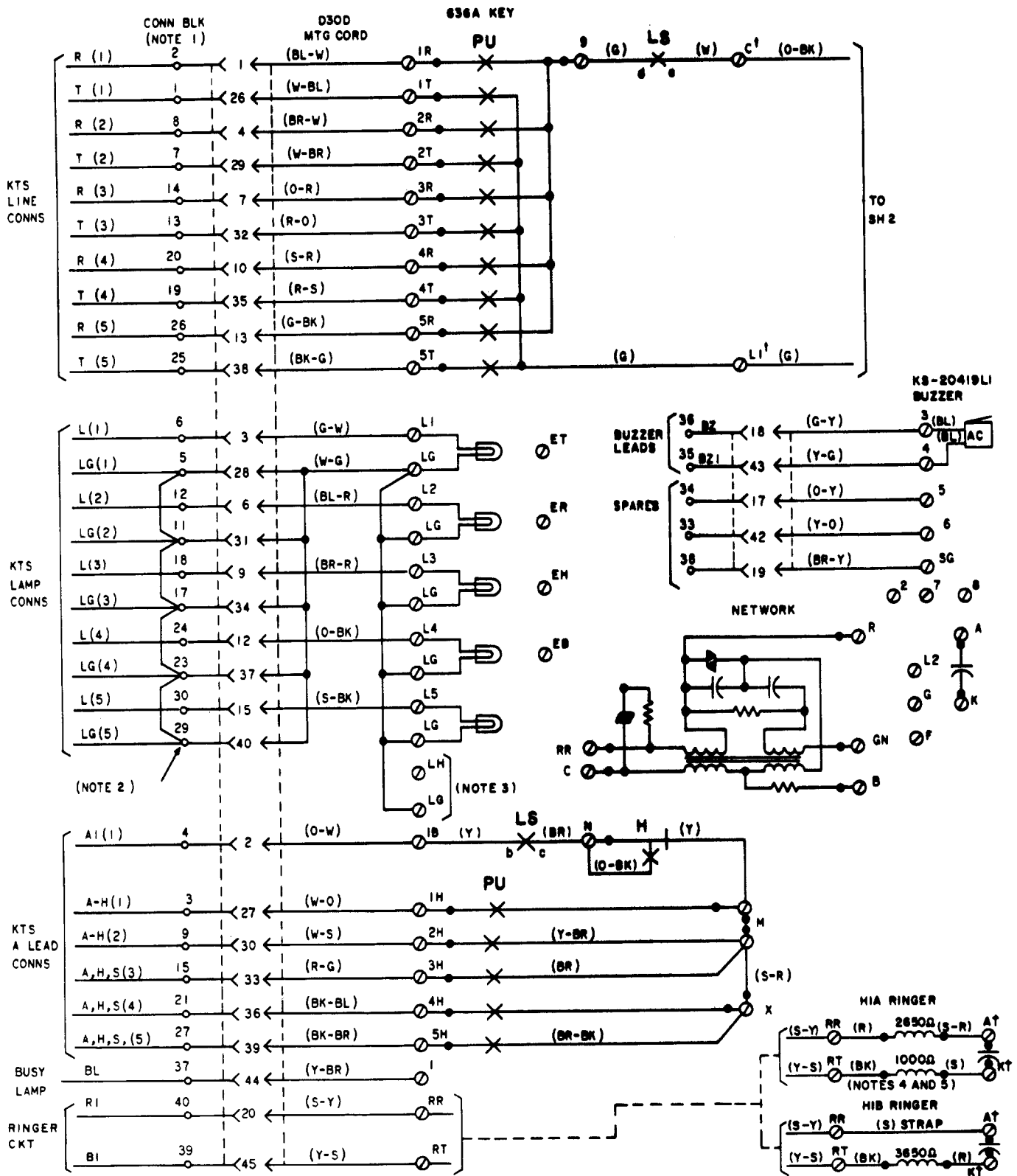
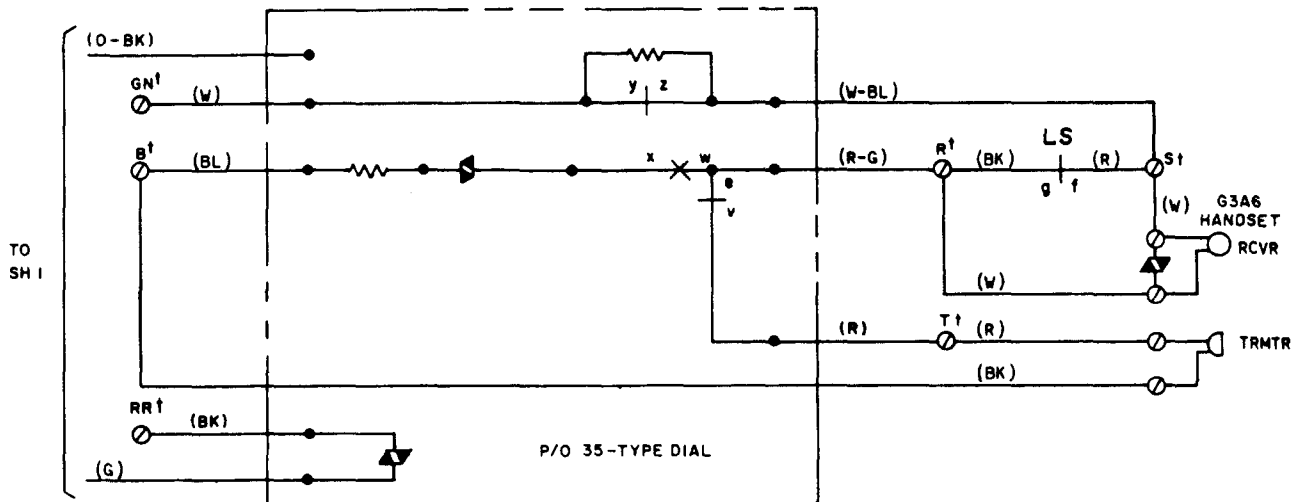


Fig. 1—2564HL (MD) Telephone Set, Connections (Sheet 1 of 2)



NOTES:

1. 66E-TYPE CONNECTING BLOCK SHOWN. MTG CD MAY BE PLUGGED DIRECTLY INTO CONNECTOR CABLE. COLORS AND PIN NOS. FOR CONN CABLE ARE SAME AS MTG CD.
2. IF 66E-TYPE BLOCK IS USED, STRAP AS SHOWN.
3. IF HOLD POSITION LAMP IS REQUIRED, USE SPARE PAIR AND TERMINATE ON LH AND LG TERMINALS.
4. IF CAPACITOR IS NOT REQUIRED IN RINGER CIRCUIT, MOVE (S) H1A RINGER LEAD OR (R) H1B RINGER LEAD TO NETWORK TERMINAL A.
5. FOR BRIDGED RINGER SERVICE, MOVE (R) AND (BK) RINGER LEADS TO RING AND TIP, RESPECTIVELY, OF LINE INVOLVED.

† NETWORK TERMINALS - UNDESIGNATED TERMINALS ARE ON KEY TERMINAL BOARD

LEGEND:

- PU - PICKUP KEY
- H - HOLD KEY
- LS - LINE SWITCH

Fig. 1—2564HL (MD) Telephone Set, Connections (Sheet 2 of 2)

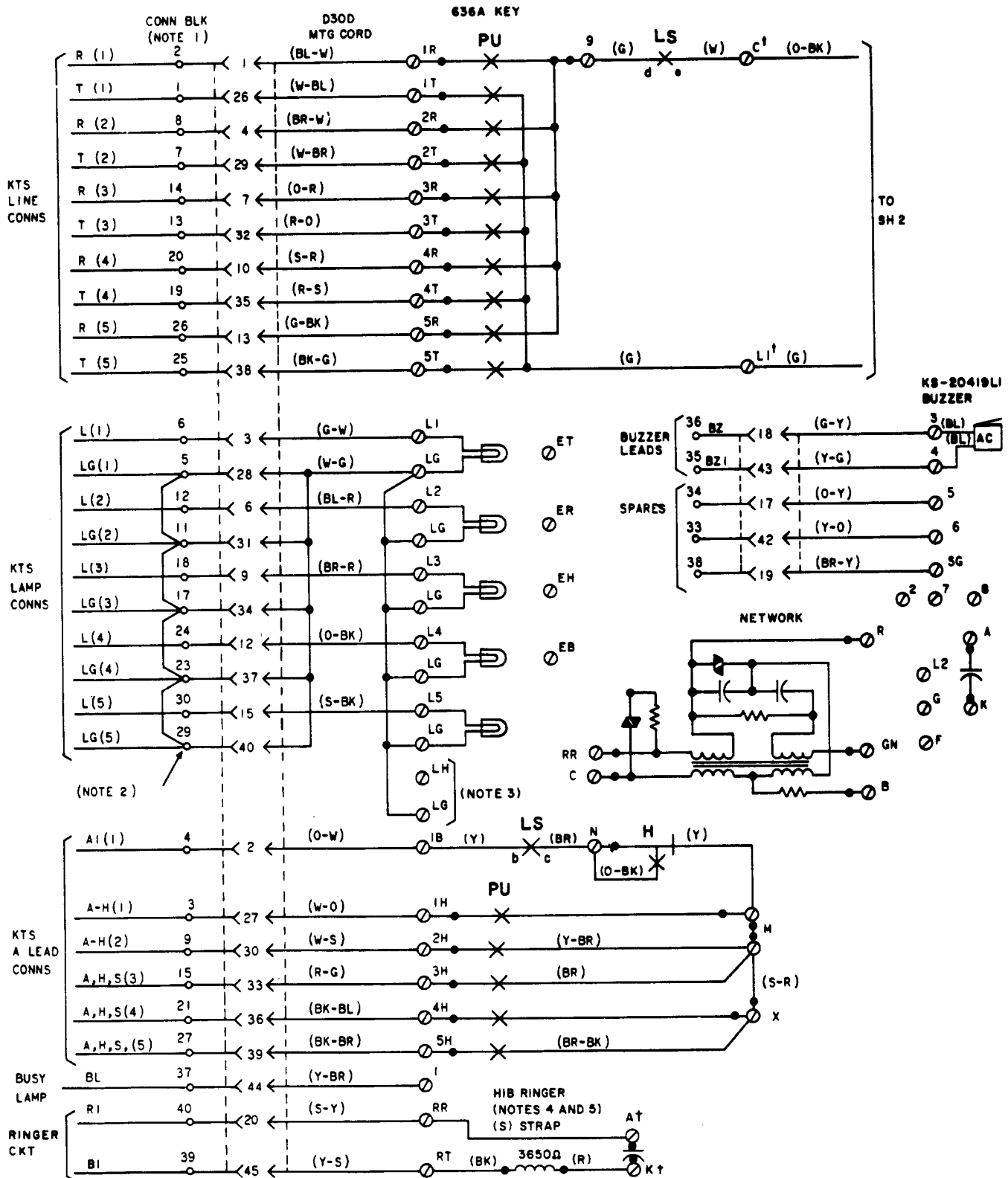
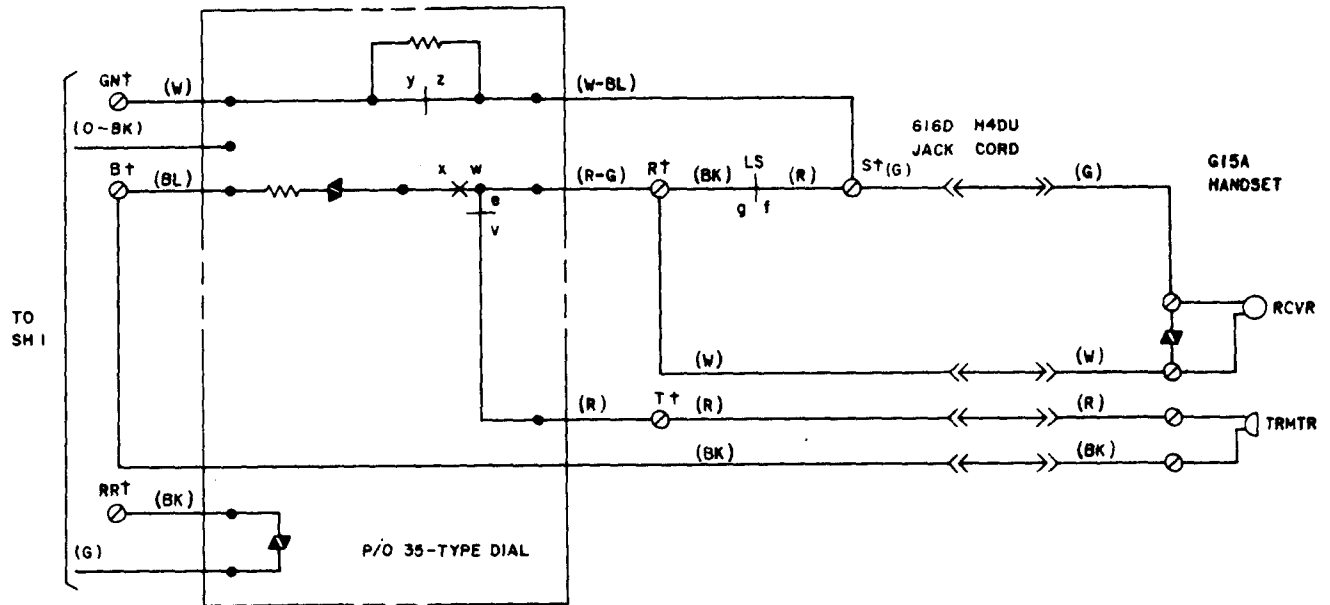


Fig. 2—2564HLM (MD) Telephone Set, Connections (Sheet 1 of 2)



NOTES:

1. 66E-TYPE CONNECTING BLOCK SHOWN MTG CD MAY BE PLUGGED DIRECTLY INTO CONNECTOR CABLE. COLORS AND PIN NOS. FOR CONN CABLE ARE SAME AS MTG CD.
2. IF 66E-TYPE BLOCK IS USED, STRAP AS SHOWN.
3. IF HOLD POSITION LAMP IS REQUIRED, USE SPARE PAIR AND TERMINATE ON LH AND LG TERMINALS.
4. IF CAPACITOR IS NOT REQUIRED IN RINGER CIRCUIT, MOVE (R) RINGER LEAD TO NETWORK TERMINAL A.
5. FOR BRIDGED RINGER SERVICE, MOVE (R) AND (BK) RINGER LEADS TO RING AND TIP, RESPECTIVELY, OF LINE INVOLVED.

† NETWORK TERMINALS-UNDESIGNATED TERMINALS ARE ON KEY TERMINAL BOARD

LEGEND:

PU- PICKUP KEY
H- HOLD KEY
LS- LINE SWITCH

Fig. 2—2564HLM (MD) Telephone Set, Connections (Sheet 2 of 2)

SECTION 502-543-402

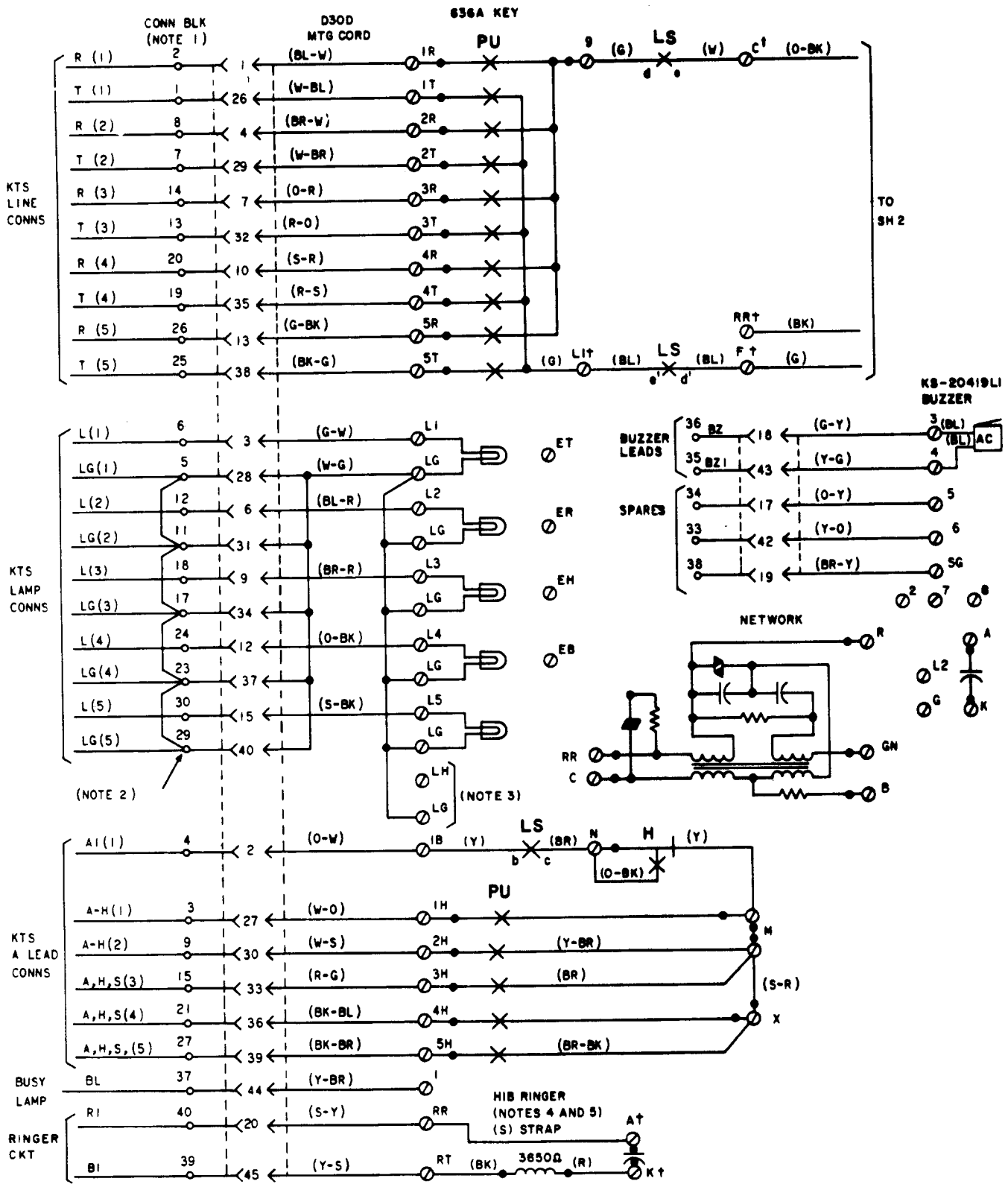
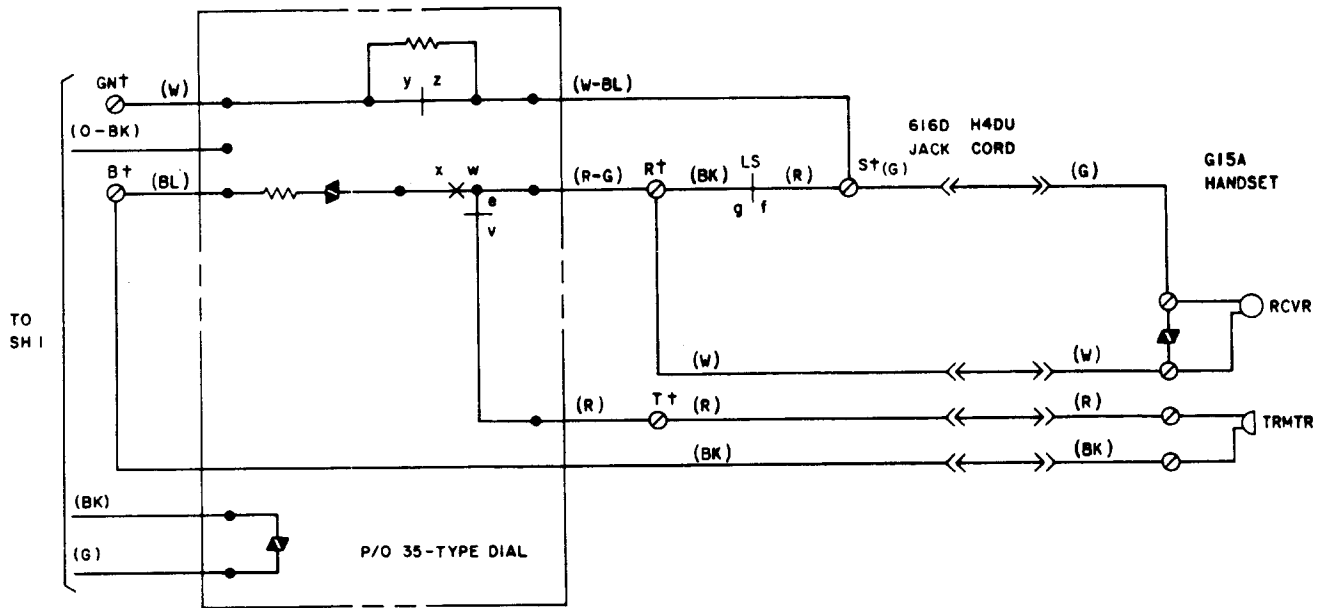


Fig. 3—2564HLMS Telephone Set, Connections (Sheet 1 of 2)



NOTES:

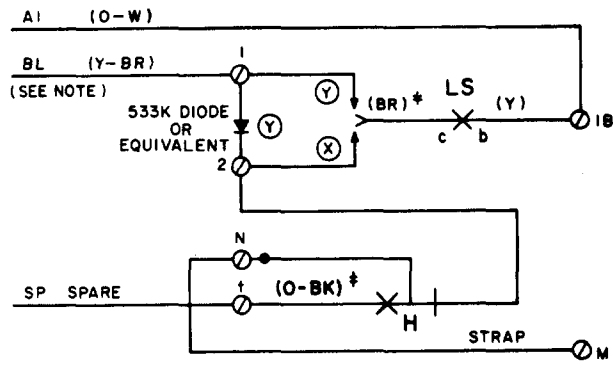
1. 66E-TYPE CONNECTING BLOCK SHOWN MTG CD MAY BE PLUGGED DIRECTLY INTO CONNECTOR CABLE. COLORS AND PIN NOS. FOR CONN CABLE ARE SAME AS MTG CD.
2. IF 66E-TYPE BLOCK IS USED, STRAP AS SHOWN.
3. IF HOLD POSITION LAMP IS REQUIRED, USE SPARE PAIR AND TERMINATE ON LH AND LG TERMINALS.
4. IF CAPACITOR IS NOT REQUIRED IN RINGER CIRCUIT, MOVE (R) RINGER LEAD TO NETWORK TERMINAL A.
5. FOR BRIDGED RINGER SERVICE, MOVE (R) AND (BK) RINGER LEADS TO RING AND TIP, RESPECTIVELY, OF LINE INVOLVED.

† NETWORK TERMINALS-UNDESIGNATED TERMINALS ARE ON KEY TERMINAL BOARD

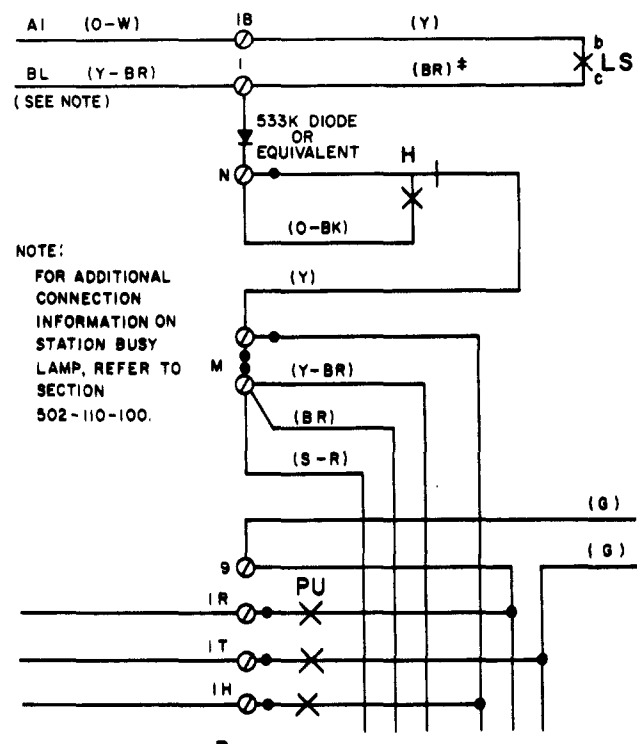
LEGEND:

- PU- PICKUP KEY
- H- HOLD KEY
- LS- LINE SWITCH

Fig. 3—2564HLMS Telephone Set, Connections (Sheet 2 of 2)



A. KTS WITH I HOLD WITH/WITHOUT BUSY LAMP



B. KTS WITH BUSY LAMP

- † SPARE TERMINAL OR D-161488 CONNECTOR
- ‡ -LEADS INVOLVED IN MODIFICATION
- H-HOLD KEY LS-LINE SWITCH
- PU-PICKUP KEY
- (X)-WITHOUT STATION BUSY LAMP
- (Y)-WITH STATION BUSY LAMP

Fig. 4—2564HL (MD), 2564HLM (MD), or 2564HLMS Telephone Set—Optional Features