

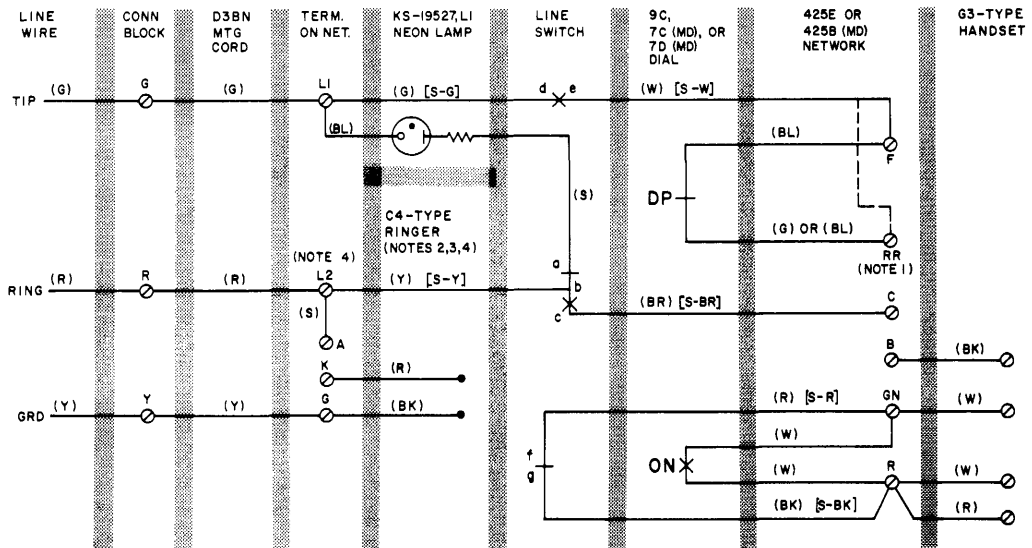
## SERVICE

### 500W/Y TELEPHONE SETS

#### 1. GENERAL

##### 1.01 Reissued to add:

- C4B ringer
- Nontechnical changes to Fig. 1



**NOTES:**

1. FOR MANUAL SERVICE REPLACE DIAL WITH APPARATUS BLANK. MOVE (w) [S-W] FROM "F" TO "RR" TERMINAL.
2. TO SILENCE RINGER PERMANENTLY FOR ALL CLASSES OF SERVICE, CONNECT (Y) MOUNTING CORD LEAD TO THE SAME TERMINAL AS (R) MOUNTING CORD LEAD AT CONNECTING BLOCK.
3. SET WIRED FOR RING PARTY SERVICE. FOR TIP PARTY SERVICE REVERSE (R) AND (G) MOUNTING CORD LEADS AT CONNECTING BLOCK. FOR INDIVIDUAL OR BRIDGED PARTY SERVICE CONNECT (Y) MOUNTING CORD LEAD TO G TERMINAL AT CONNECTING BLOCK.
4. CONNECTIONS FOR C4B RINGER SHOWN. IF C4A RINGER IS USED, WIRE AS FOLLOWS:  
 (BK) TO G  
 (S) TO K  
 (S-R) TO A  
 (R) TO L2
5. LINE SWITCH SEQUENCE, HANDSET REMOVED.  
 (1) bc MAKES  
 (2) de MAKES  
 (3) ab BREAKS  
 (4) gf BREAKS

( ) CURRENT COLOR CODE  
 [ ] MD COLOR CODE  
 DP DIAL PULSE CONTACT  
 ON DIAL OFF-NORMAL CONTACT

REMOVE (S) STRAP FROM A TO L2 OF NETWORK.

TPA 542546

Fig. 1—500W/Y Telephone Set, Connections