

SERVICE
503B AND 503CM TELEPHONE SETS

1. **GENERAL**

• Add Note 5, Fig. 1

1.01 Reissued to:

• Revise Table A

◆ **TABLE A** ◆

TO PROVIDE DATA SET CONTROL WITH EXCLUSION KEY OPERATED
 (503CM)

LEAD	COLOR	REMOVE FROM		CONNECT TO	
		TERM. BOARD	NET.	TERM. BOARD	NET.
Exclusion Key	S	E2			L2
	R		L2	E2	
	BR	1			GN
	O		GN	1	
641D Jack	O-W	8		7	

NOTICE

Not for use or disclosure outside the
 Bell System except under written agreement

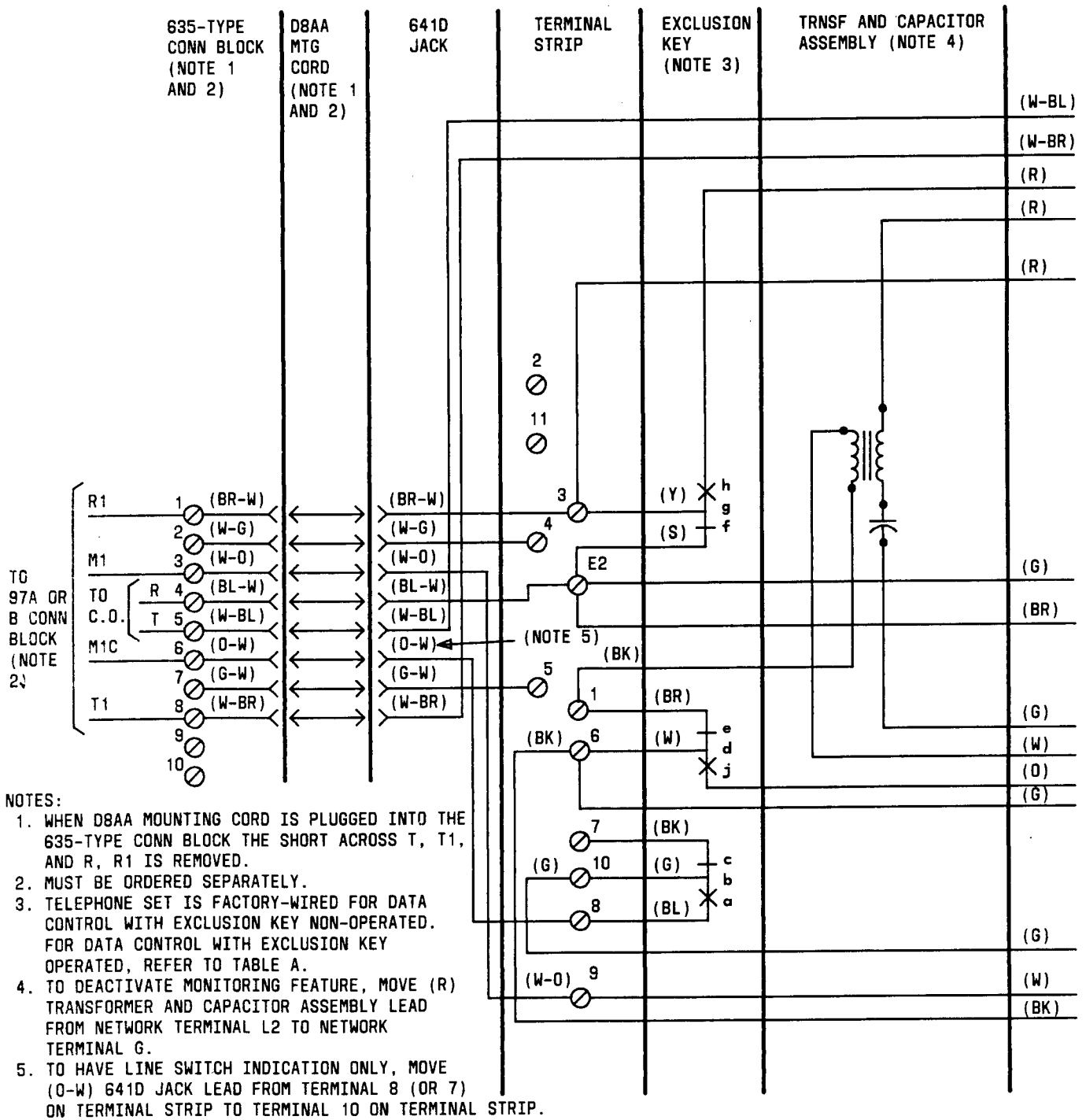
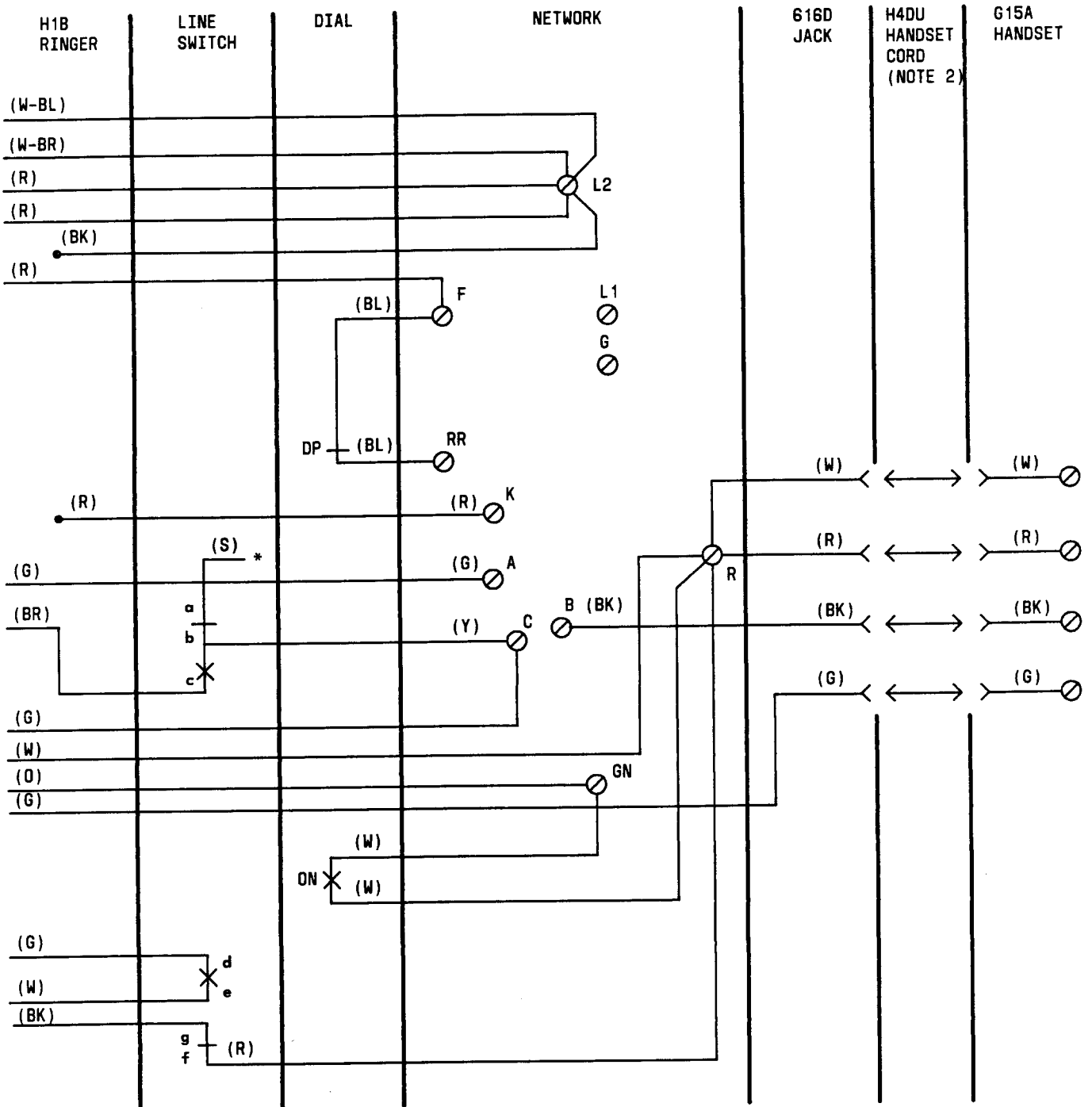


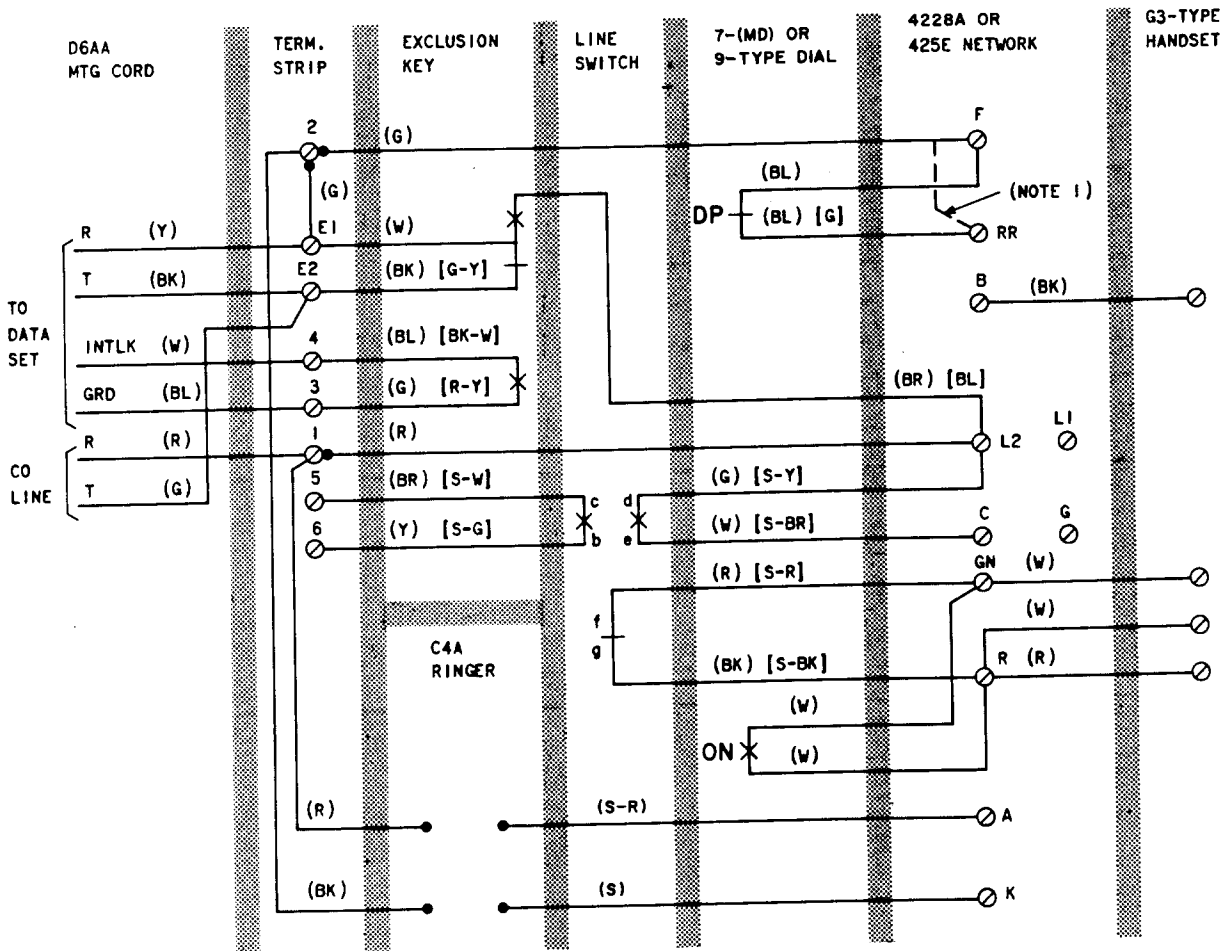
Fig. 1 — 503CM Telephone Set, Connections (Sheet 1 of 2)



* INSULATED AND STORED.
 DP - DIAL PULSE CONTACT
 ON - DIAL OFF-NORMAL CONTACT

Fig. 1—503CM Telephone Set, Connections (Sheet 2 of 2)

SECTION 502-580-460



- NOTES:
1. FOR MANUAL SERVICE, MOVE (G) LEAD FROM F TO RR TERMINAL.
 2. LINE SWITCH SEQUENCE, HANDSET REMOVED
 - (1) bc - MAKES
 - (2) de - MAKES
 - (3) fg - BREAKS
 3. TO SILENCE RINGER PERMANENTLY, DISCONNECT (BK) RINGER LEAD, INSULATE AND STORE.

DP-DIAL PULSE CONTACT
 ON-DIAL OFF-NORMAL CONTACT
 () - CURRENT COLOR CODE
 [] - MD COLOR CODE

Fig. 2 — 503B (MD) Telephone Set, Connections