

SERVICE

617-TYPE TELEPHONE SETS

1. GENERAL

1.01 This section contains maintenance and connection information for the 617-type telephone sets. The connection information was formerly contained in Section 502-616-402 which is hereby canceled.

1.02 The 617B15 telephone set replaces the 617A15 telephone set which is rated MD.

1.03 All keys on the 598A or 656A key modules are converted to operate as nonlocking keys.

2. MAINTENANCE

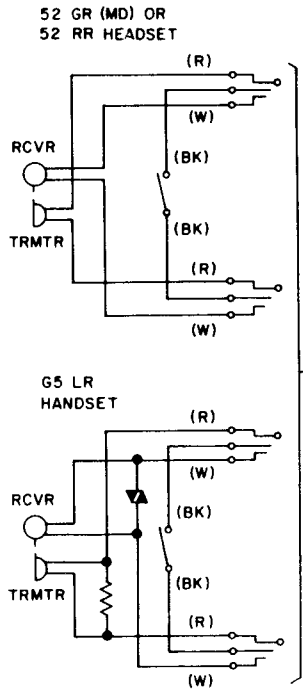
2.01 Maintenance of these telephone sets is the same as for 630 series CALL DIRECTOR® sets. Refer to the Reference section associated with these sets for ordering information of replaceable components. Maintenance of handset, headset,

dials, ringers, and modular keys is covered in sections pertaining to these components.

3. CONNECTIONS

3.01 Terminations for these sets are furnished in the following Schematic Drawings (SD):

- SD-69439-01: Switching System No. 301-Line Selection Circuit Arranged for Nonlocking Pushbutton Keys With One Signal Lamp.
- SD-69440-01: Switching System No. 301—Attendant Telephone, Position Loudspeaker—Radio Override, and Hot Line Circuit—Arranged for Multiple Connection to Override and Hot Lines.
- SD-69445-01: Switching System No. 301—Line Display Lamp Supply Position Pilot and Audible Signal Control Circuits.



NOTE:
 LINE SWITCH OFF-HOOK SEQUENCE:
 cb-CLOSES
 de-CLOSES
 ab-OPENS
 fg-OPENS

LEGEND:
 () CURRENT COLOR CODE
 [] MD COLOR CODE
 * INSULATED AND STORED
 JK(A) - 241C JACK (A) CONTACTS
 JK(B) - 241C JACK (B) CONTACTS
 ON - OFF NORMAL CONTACTS
 DP - DIAL PULSE CONTACTS
 LS - LINE SWITCH

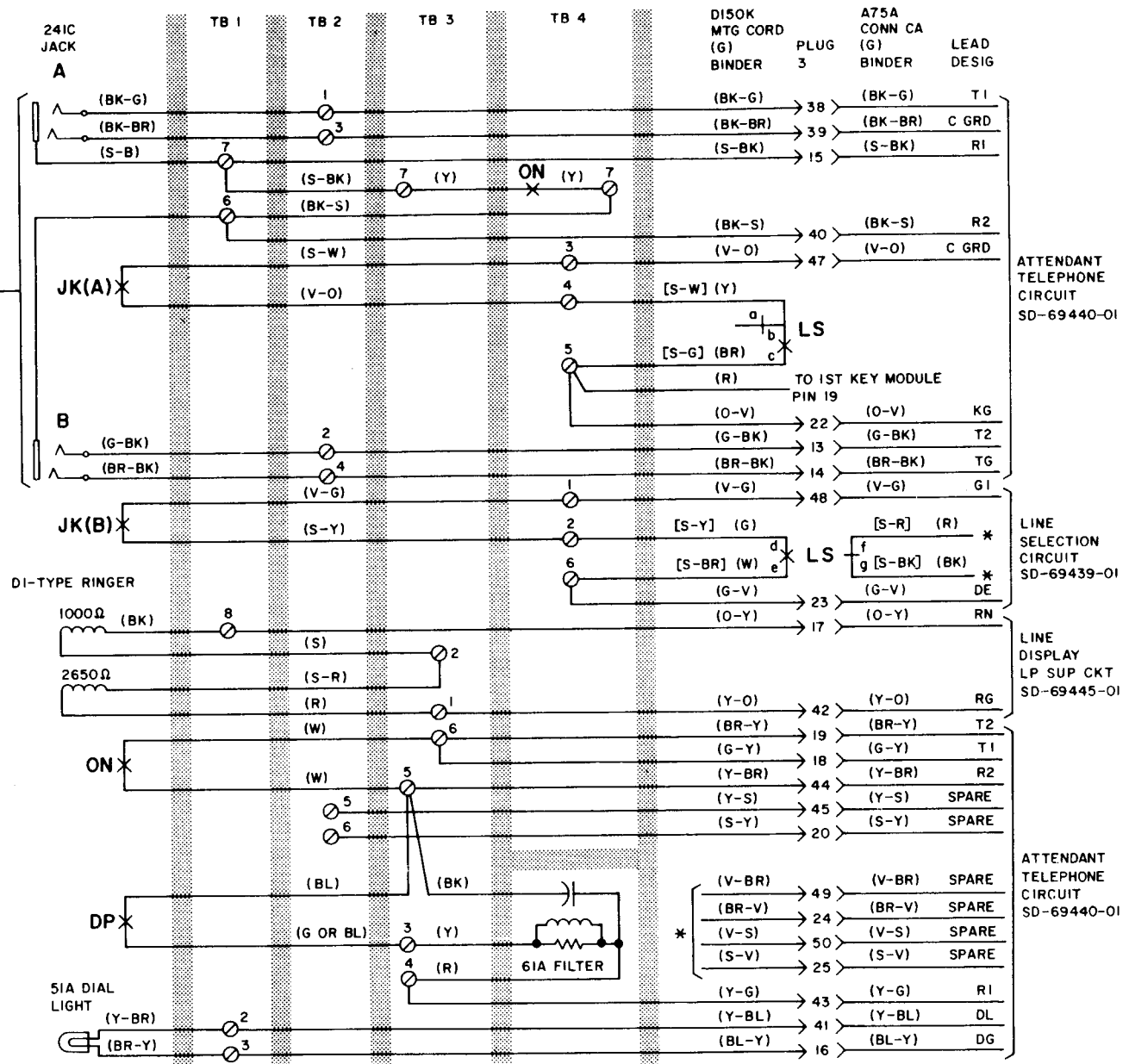
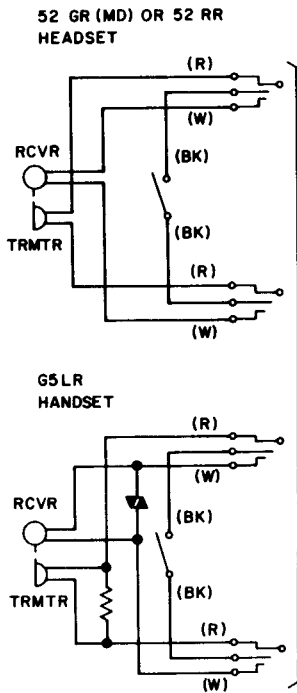


Fig. 1-617A (MD) Type Telephone Set, Connections



NOTES:

1. CURRENT PRODUCTION SETS MAY BE EQUIPPED WITH A TIA RINGER WHICH WILL NOT HAVE THE (S) AND (S-R) COIL TAP LEAD.
2. LINE SWITCH OFF-HOOK SEQUENCE:
 cb - CLOSSES
 de - CLOSSES
 ab - OPENS
 fg - OPENS

ON DIAL OFF NORMAL CONTACTS

DP DIAL PURPOSE CONTACTS

JK(A) 241C JACK A

JK(B) 241C JACK B

LS LINE SWITCH

- * INSULATED AND STORED
- () CURRENT COLOR CODE
- [] MD COLOR CODE

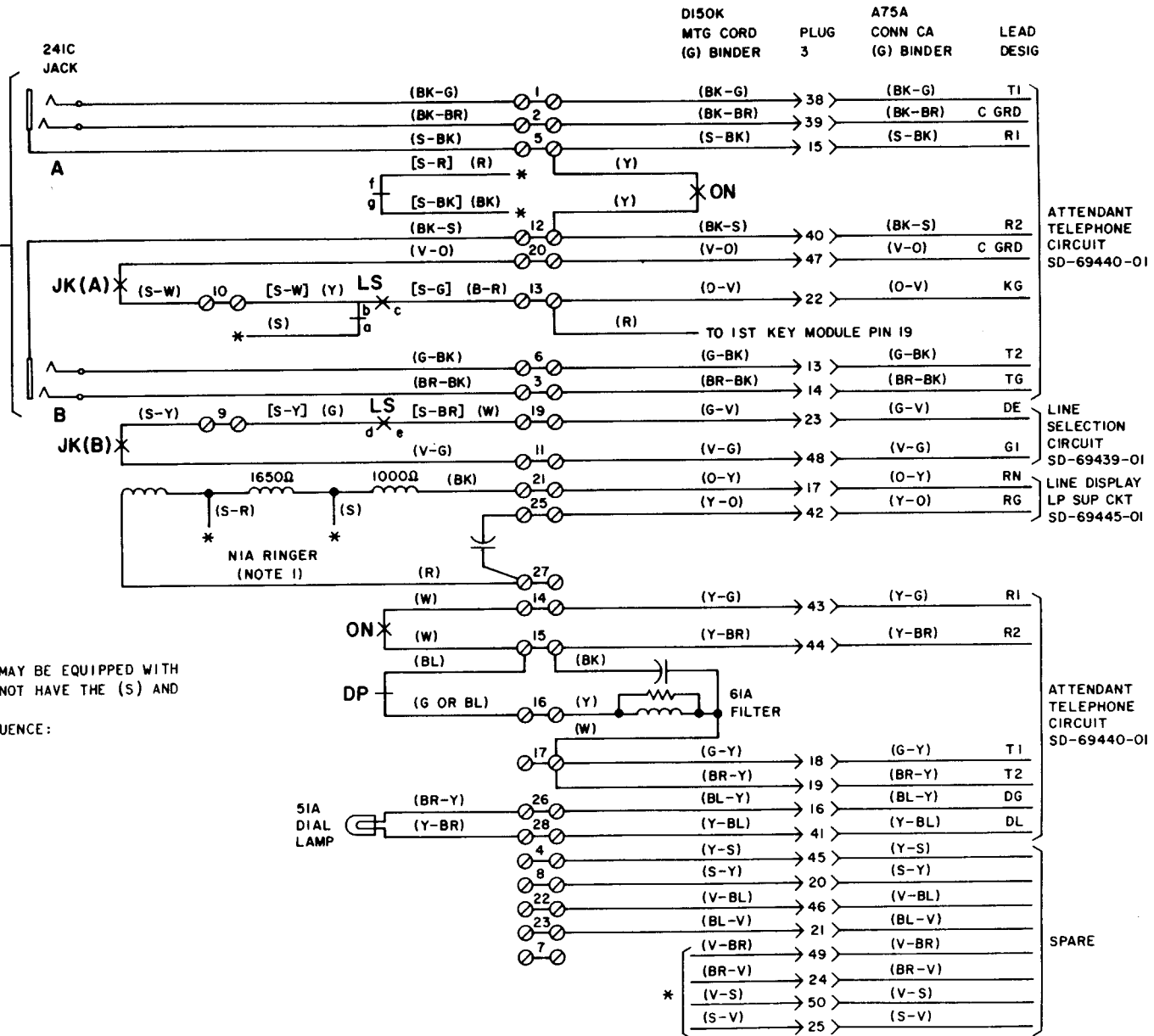


Fig. 2—617B Type Telephone Set, Connections

SECTION 502-610-402

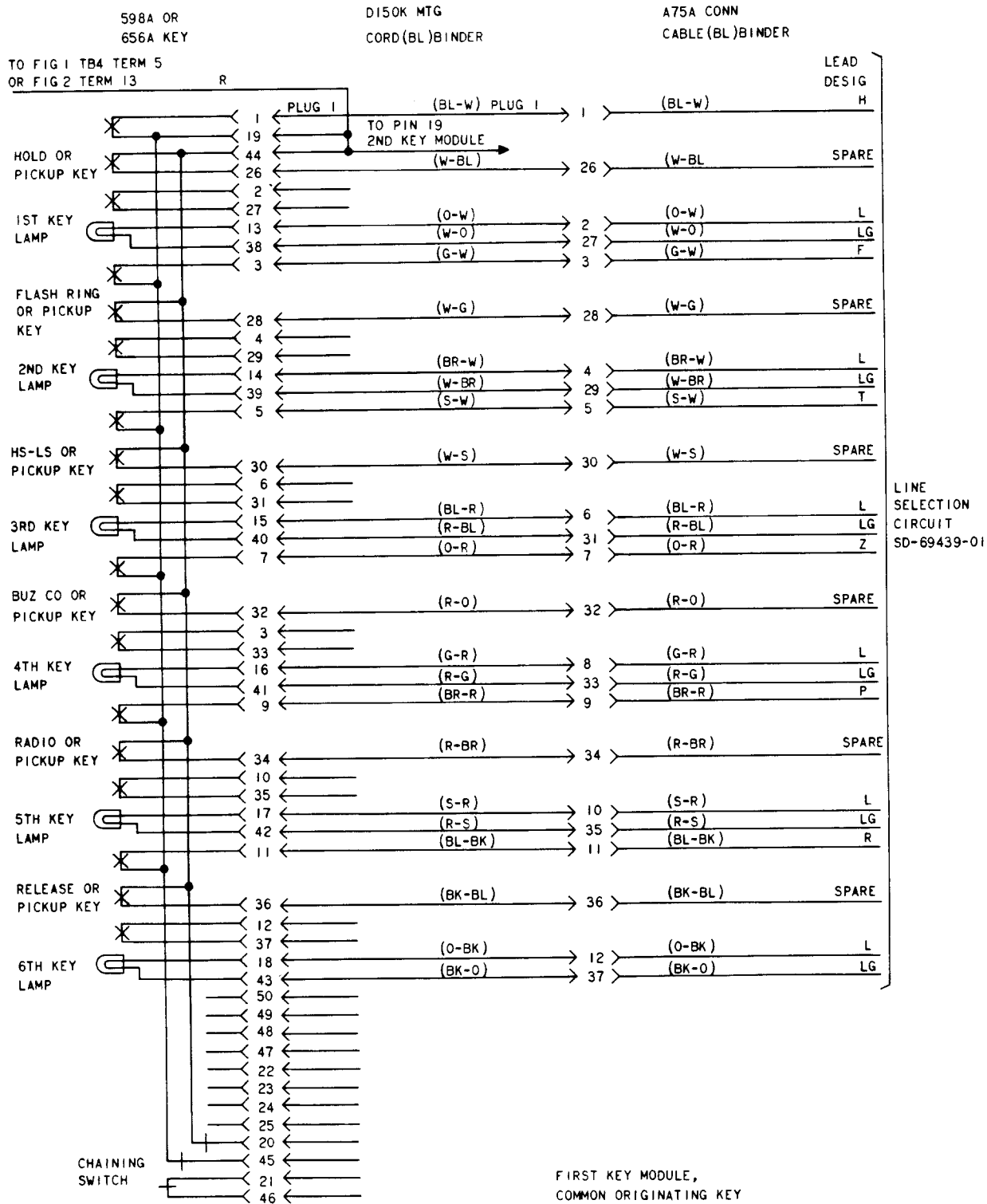


Fig. 3—Mounting Cord and Connector Cable Connections for 598A or 656A Key Module (Sheet 1 of 5)

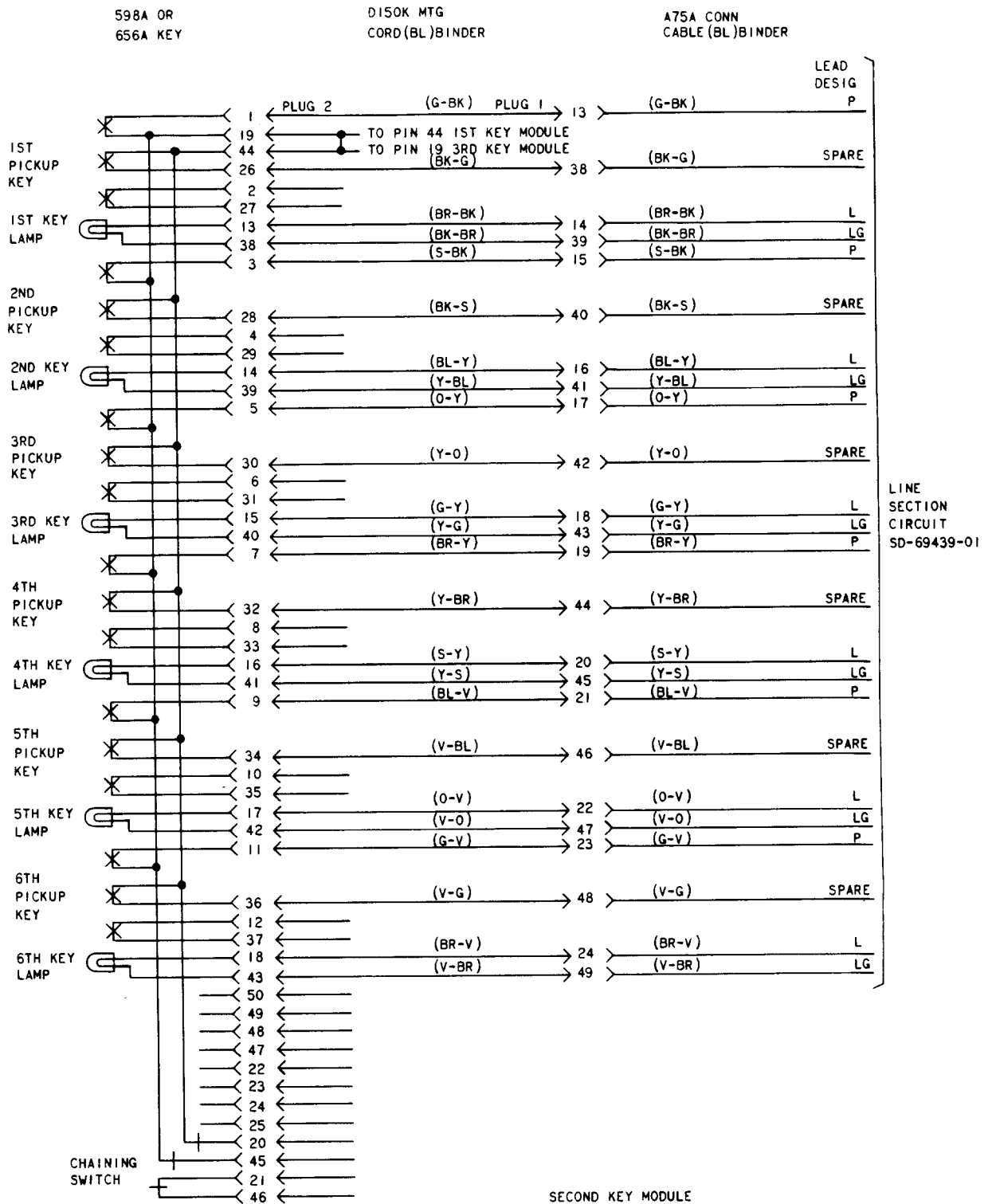


Fig. 3—Mounting Cord and Connector Cable Connections for 598A or 656A Key Module (Sheet 2 of 5)

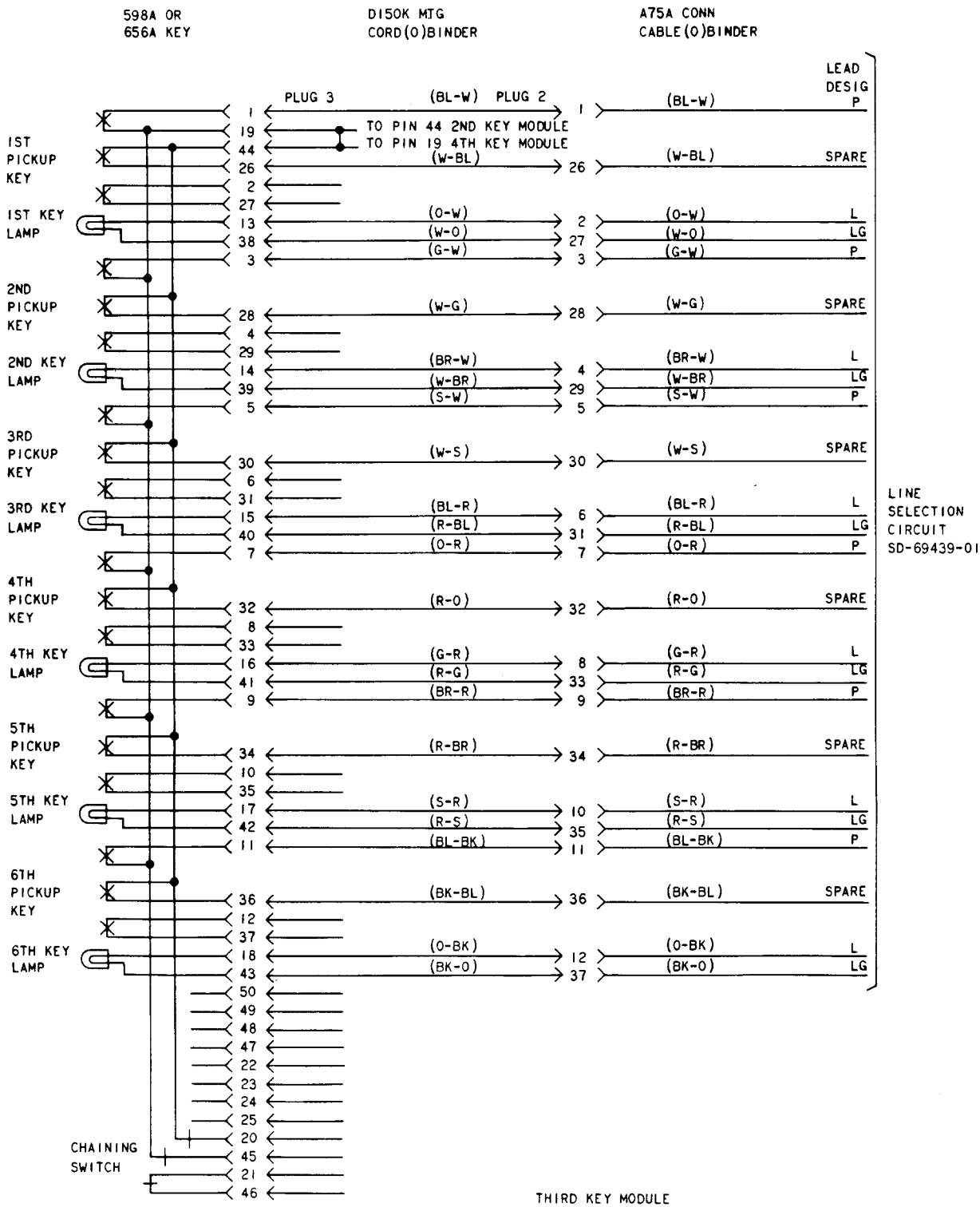


Fig. 3—Mounting Cord and Connector Cable Connections for 598A or 656A Key Module (Sheet 3 of 5)

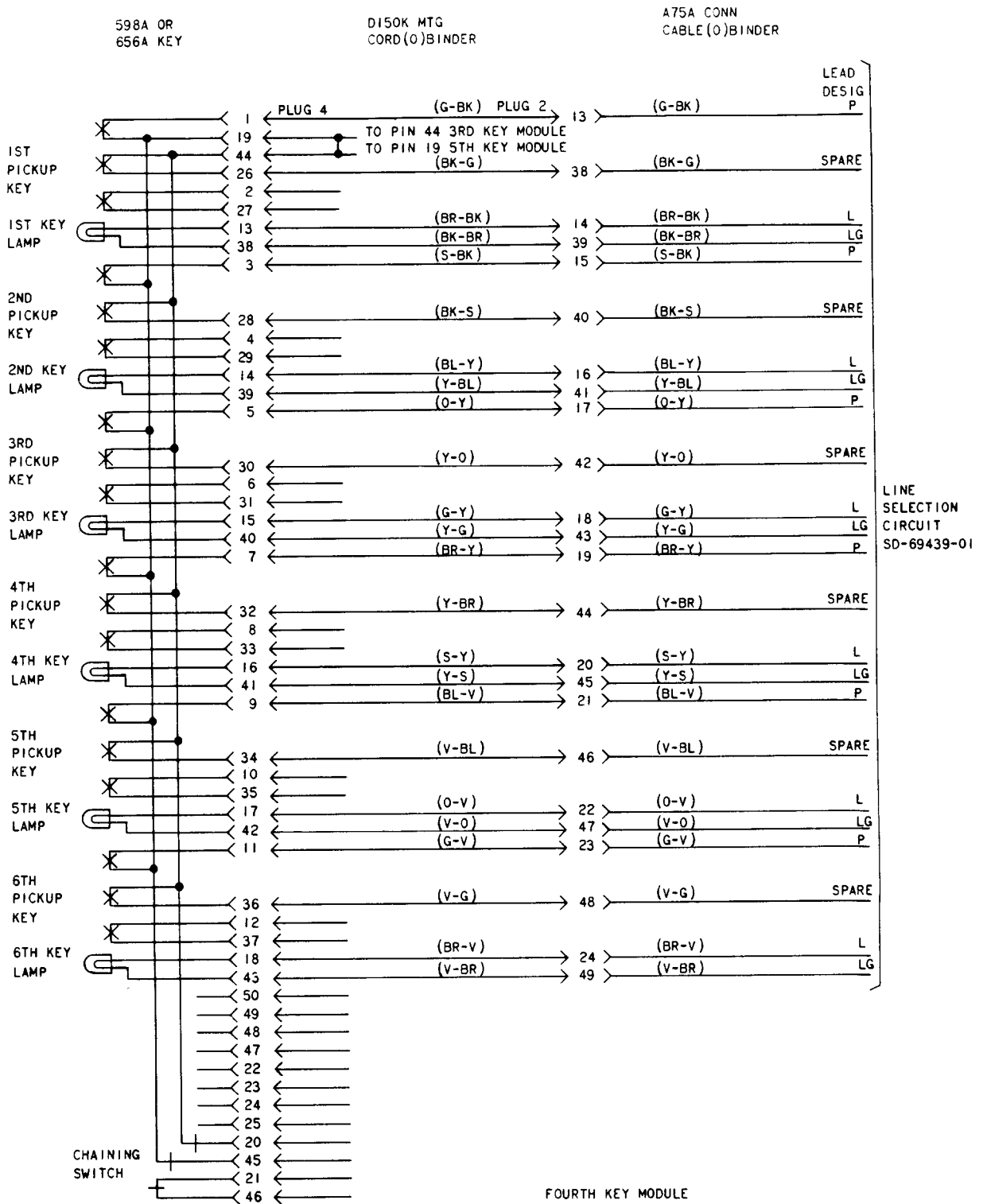


Fig. 3—Mounting Cord and Connector Cable Connections for 598A or 656A Key Module (Sheet 4 of 5)

SECTION 502-610-402

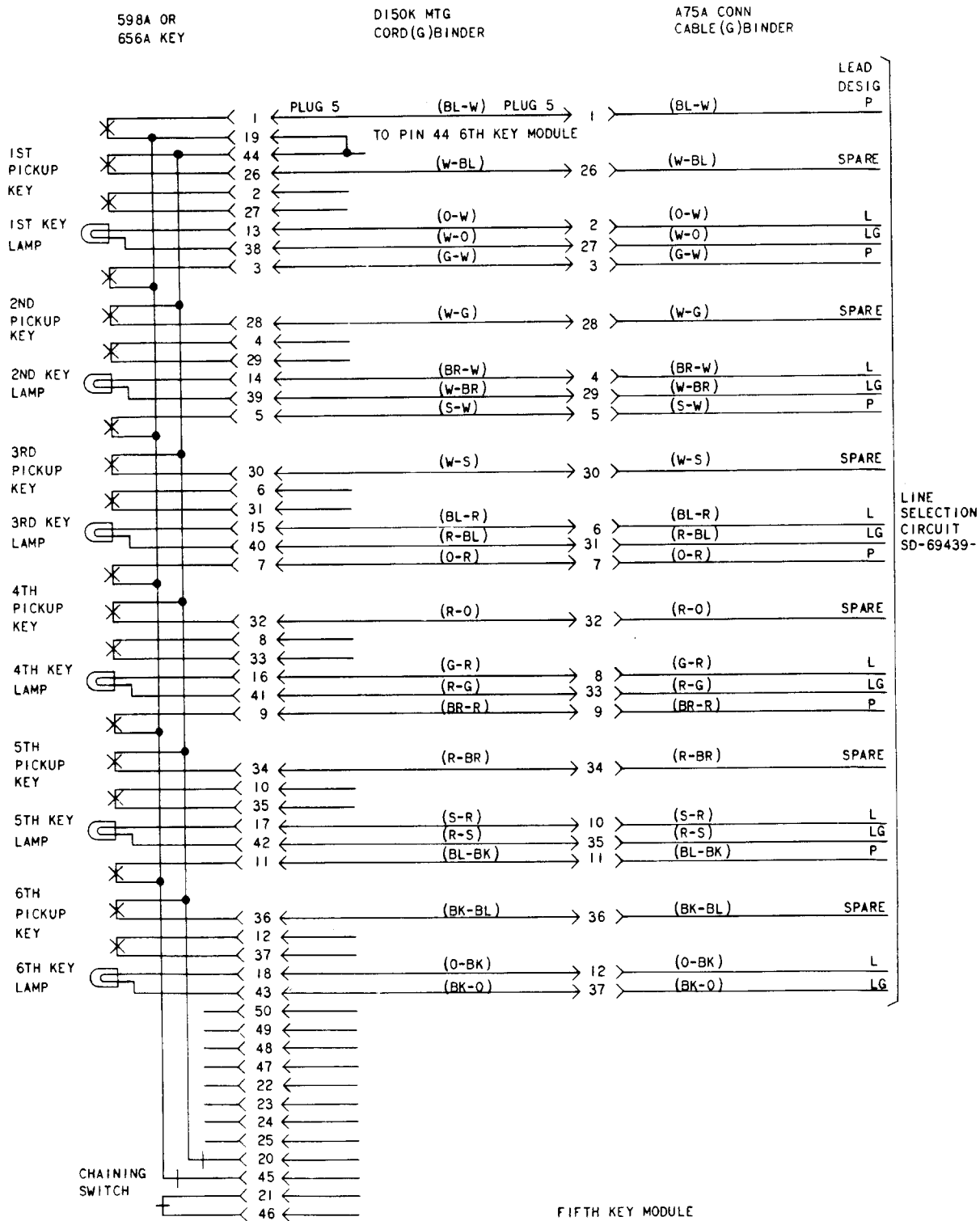


Fig. 3—Mounting Cord and Connector Cable Connections for 598A or 656A Key Module (Sheet 5 of 5)