

SERVICE

621-TYPE TELEPHONE SETS

1. GENERAL

- 1.01** This section contains connection information for 621A1- and 621A2-type (MD) telephone sets. This information was formerly contained in Section 502-620-400 which is hereby canceled.
- 1.02** The 621-type (MD) telephone sets are used with 701B PBX systems at the attendant position for receiving and completing calls.
- 1.03** Attendant inserts plug of headset or handset into C and D jacks to receive calls. The A and B jacks are provided for monitoring and training. Removal of the headset or handset from C and D jacks busy-out the attendant position to incoming calls.
- 1.04** Illuminated trunk keys provide the attendants with a means of establishing connections between the telephone set and incoming calls. Keys light to indicate trunk seizure or a hold condition. Green trunk lamps are provided to indicate incoming calls, transferred calls, and trunk supervision. White station lamps are provided to indicate busy, ringing, camp-on, and station supervision. All lamps are 51A except calls waiting lamp and RDY lamp which are 2Y lamps.
- 1.05** Capacity of the 621A1 telephone set is 10 trunk keys, 10 trunk lamps, and 10 station lamps. Capacity of the 621A2 telephone set is 20 trunk keys, 20 trunk lamps, and 20 station lamps.

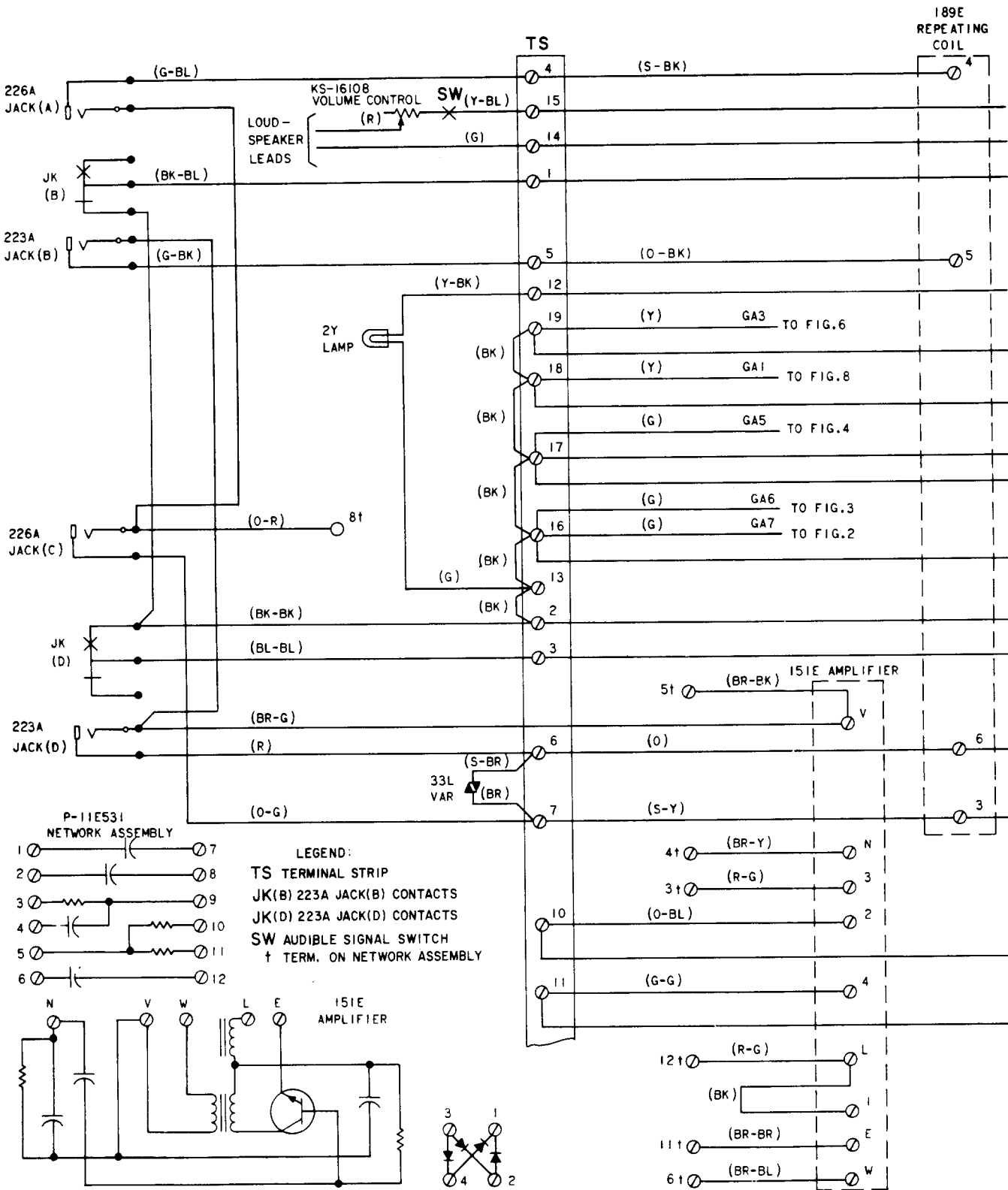


Fig. 1—621-Type Telephone Set, Connections (Sheet 1 of 2)

NOTE:
CONDUCTORS ARE ASSOCIATED WITH THE SAME BINDER
COLORS AS SHOWN FOR THE CONNECTOR CABLE.

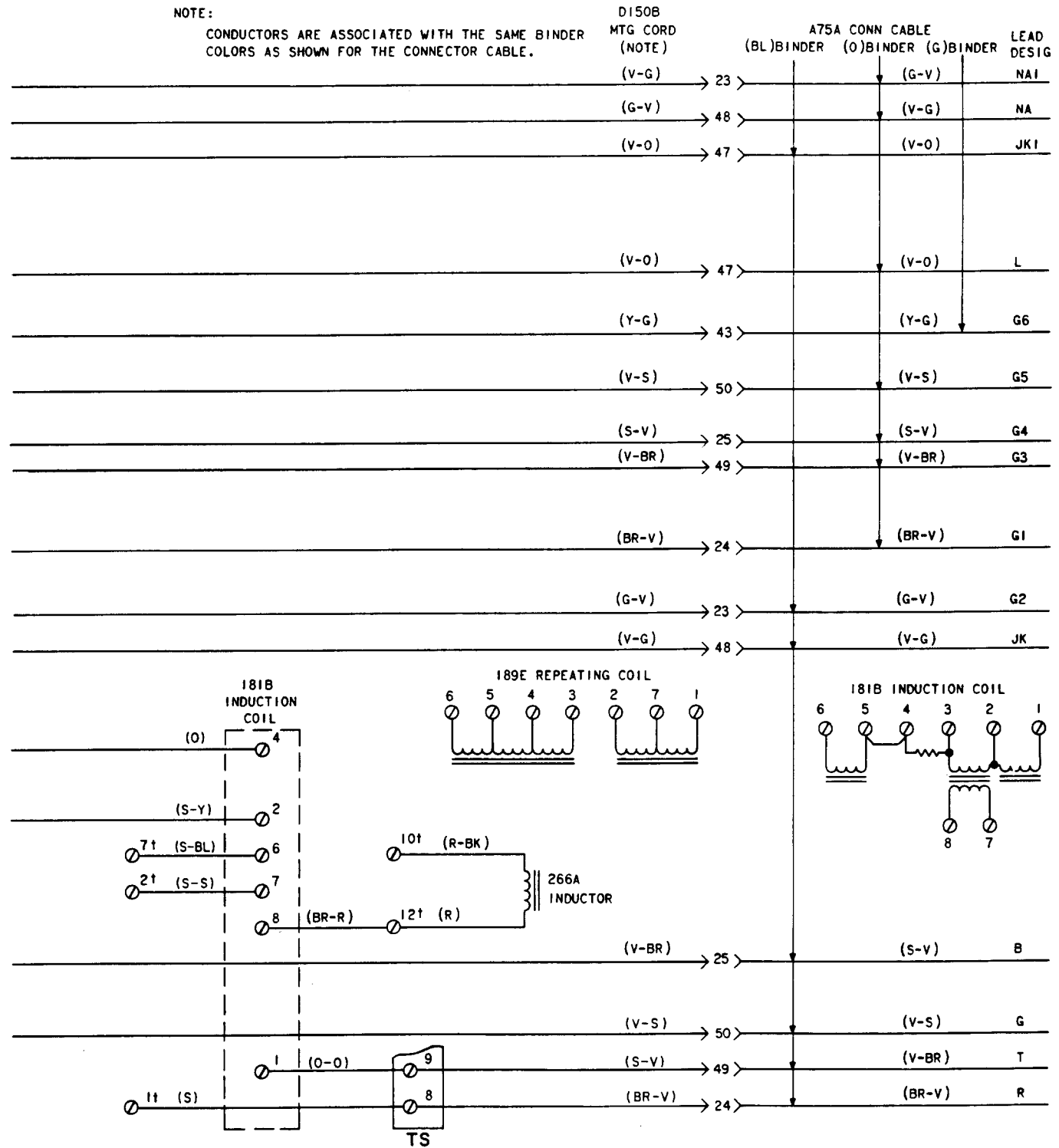
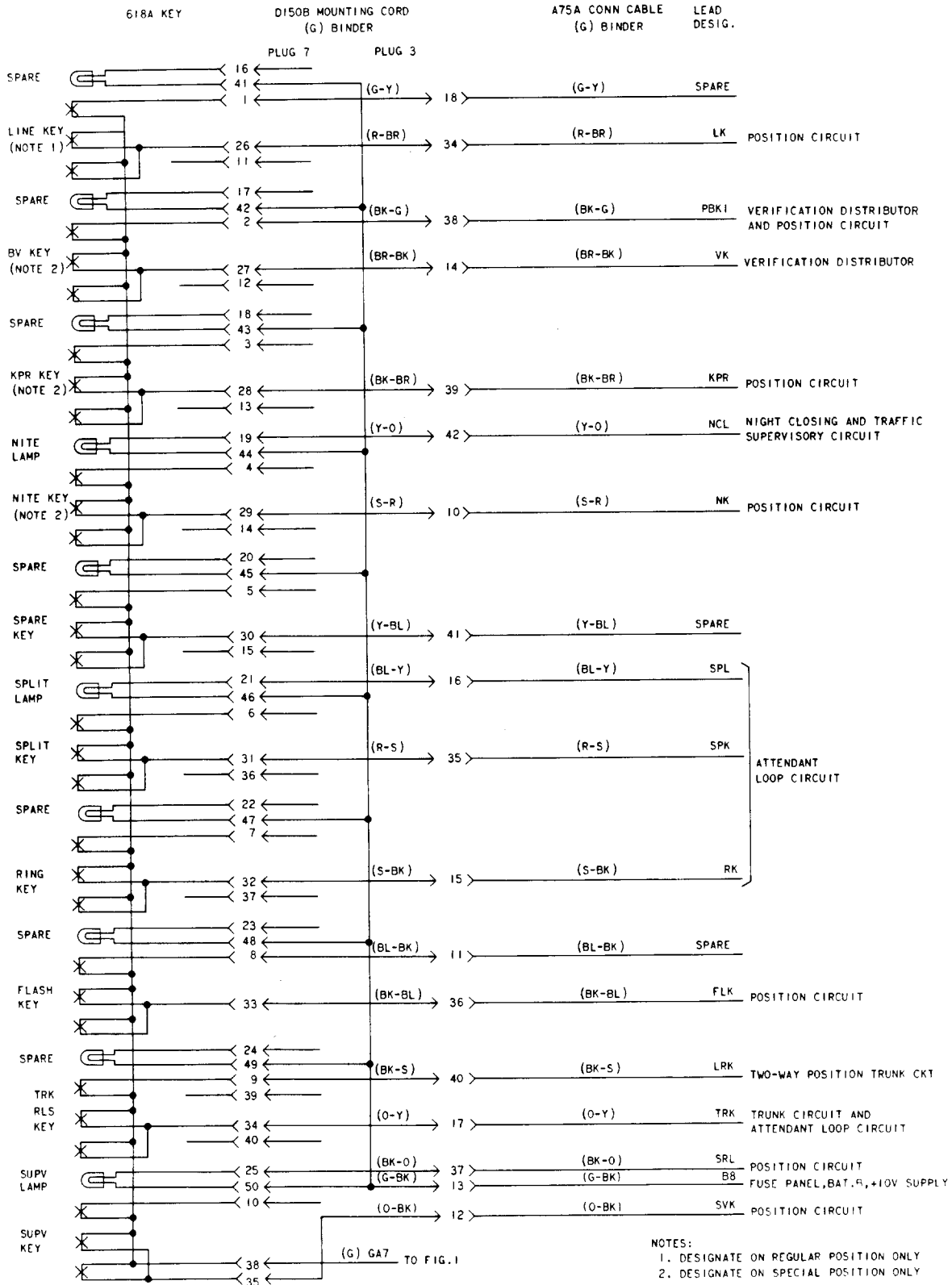


Fig. 1—621-Type Telephone Set, Connections (Sheet 2 of 2)



NOTES:
 1. DESIGNATE ON REGULAR POSITION ONLY
 2. DESIGNATE ON SPECIAL POSITION ONLY

Fig. 2—618A Key (Miscellaneous Position Keys) Connections

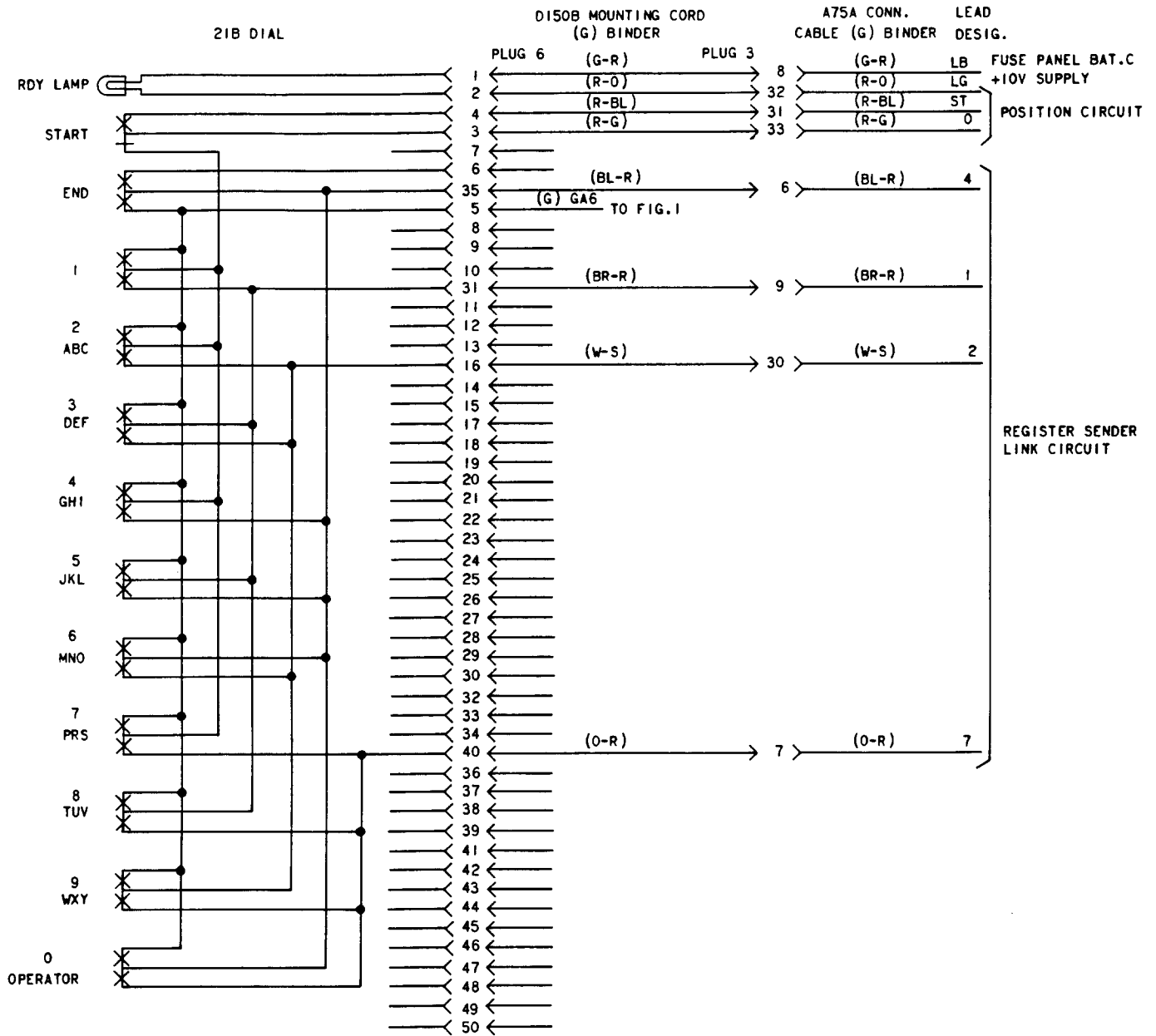


Fig. 3—21B Pushbutton Dial, Connections

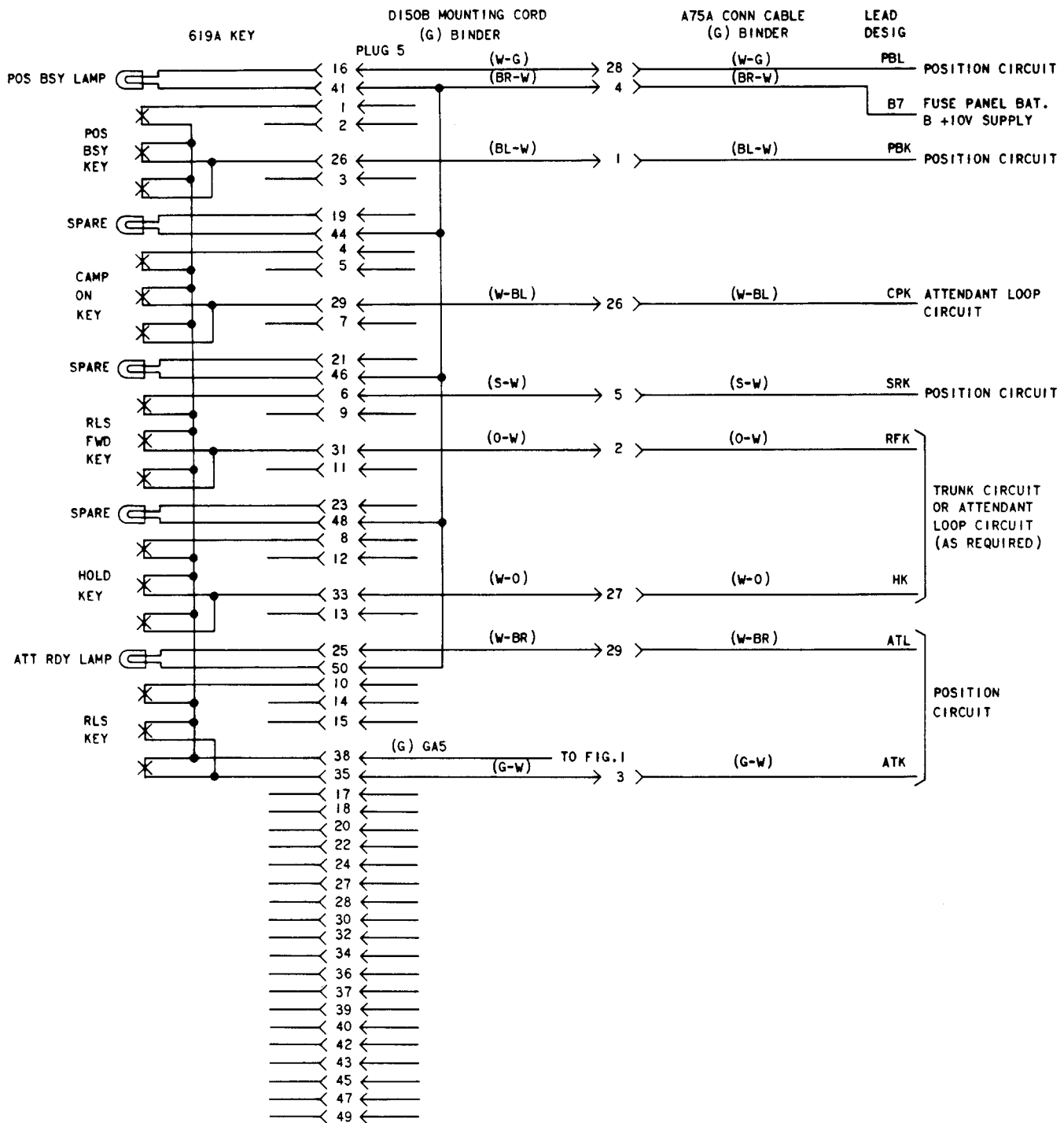


Fig. 4—619A Key (Common Position Keys) Connections

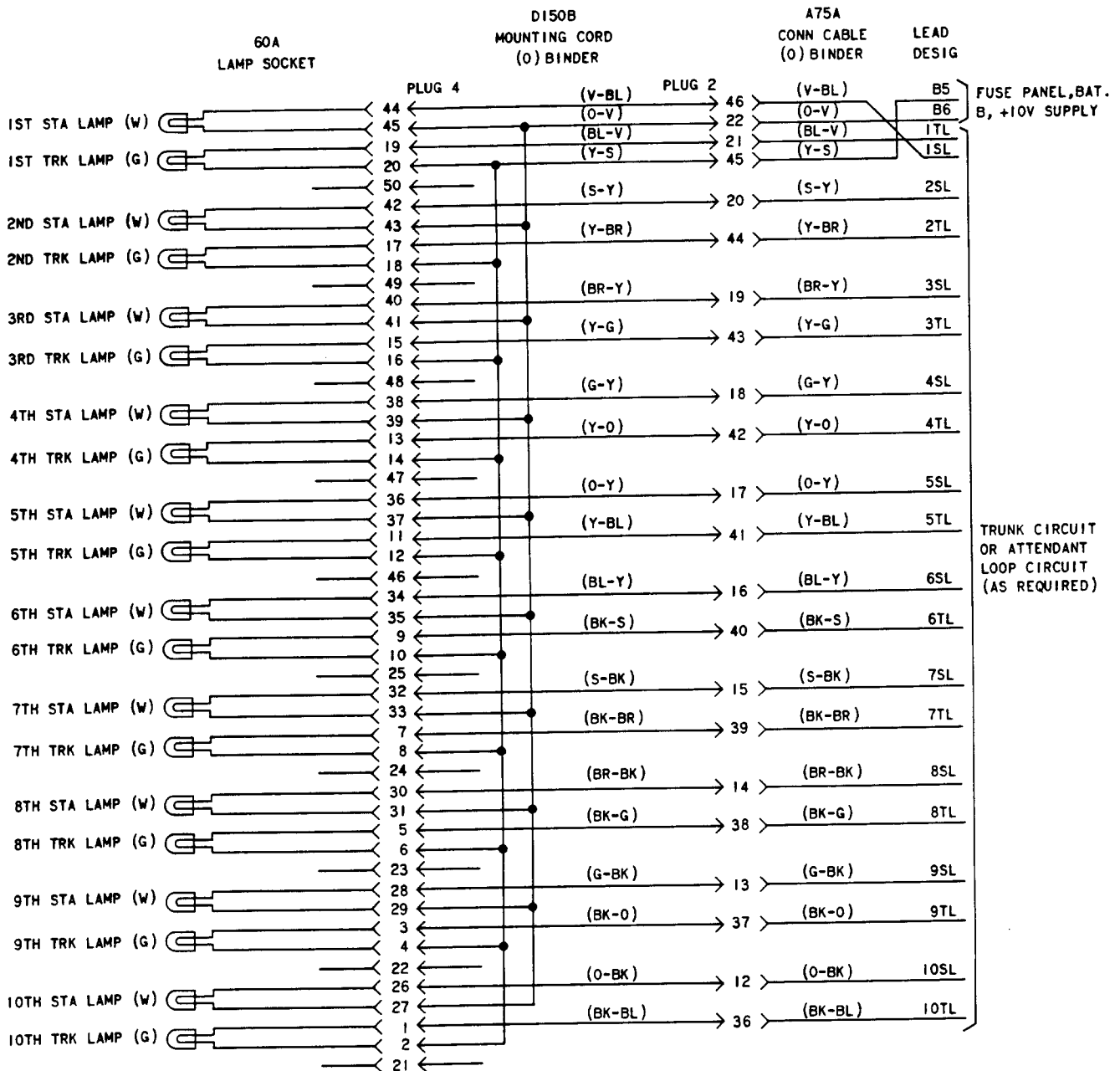


Fig. 5—60A Lamp Socket (1 to 10 Trunk and Station Lamps) Connections

SECTION 502-610-403

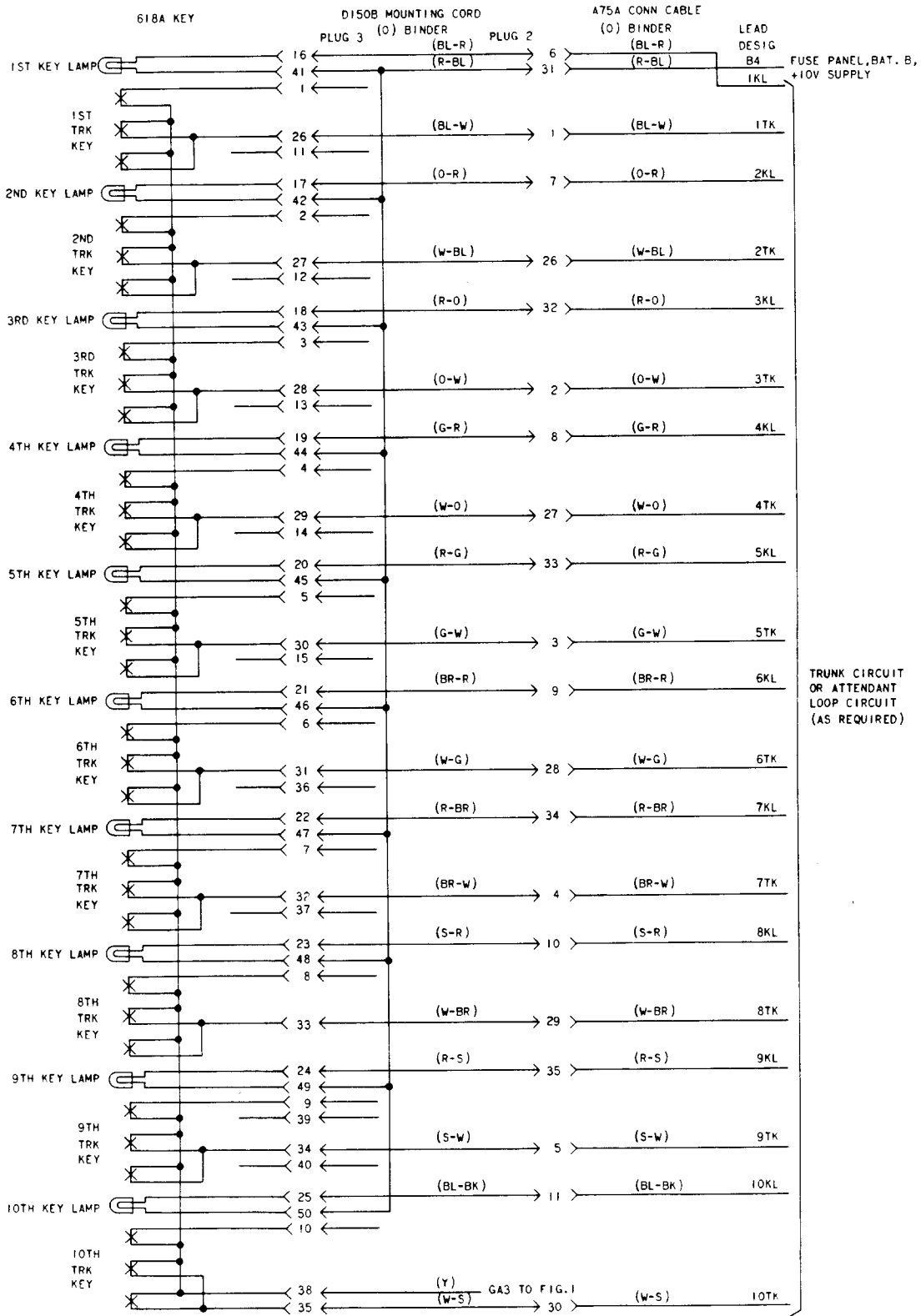


Fig. 6—618A Key (1 to 10 Trunk Keys and Lamps) Connections

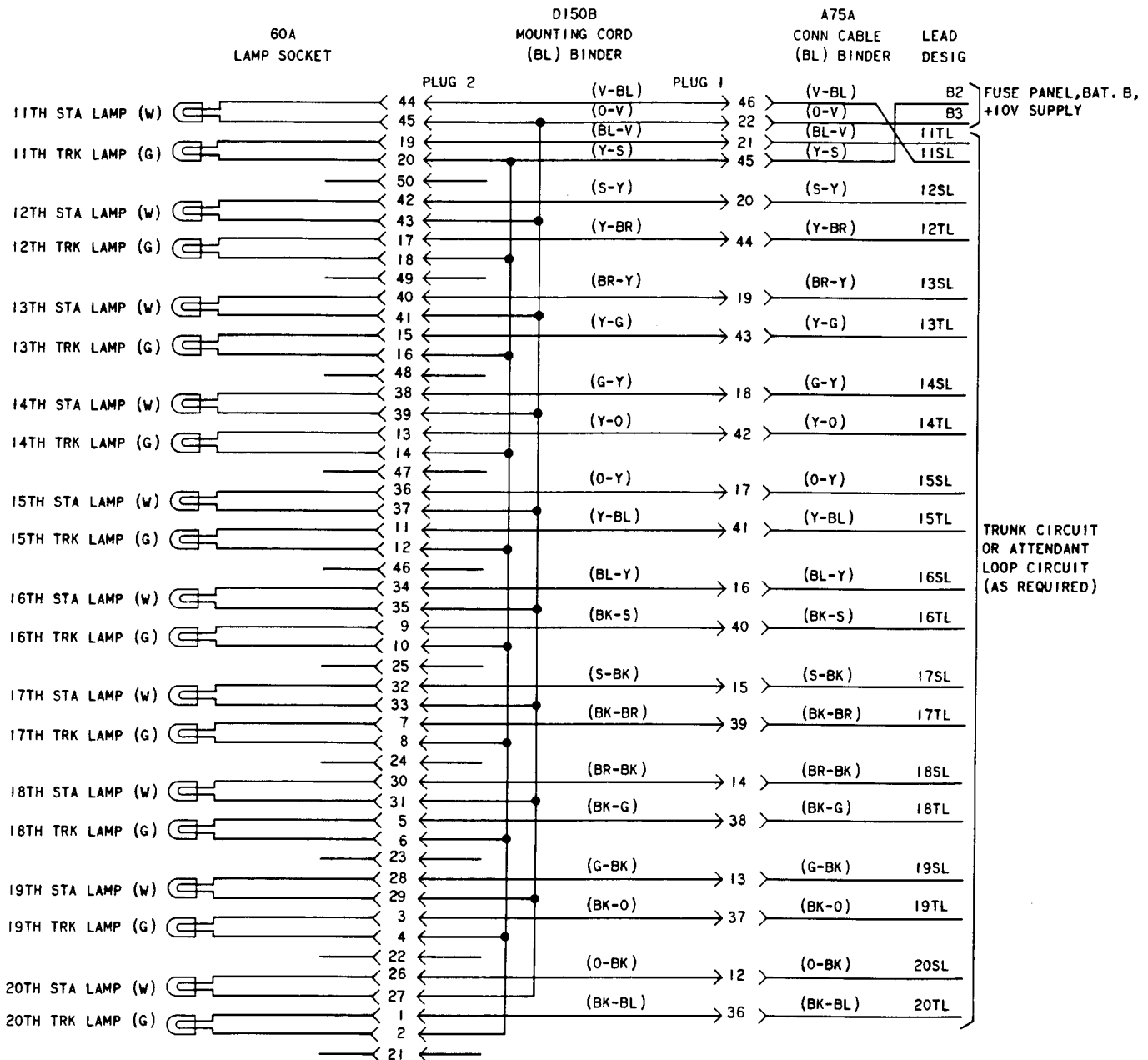


Fig. 7—60A Lamp Socket (11 to 20 Trunk and Station Lamps) Connections

SECTION 502-610-403

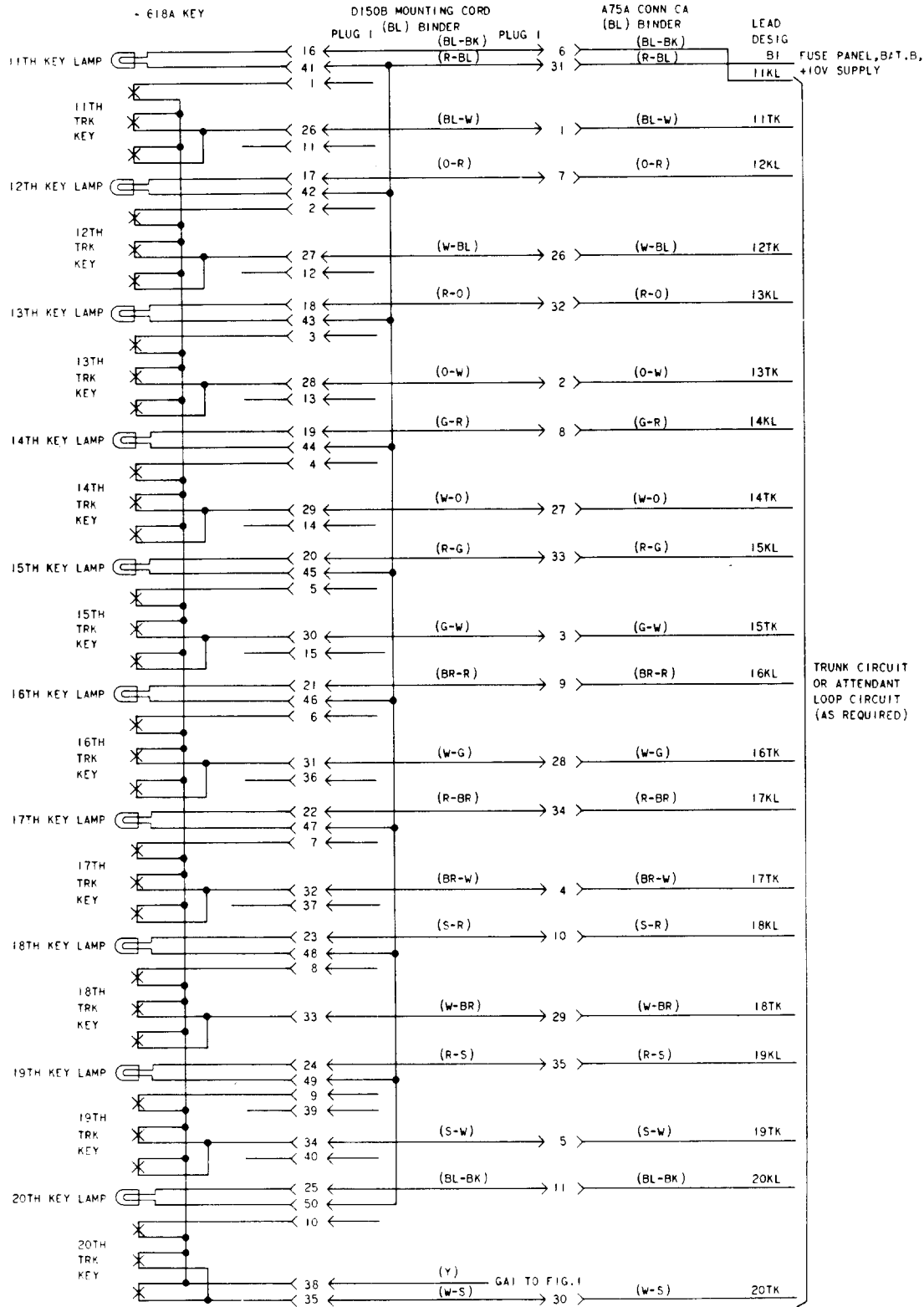


Fig. 8—618A Key (11 to 20 Trunk Keys and Lamps) Connections