

SERVICE
625A1 TELEPHONE SETS

1. GENERAL

1.01 This section contains connections for the 625A1 telephone sets. These are CALL DIRECTOR® sets used exclusively with the 110A key telephone equipment.

1.02 Connection information for these sets was formerly contained in Section 502-625-100.

2. CONNECTION INDEX

Fig. 1—625A1-Telephone Set Connections

Fig. 2—First Module Mounting Cord Connections
For 625A1 Telephone Set

Fig. 3—Second Module Mounting Cord Connections
For 625A1 Telephone Set

Fig. 4—Third Module Mounting Cord Connections
For 625A1 Telephone Set

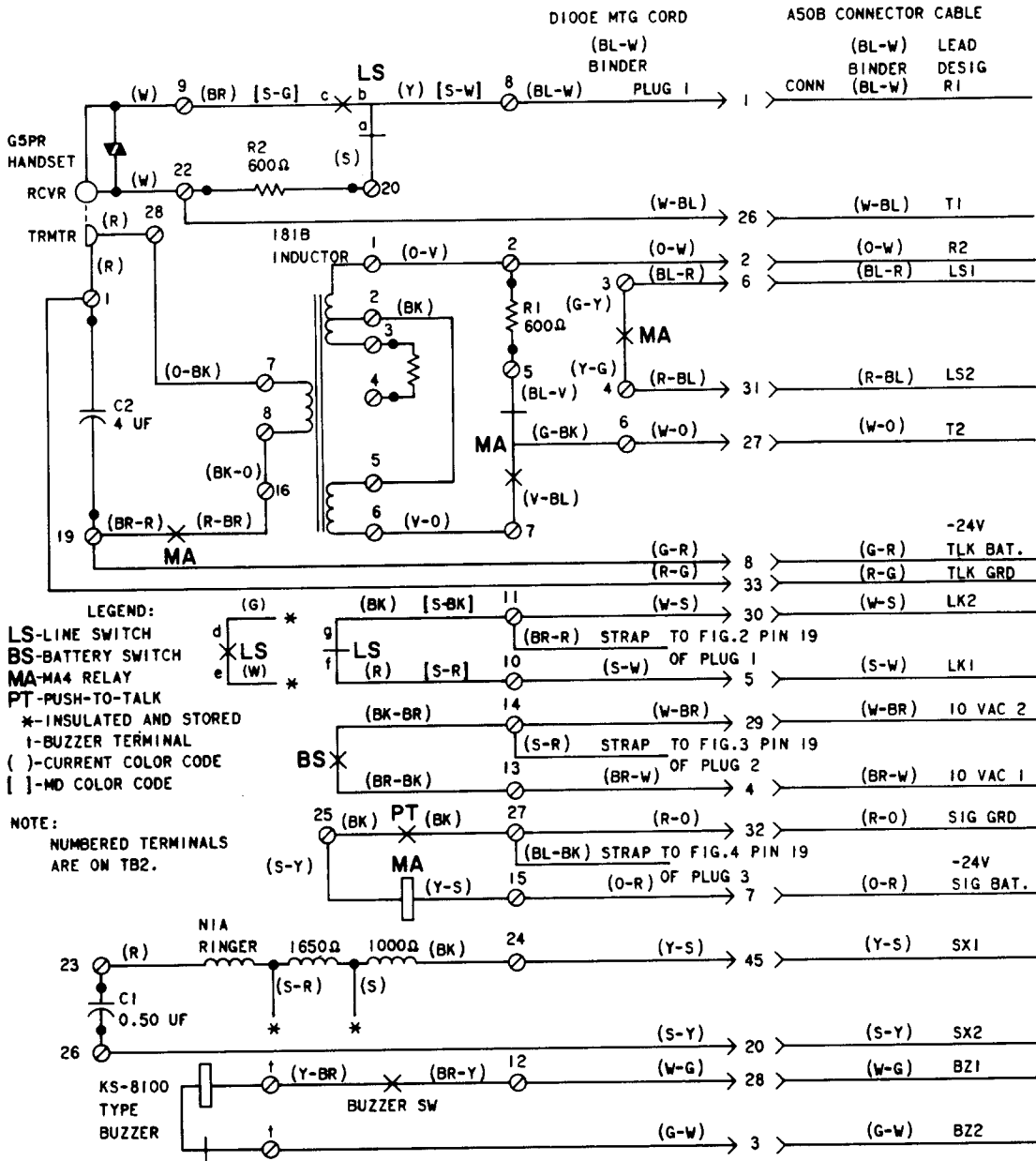


Fig. 1—625A1-Telephone Set Connections

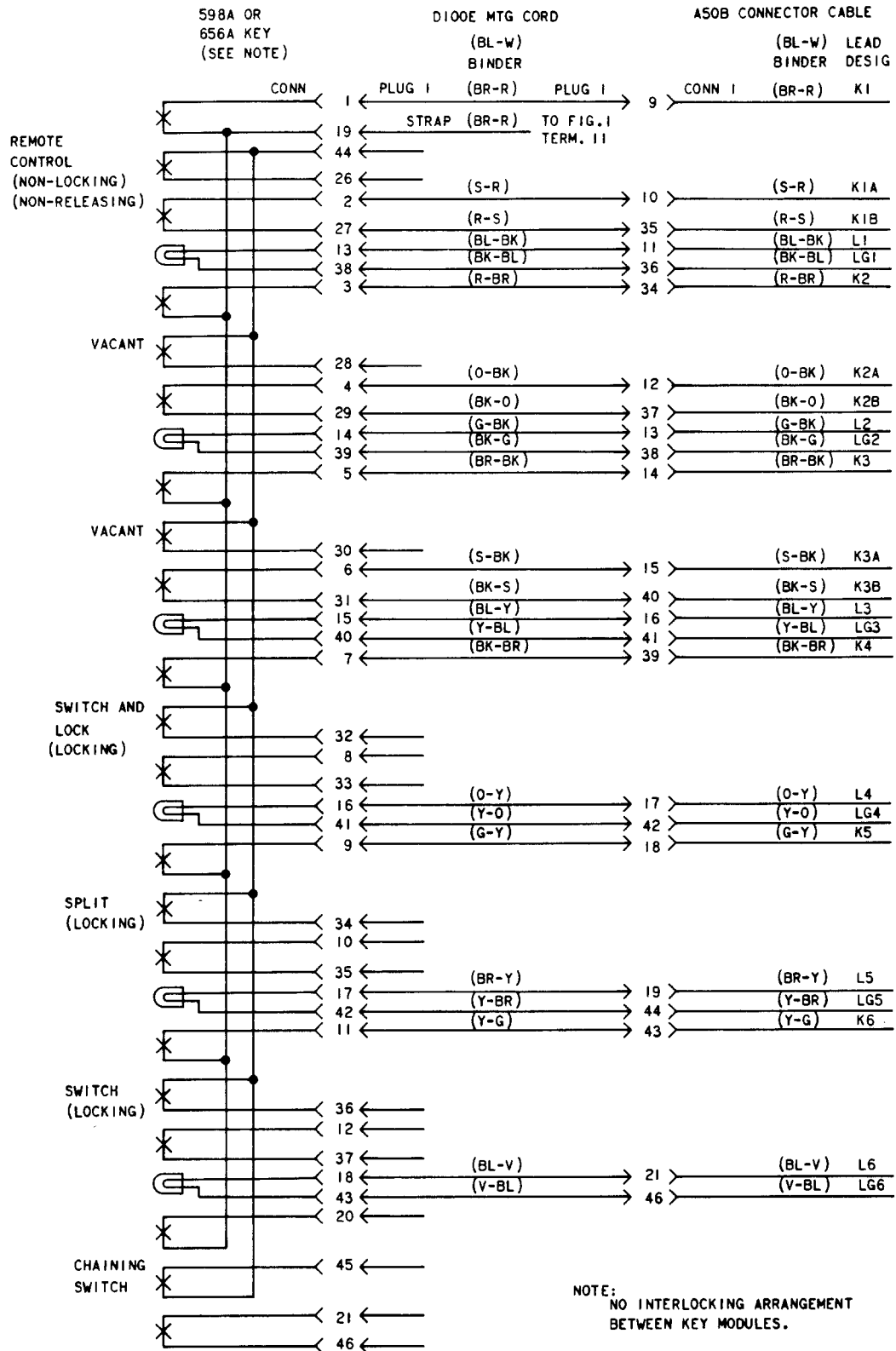


Fig. 2—First Module, Mounting Cord Connections for 625A1 Telephone Set

SECTION 502-610-405

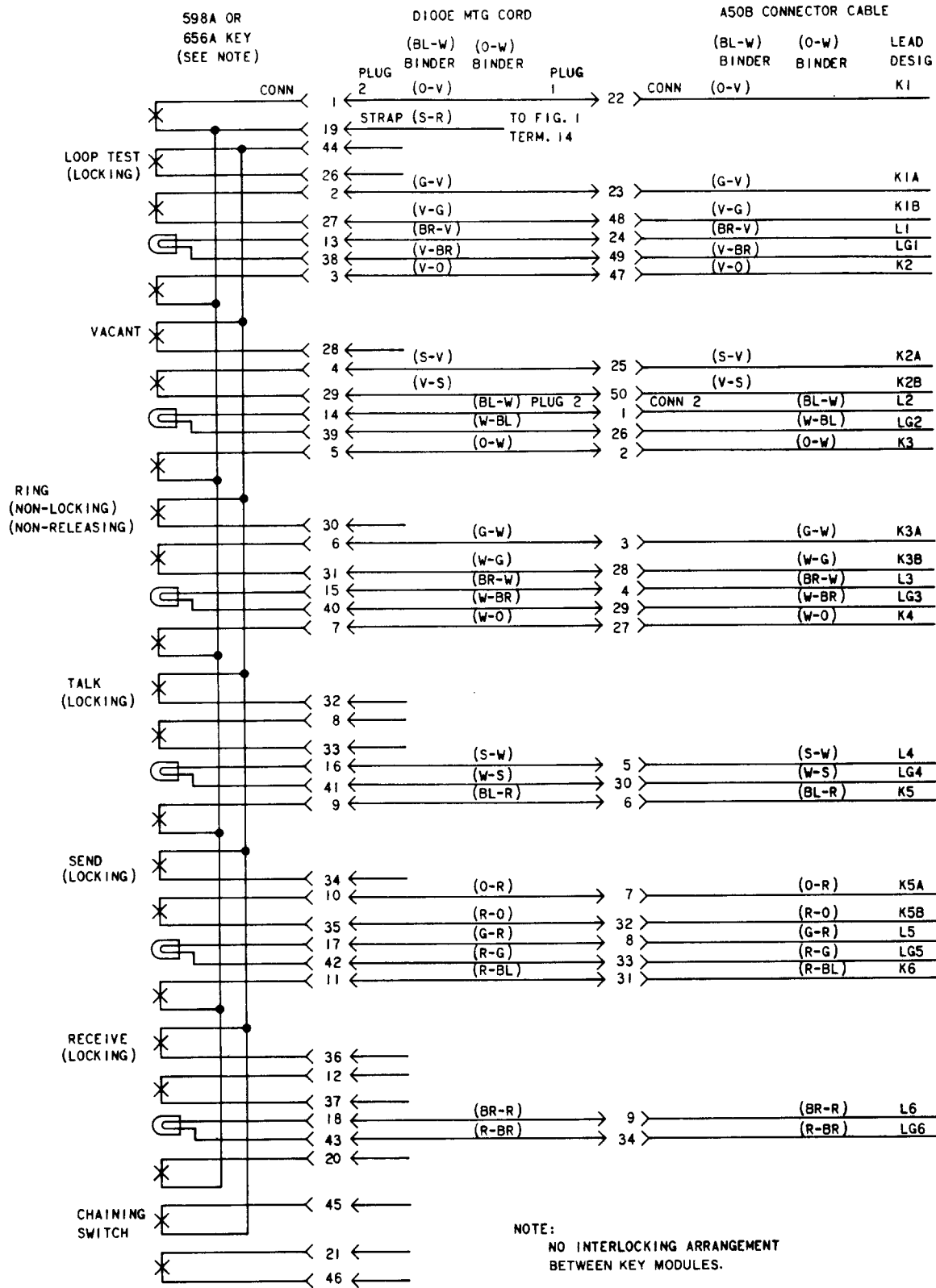


Fig. 3—Second Module Mounting Cord Connections for 625A1 Telephone Set

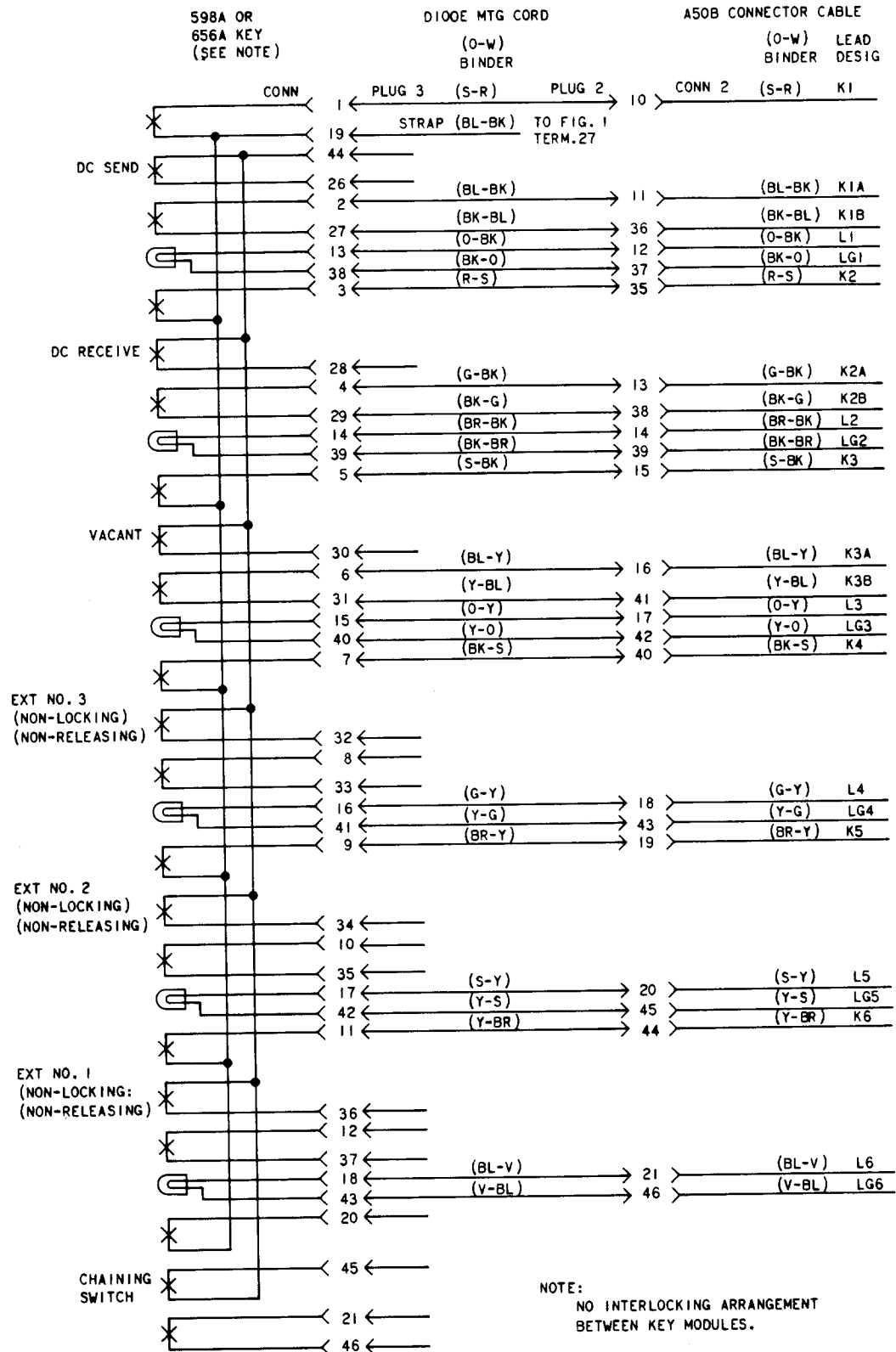


Fig. 4—Third Module Mounting Cord Connections for 625A1 Telephone Set