

SERVICE

2632-TYPE TELEPHONE SETS

1. GENERAL

1.01 This section provides connection information for the 2632-type telephone sets. This information was formerly found in Section 502-630-422 which will be canceled.

2. CONNECTIONS

2.01 The 2632-type telephone set is restricted to use with 1A1, 1A2, or 6A KTS line circuits. The D94B mounting cord does not supply sufficient conductors for use with 1A KTS.

2.02 A 656A or 598A key cannot be used in the first module because of a lack of mounting cord leads.

2.03 The 657B or 599B key (turnbutton) may be used in the first module for cutoff control. Use a 17-, 227-type, or 421A KTU to provide additional contacts for multiple switching purposes (Table A).

2.04 The 12-button 617A key may be used for pushbutton signaling arrangements in either the second or third module. The key is wired to provide a common ground but can be rewired to supply two independent grounds when dissimilar voltage or current connections are required.

2.05 Supplementary hold option can be provided in these sets by the substitution of a 657H or 599H key in the first key modular (left hand) position. Refer to Division 518 and SD-69530-01 for connections. The *I hold* option cannot be used with these sets due to insufficient mounting cord conductors.

2.06 The 656A and 657-type keys are electrically the same and mechanically interchangeable with the 598A and 599-type keys, respectively.

2.07 A bracket for mounting a KS-8109L2 buzzer is provided and is fastened to the dial mounting bracket. If a metal mounting bracket is supplied, the KS-8109L2 buzzer shall be mounted using two nylon screws and two fiber washers to insulate the buzzer from the bracket. When a molded bracket is supplied, the insulating screws and washers are not required. A KS-20419L1 (10 volt AC only) buzzer may be substituted and mounted on the buzzer bracket or any convenient location in the set; mounting screw not furnished.

2.08 When a polarity guard is required with these sets, install a P-90D197 guard assembly and connect as shown in Table B. *Polarity guards should be installed only when authorized by local instructions to prevent battery and ground reversals encountered in end-to-end signaling.*

2.09 Speakerphone connections for the 2632-type telephone set are contained in Division 512.

2.10 The 667B transmitter, in certain CALL DIRECTOR® telephone set installations is subject to noise pickup when a line button is released. This noise is transmitted through the control unit to the line. If this condition is encountered, replace transmitter with one modified by the addition of a D-180196 Kit of Parts. Order as "Transmitter, 667B, Modified per D-180196."



Some spade-tipped conductors or mounting cord leads are insulated with tubing which should be cut off with electrician scissors or diagonal pliers. Other conductors are insulated with stiff plastic pockets. Pinch open the mouth to release the spade tips.

TABLE A
657B OR 599B (TURNKEY) KEY CONNECTIONS

FEATURE	5TH PICKUP KEY	SPADE-TIPPED LEAD OF MTG CORD
	T	
	BK-G	
Cutoff station, buzzer, or bell	To winding of auxiliary re- lay (Note 2)	Term. 4 on Tel Set TB (Note 1)

* Remove from Terminal A1 of TBI

Notes: 1. Extend length of strap leads as necessary using M1W cords and D-161488 connectors.

2. When the turnbutton is used to switch a multi-conductor circuit, an auxiliary relay should be provided externally. Leads of the station, buzzer, or bell connect to contacts of the auxiliary relay.

3. Connect battery on winding of auxiliary relay.

TABLE B
POLARITY GUARD CONNECTIONS
(P-90D197 GUARD ASSEMBLY)

WIRE OR LEAD	COLOR	REMOVE FROM	CONNECT TO	
		NET.	NET.	POLARITY GUARD
Dial	BK	RR		T
	G-W	C		S
Line Switch	W	C		S
Guard Assembly	G		RR	
	W		C	

Note: For use when specified by local instructions for end-to-end signaling installations.

NOTES:

1. WHEN PICKUP KEYS ARE CONNECTED IN THE 2ND OR 3RD MODULE FOR SIGNALING PURPOSES, THE SPADE-TIPPED LEADS ASSOCIATED WITH THE PICKUP KEYS SHALL BE CONNECTED TO THE 5 TERMINAL OF THE MODULE INVOLVED. THESE 5 TERMINALS SHALL THEN BE STRAPPED TO THE SG TERMINAL OF TBI. SEE TABLE B.
 2. THE PB LEAD IS FOR ADD-ON CONFERENCE CONTROL OF THE 6A KTS. TERMINATE ON SPARE TERMINAL OR USE D-161488 CONNECTOR.
 3. WHEN THE 617A KEY IS REQUIRED AS A DUAL-PURPOSE KEY, THE BRASS STRAP BETWEEN THE S1 AND S6 TERMINALS OF THE KEY MAY BE REMOVED. USE M1W CORD OR EQUIVALENT TO CONNECT S1 TERMINAL OF 617A KEY TO A DISSIMILAR GROUND OR A NONGROUND CIRCUIT.
- INSULATED AND STORED
NOT REQUIRED FOR 3-TYPE SPEAKERPHONE

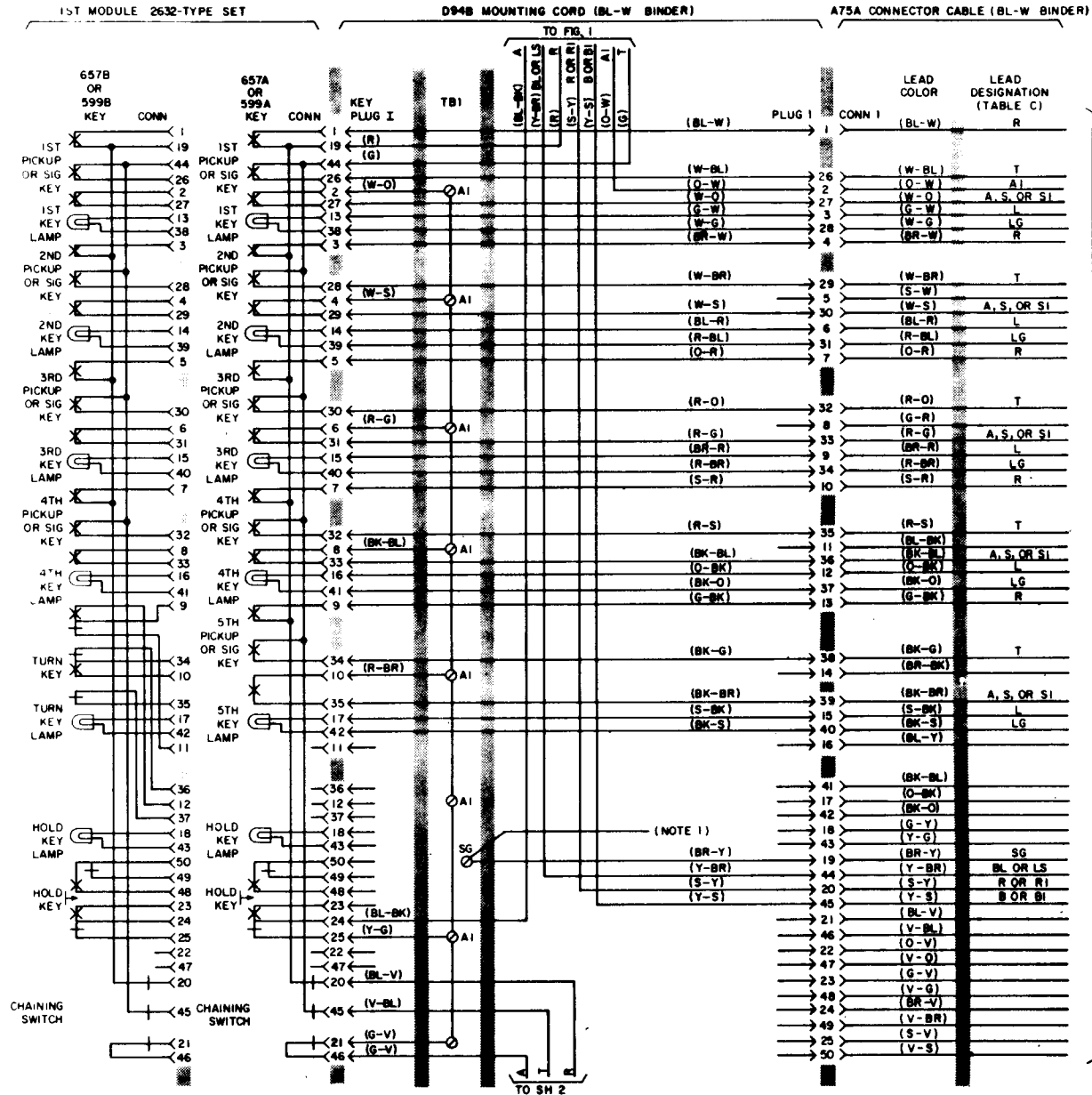


Fig. 2—Modular Arrangements, Cord and Cable Connections for Sets Equipped With D94B Mounting Cord (Sheet 1 or 3)

TO KEY TELEPHONE SYSTEMS IA1, IA2, OR 6A

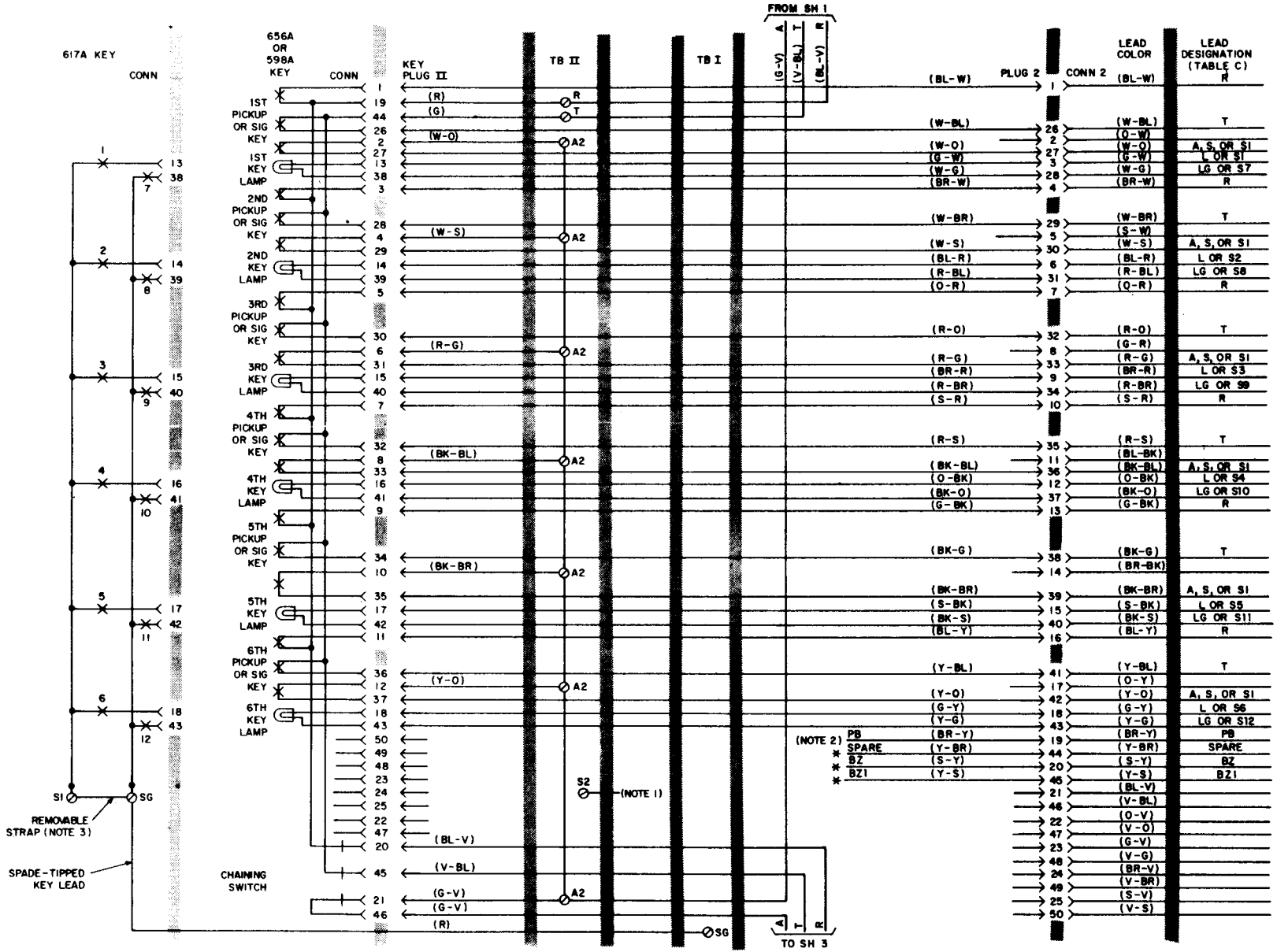


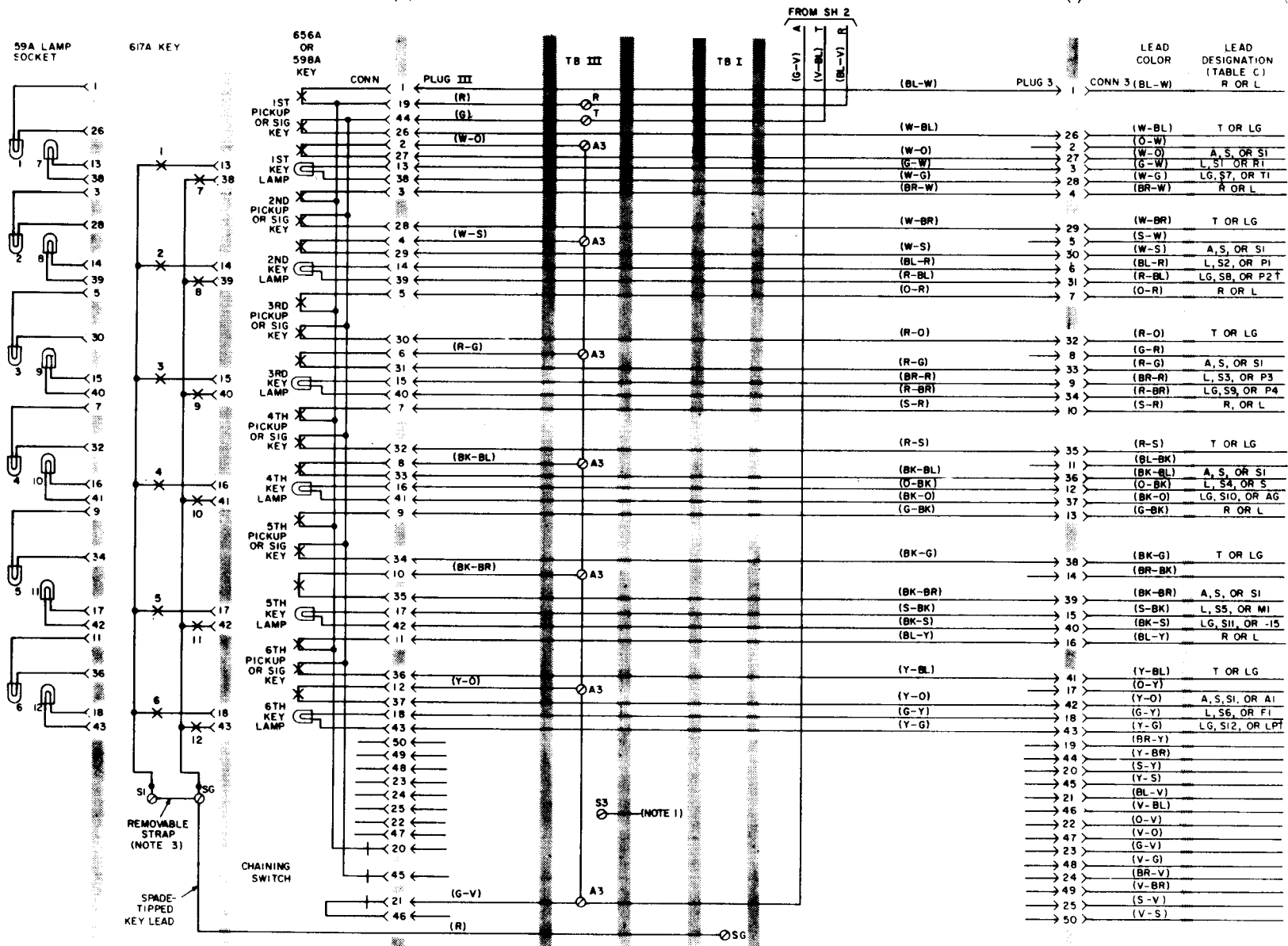
Fig. 2—Modular Arrangements, Cord and Cable Connections for Sets Equipped With D94B Mounting Cord (Sheet 2 of 3)

TABLE C
PICKUP-SIGNAL KEY CONVERSION

NO. OF PICKUP KEYS	NO. OF SIGNAL KEYS	KEY LEADS AND TERMINALS ON MTG CORD					
		(W-O)	(W-S)	(R-G)	(BK-BL)	(BK-BR)	(Y-O) NOTE 4
6		A	A	A	A	A	A
5	1	A	A	A	A	A	S
4	2	A	A	A	A	S	S
3	3	A	A	A	S	S	S
2	4	A	A	S	S	S	S
1	5	A	S	S	S	S	S
	6	S	S	S	S	S	S

Notes:

1. Table C provides conversion for one 6-button unit. Convert buttons of right-hand unit first (Module 3).
2. All key positions are factory assembled as pickup positions. To convert a key position from pickup to signaling, remove the P-10E837 screw detail from the plunger at the key position to be converted.
3. All S terminals used for signaling key connection shall be strapped to the SG terminal of TB1.
4. Lead is on 2nd or 3rd module only.
5. The keys and their associated cords are adaptable for individual signaling but not for common signaling.



TO KEY TELEPHONE SYSTEMS 1A1, 1A2, 6A OR 3-TYPE SPEAKERPHONE SYSTEM

Fig. 2—Modular Arrangements, Cord and Cable Connections for Sets Equipped With D94B Mounting Cord (Sheet 3 of 3)

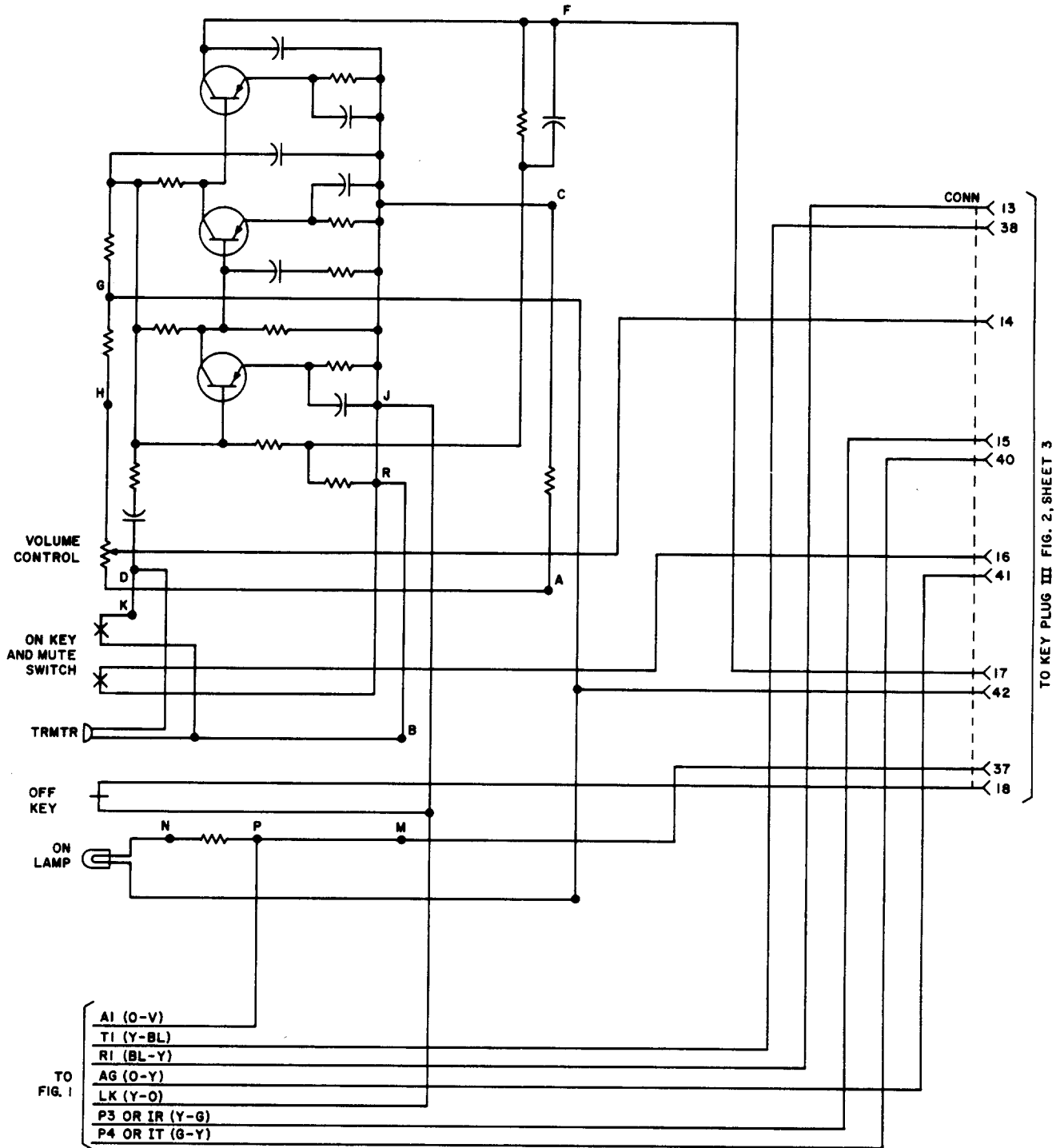
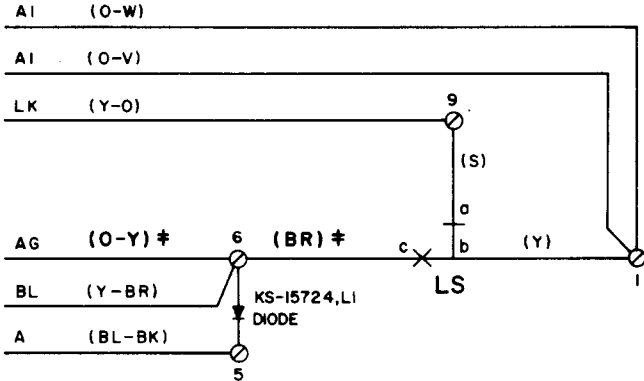


Fig. 3—667B Transmitter Circuit



LEGEND:
†-LEADS INVOLVED IN MODIFICATION
LS-LINE SWITCH

Fig. 4—Station Busy Lamp Modification