

SERVICE

2634D AND 2635D TELEPHONE SETS

1. GENERAL

1.01 This section contains connection and maintenance information for 18- and 30-button telephone sets equipped with 12-button TOUCH-TONE® dials and used with station line concentrators.

1.02 This section is reissued to:

- Change title from 2634- and 2635-type
- Show the 2634D and 2635D telephone sets rated MD
- Add priority hold using 657L key
- Add new insulating detail for 656- and 657-type keys
- Remove common maintenance information which is now covered in Section 502-600-100

2. CONNECTIONS

2.01 See SD-69498-01 (key telephone systems, 6A, 1A1, and 1A2, station line concentrator) and appropriate sections in Division 518 for connections to station line concentrator using 235B or 236B key telephone units.

2.02 A 235B KTU is associated with each 2634D telephone set and a 236B KTU with each 2635D telephone set. Because of the single common talking and control lead pattern in these sets, a line concentrator KTU must be associated with each telephone set installed and cannot be shared, even on a bridged station basis.

2.03 A 599B or 657B key may be used in the first key position to provide ringer or line cutoff (Notes 5 and 6, Fig. 2 or 3). When other uses are required, they must be provided for by means of an auxiliary relay separately mounted and controlled by the turn key contacts since there are insufficient mounting cord conductors to permit full switching at the key.

2.04 Priority hold can be supplied in these sets by installing a 657L key in the first module and modifying set as shown in Fig. 5. Refer to Section 518-310-405 for connections to the 235- or 236-type KTU and to Section 518-215-125 and SD-69530-01 for connections to the 429A and 430A KTUs.

2.05 To convert a key position from pickup (locking) to signaling (nonlocking) remove the screw detail P-10E837 entirely from the plunger at the key position to be converted. Make the necessary wiring changes as shown in Table B and use 840157473 insulating detail to isolate the ring and tip contacts. Refer to Division 512, section entitled Modular Keys, Lamp Sockets, and Transmitters (KS-Type connector Equipped) for more information on keys and insulators.

3. MAINTENANCE

3.01 Maintenance of handsets, dials, and ringers is covered in Division 501 and modular keys in Division 512.

3.02 Refer to the appropriate Reference section in Division 502 for replaceable components.

3.03 For maintenance information covering these sets refer to Section 502-600-100.

TABLE A — FEATURE CONVERSION OF TELEPHONE SETS

KEY POSITION		SERVICE FEATURE OPTIONS								LINE PICKUP
		BUZZER SIGNALING		6A ADD-ON		6A PUSHBUTTON		LOCKED-IN LAMP RELEASE		
		CONNECT STORED SPADE-TIPPED LEAD INDICATED TO TERM. SG OF TB VI.	DISCONNECT SPADE-TIPPED LAMP LEAD INDICATED FROM ASSOC TB. INSULATE AND STORE.	CONNECT STORED SPADE-TIPPED LEAD INDICATED TO TERM PB OF TB VI.	DISCONNECT SPADE-TIPPED LAMP LEAD INDICATED FROM ASSOC TB. INSULATE AND STORE.	CONNECT STORED SPADE-TIPPED LEAD INDICATED TO TERM. A OR 1A OF TB VI.	DISCONNECT SPADE-TIPPED LAMP LEAD INDICATED FROM ASSOC TB. INSULATE AND STORE.	CONNECT STORED SPADE-TIPPED LEAD INDICATED TO TERM. SG OF TB VI.	MOVE SPADE-TIPPED LAMP LEAD INDICATED FROM ASSOC TB TO AVAIL. LAMP GRD.	
2634 TEL SET	2635 TEL SET									
1	1	BL	R-BR	BL	R-BR	BL	R-BR	BL	R-BR	Factory equipped and wired
2	2	O	R-S	O	R-S	O	R-S	O	R-S	
3	3	G	BK-BL	G	BK-BL	G	BK-BL	G	BK-BL	
4	4	BR	BK-O	BR	BK-O	BR	BK-O	BR	BK-O	
5	5	S	BK-G	S	BK-G	S	BK-G	S	BK-G	
6		NOT CONVERTIBLE								Replace 599A or 657A key with 598A or 656A key. Connect G-R to avail. lamp grd. Connect W-O to term. A or 1A of TB VI.
	6	2635—Connect W to term. SG of TB VI. Connect one of two spares (S-BK or BK-S) from Plug 2 to term. 6 of TBI.	2635—Connect W to term. PB of TB VI. Connect one of two spares (S-BK or BK-S) from Plug 2 to term. 6 of TBI.	2635—Connect W to term. 1A of TB VI. Connect one of two spares (S-BK or BK-S) from Plug 2 to term. 6 of TBI.	2635—Connect W to term. SG of TB VI. Connect one of two spares (S-BK or BK-S) from Plug 2 to term. 6 of TBI. Connect G-R to avail. lamp grd.					
7	7	BL	BK-BR	BL	BK-BR	BL	BK-BR	BL	BK-BR	Factory equipped and wired
8	8	O	BK-S	O	BK-S	O	BK-S	O	BK-S	
9	9	G	Y-BL	G	Y-BL	G	Y-BL	G	Y-BL	
10	10	BR	Y-O	BR	Y-O	BR	Y-O	BR	Y-O	
11	11	S	Y-G	S	Y-G	S	Y-G	S	Y-G	
12	12	W	Y-BR	W	Y-BR	W	Y-BR	W	Y-BR	
	13	BL	W-BL	BL	W-BL	BL	W-BL	BL	W-BL	
	14	O	W-O	O	W-O	O	W-O	O	W-O	
	15	G	W-G	G	W-G	G	W-G	G	W-G	
	16	BR	W-BR	BR	W-BR	BR	W-BR	BR	W-BR	
	17	S	W-S	S	W-S	S	W-S	S	W-S	
	18	W	R-BL	W	R-BL	W	R-BL	W	R-BL	
	19	BL	R-O	BL	R-O	BL	R-O	BL	R-O	
	20	O	R-G	O	R-G	O	R-G	O	R-G	
	21	G	R-BR	G	R-BR	G	R-BR	G	R-BR	
	22	BR	R-S	BR	R-S	BR	R-S	BR	R-S	
	23	S	BK-BL	S	BK-BL	S	BK-BL	S	BK-BL	
	24	W	BK-O	W	BK-O	W	BK-O	W	BK-O	
13	25	BL	Y-S	BL	Y-S	BL	Y-S	BL	Y-S	
14	26	O	V-BL	O	V-BL	O	V-BL	O	V-BL	
15	27	G	V-O	G	V-O	G	V-O	G	V-O	
16	28	BR	V-G	BR	V-G	BR	V-G	BR	V-G	
17	29	S	V-BR	S	V-BR	S	V-BR	S	V-BR	
	30	W	V-S	W	V-S	W	V-S	W	V-S	
18		W	V-S	W	V-S	W	V-S	W	V-S	Connect R-BL to avail lamp grd.

SECTION 502-612-403

NOTES FOR FIG. 2 AND 3:

1. WHEN 657A, 599A OR 657B, 599B KEYS ARE USED IN FIRST MODULE, HOLD KEY LAMP (6TH LAMP) MAY BE USED FOR A MISCELLANEOUS VISUAL SIGNAL. CONNECT INDICATED LEAD TO AN AVAILABLE LAMP GROUND. WHEN 656A OR 598A KEY IS USED IN FIRST MODULE, INDICATED LEAD IS CONNECTED TO GROUND ON TERMINAL 5 OF TBI.
 2. WHEN 656A OR 598A KEY IS USED IN FIRST MODULE, INDICATED LEAD IS CONNECTED TO TERMINAL A (2634D) AND TERMINAL 1A (2635D) OF TBVI.
 3. WHEN 656A OR 598A KEY IS USED IN THIRD MODULE OF 2634D OR 2635D SET (V-S) LEAD IS CONNECTED TO TERMINAL 5 OF TBIII ON 2634D SET AND (R-BL) IS CONNECTED TO TERMINAL 6 OF TBIII ON 2635D SET.
 4. TO CONVERT A PICKUP KEY FROM LOCKING TO NONLOCKING THE CONVERSIONS SHOWN IN TABLE B MUST BE FOLLOWED. REMOVE THE SCREW DETAIL P-10E837 ENTIRELY FROM THE PLUNGER AT THE KEY POSITION TO BE CONVERTED, AND USE 840157473 INSULATING DETAIL TO ISOLATE THE TIP AND RING CONTACTS.
 5. CUTOFF OF THE INTERNAL RINGER CAN BE PROVIDED USING THE 657B OR 599B KEY IN FIRST MODULE. TRANSFER RI (BL-R) LEAD FROM TERMINAL 3 OF TERMINAL BOARD (TEL SET) TO TERMINAL 6 OF TBI. TRANSFER (R) LEAD FROM TERMINAL 5 OF TBI TO TERMINAL 3 VACATED BY RI LEAD.
 6. WHEN 657B OR 599B KEY IS USED IN FIRST MODULE TO PROVIDE CUTOFF, SWITCHING, OR TRANSFER FEATURES, TRANSFER (Y-BR) LEAD FROM TERMINAL 6 OF TBI TO TERMINAL 5G OF TBVI. THESE SERVICE FEATURES ARE PROVIDED BY AN AUXILIARY RELAY (229B KTU OR EQUIVALENT) SEPARATELY MOUNTED AND CONTROLLED BY THE TURN KEY CONTACTS THROUGH THE LGS, C, S, SI LEADS.
 7. CONTACTS OF TURN KEY CONNECTED TO PINS 9 AND 11 MUST BE ISOLATED FROM EACH OTHER WITH INSULATING DETAIL P-13E443 (FURNISHED WITH 657B OR 599B KEY) TO PREVENT INTERFERENCE WITH WORKING CIRCUITS.
 8. THE TURN KEY LAMP CAN BE ILLUMINATED IN ACCORDANCE WITH OR INDEPENDENT OF TURN KEY OPERATION.
 9. WHEN THE 617A KEY IS REQUIRED AS A DUAL PURPOSE KEY, THE BRASS STRAP BETWEEN THE SI AND SG TERMINALS OF THE KEY MAY BE REMOVED. USE MIW CORD OR EQUIVALENT TO CONNECT SI TERMINAL OF 617A TO A DISSIMILAR GROUND OR A NONGROUND CIRCUIT.
 10. CORDS MANUFACTURED BEFORE APRIL 1968 HAVE SOME LEADS SOLDERED TO THE TB.
 11. WHEN 661- OR 667-TYPE TRANSMITTER IS USED IN THIRD MODULE OF 2634D SET, REMOVE INDICATED LEAD AND INSULATE.
 12. WHEN SPEAKERPHONE CONTROL UNIT IS LOCATED NEAR TELEPHONE SET, A 148A (MD) OR 148B ADAPTER MAY BE INSERTED BETWEEN CONNECTOR 1 AND PLUG 1 OF THE 2634D OR 2635D TELEPHONE SET.
- * LEADS ARE SPADE-TIPPED, INSULATED, AND STORED.
† NOT REQUIRED FOR 3-TYPE SPEAKERPHONE SYSTEM.
‡ IF 148-TYPE ADAPTER IS USED, INSULATE AND STORE THESE LEADS AT TERMINAL.

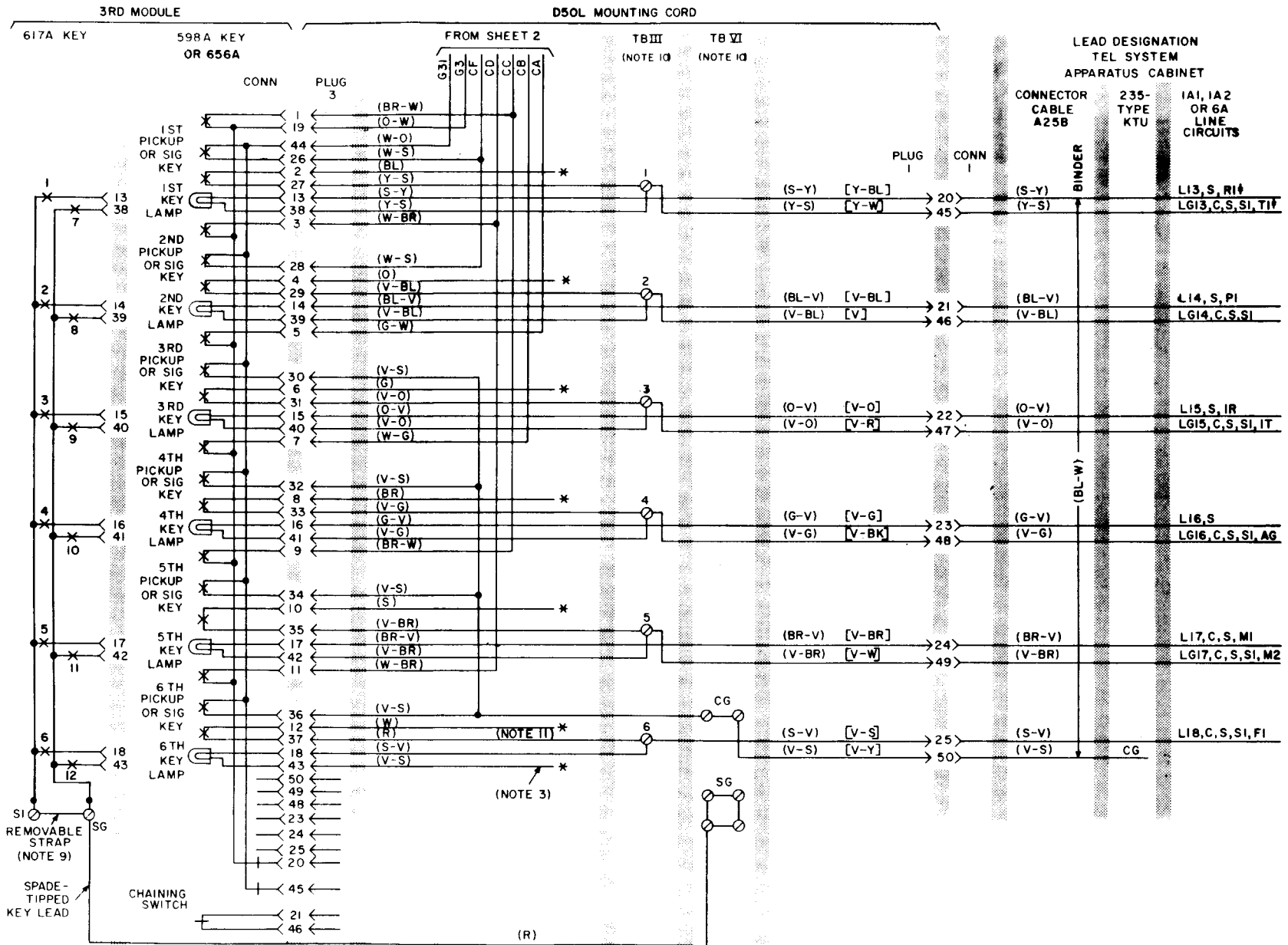


Fig. 2—Module Arrangements and Cord and Cable Connections for 2634D (MD) Telephone Sets (Sheet 3 of 3)

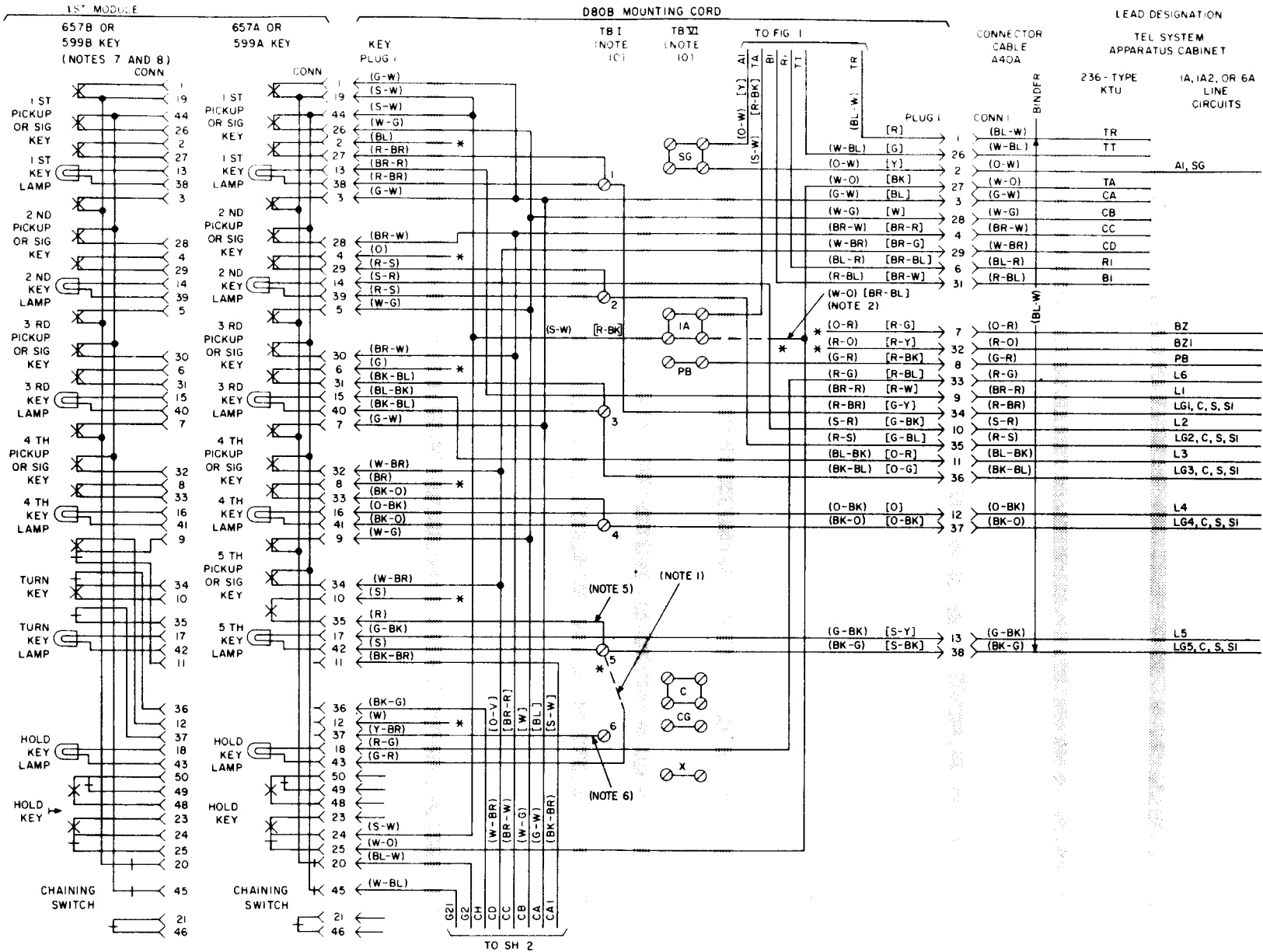


Fig. 3—Module Arrangements and Cord and Cable Connections for 2635D (MD) Telephone Sets (Sheet 1 of 5)

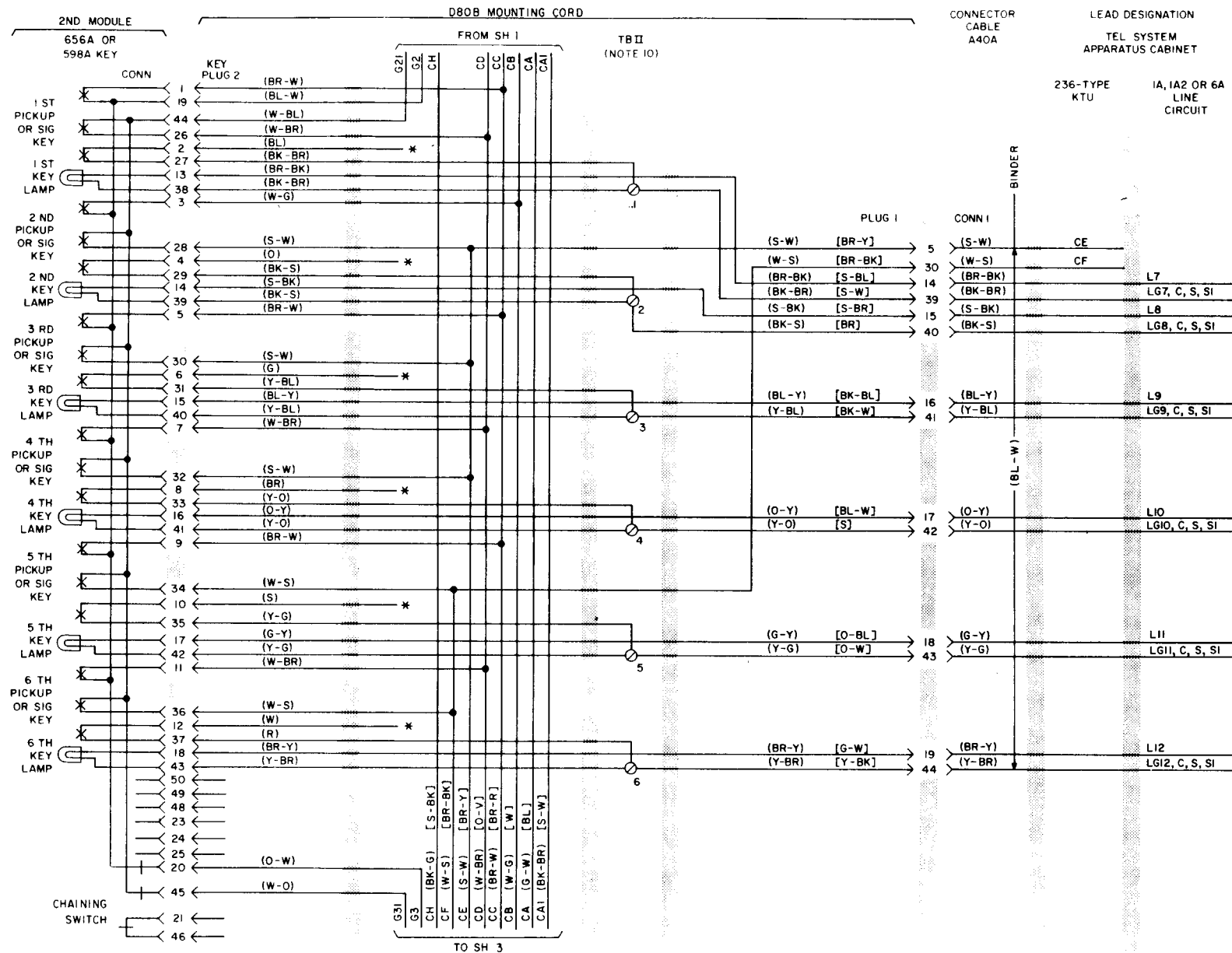


Fig. 3—Module Arrangements and Cord and Cable Connections for 2635D (MD) Telephone Sets (Sheet 2 of 5)

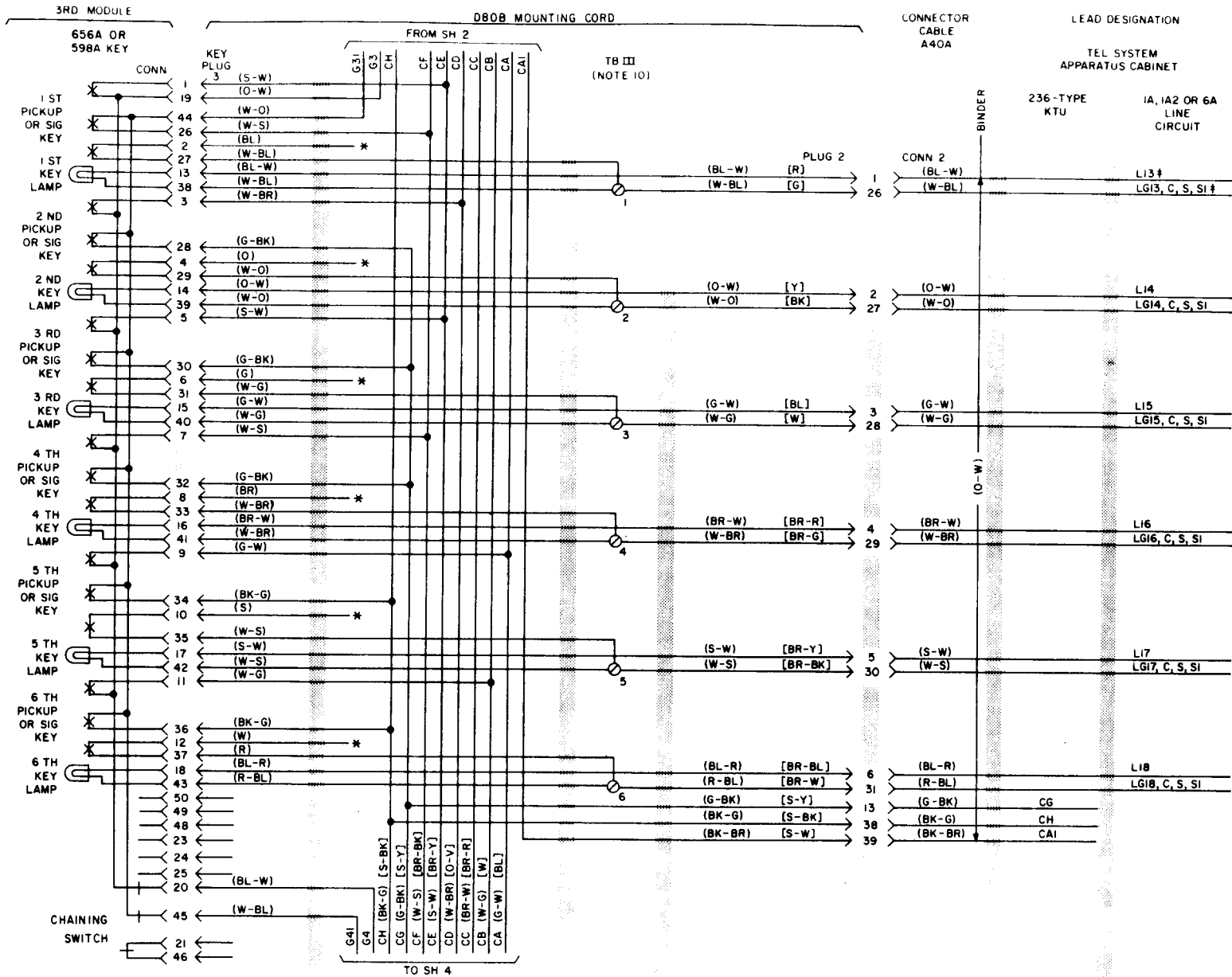


Fig. 3—Module Arrangements and Cord and Cable Connections for 2635D (MD) Telephone Sets (Sheet 3 of 5)

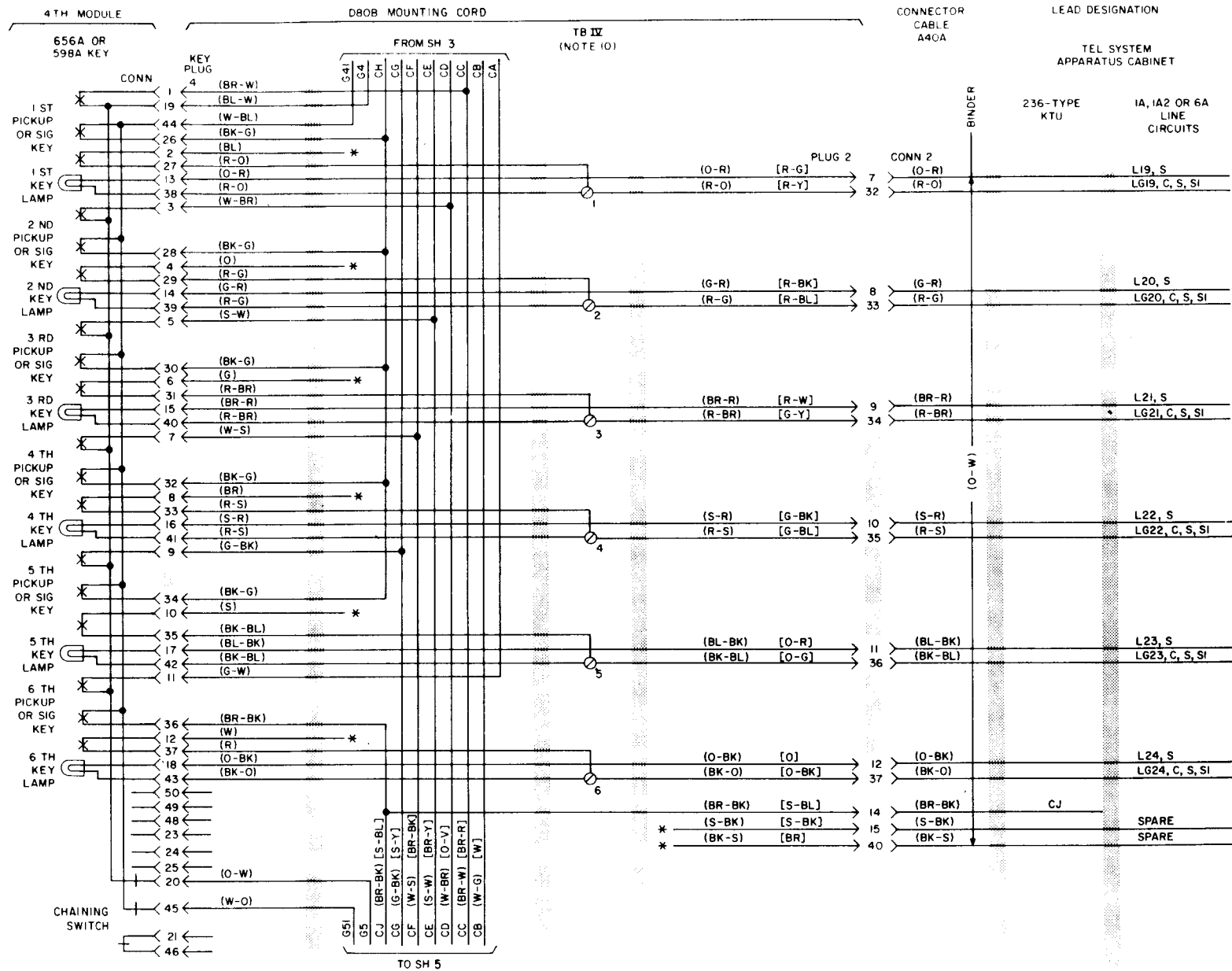


Fig. 3—Module Arrangements and Cord and Cable Connections for 2635D (MD) Telephone Sets (Sheet 4 of 5)

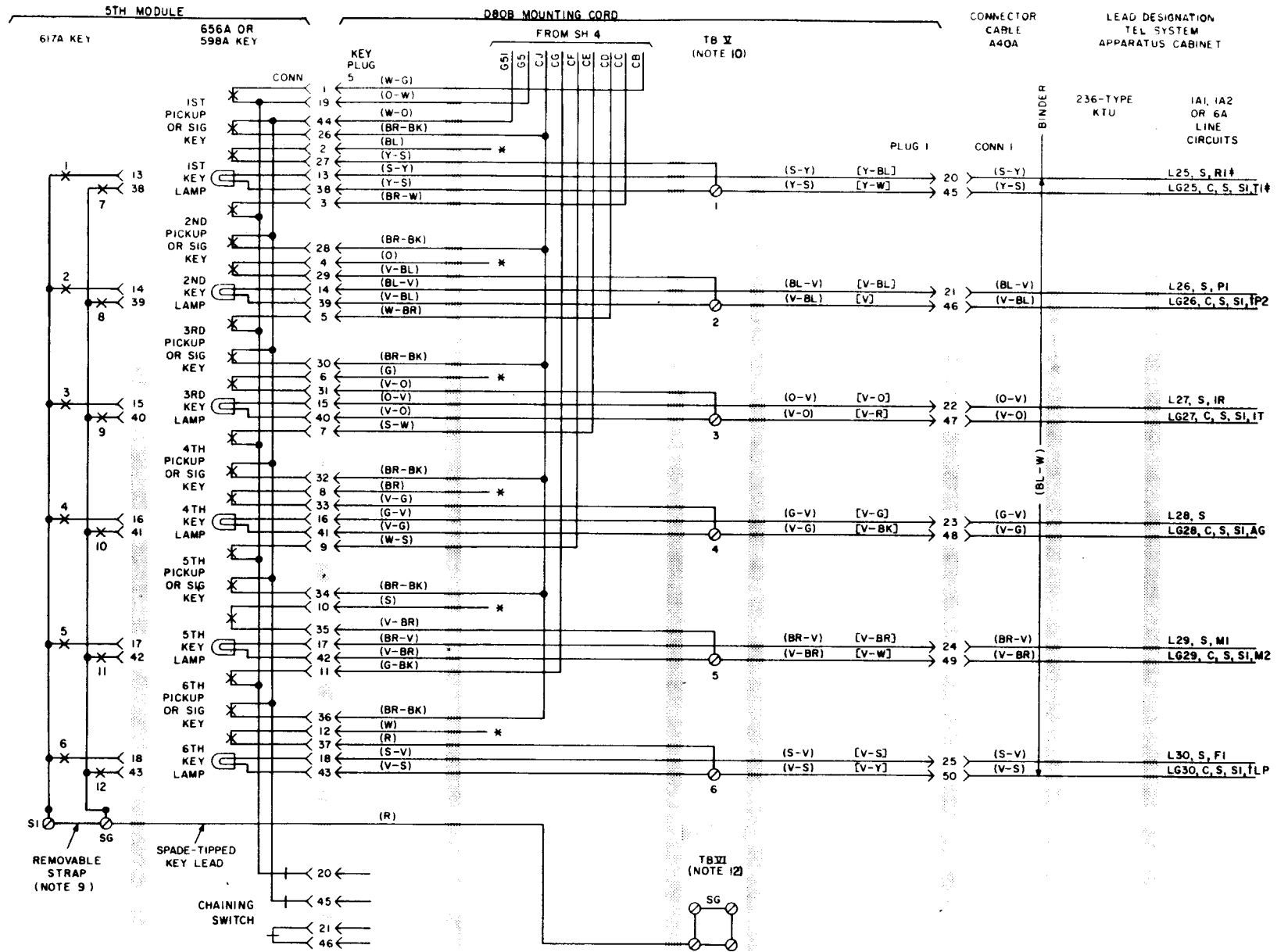
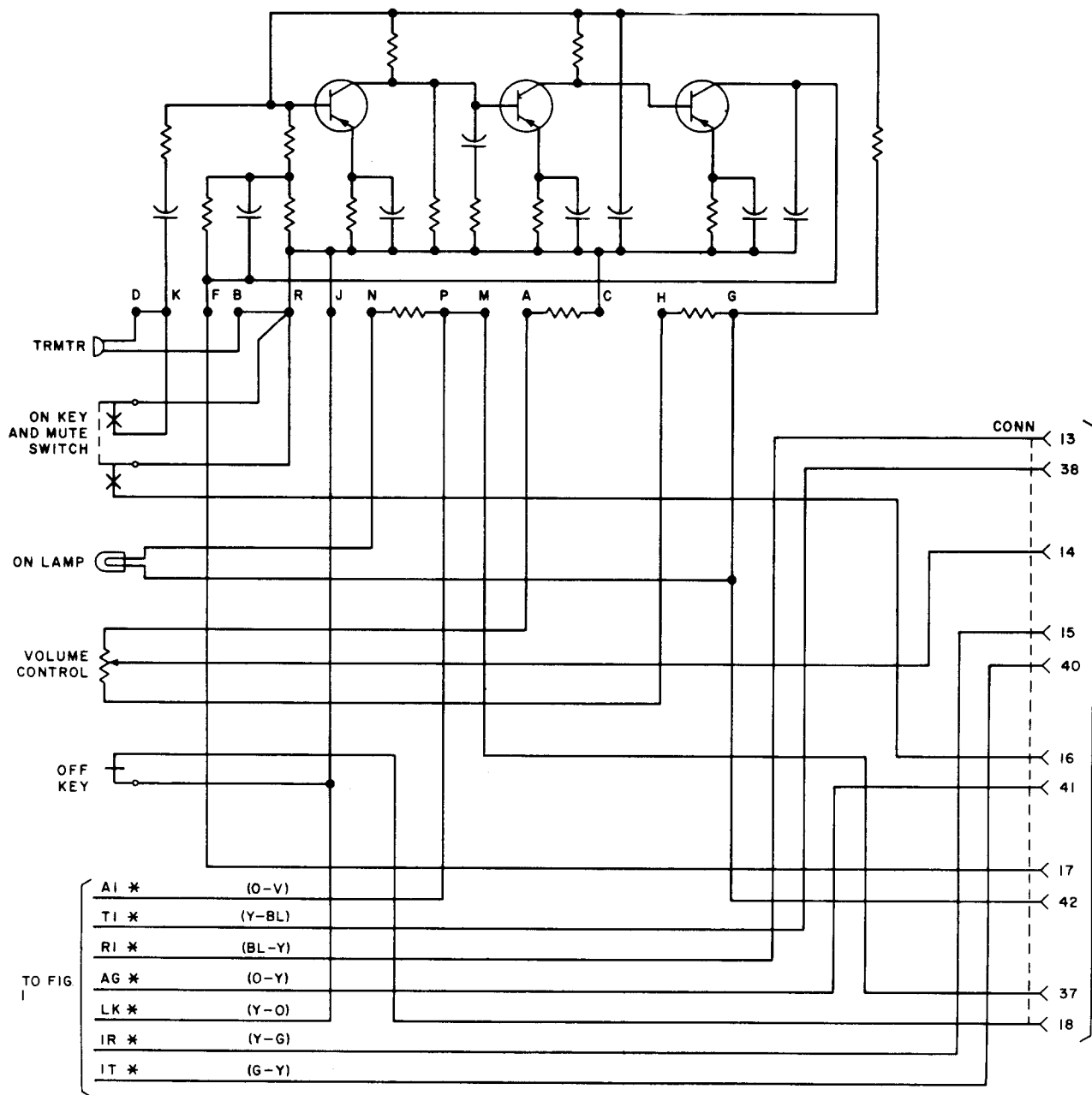


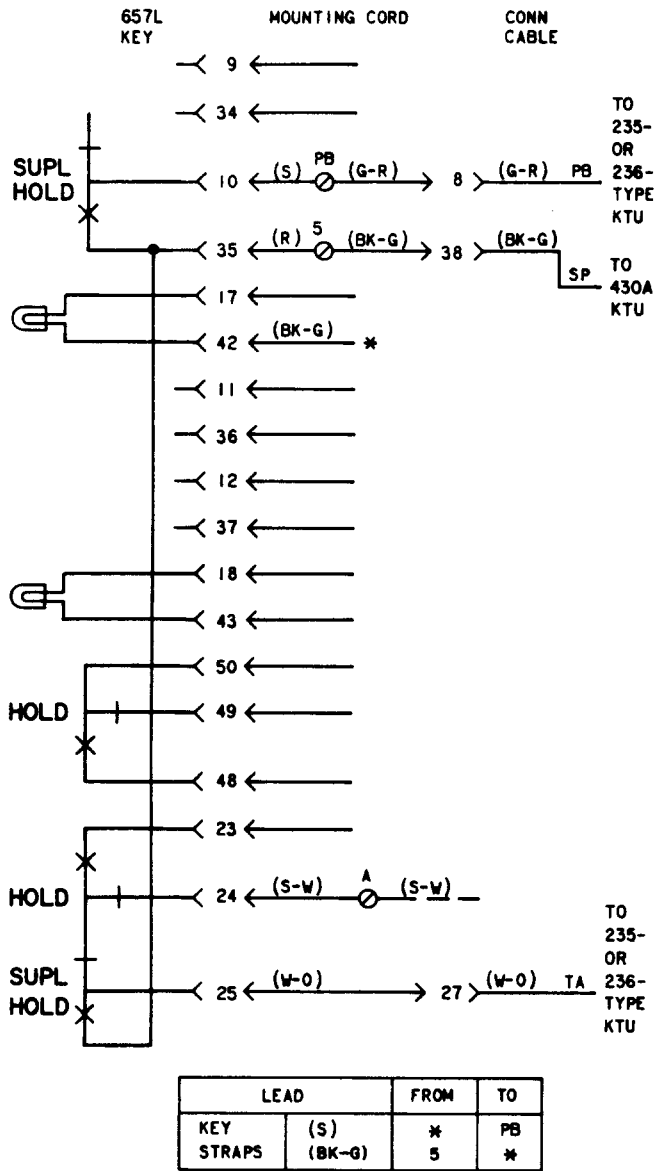
Fig. 3—Module Arrangements and Cord and Cable Connections for 2635D (MD) Telephone Sets (Sheet 5 of 5)



TO FIG. 2 OR FIG. 3

* LEADS ARE SPADE TIPPED AND OF SUFFICIENT LENGTH TO REACH NETWORK OR DIAL TERMINAL WHEN SPEAKERPHONE MODULE IS IN THE FIFTH KEY POSITION.

Fig. 4—667B Transmitter



* - INSULATED AND STORED

TPA 563669

TABLE B

P-90D197 POLARITY GUARD CONNECTIONS

LEAD		REMOVE FROM	CONNECT TO
Line Switch	(W)	C*	S†
	(G-W)		
Dial	(BK)	RR*	T†
	(W)		C*
Polarity Guard	(G)		RR*

*Network terminal.

†Polarity guard terminal.

Note: Polarity guards shall be installed only when specified by local instructions for end-to-end signaling.

Fig. 5—Priority Hold, Using 657L Key