

## SERVICE

### 2634- AND 2635-TYPE TELEPHONE SETS

### CONNECTIONS AND MAINTENANCE

#### 1. GENERAL

**1.01** This section contains information for 2634DA (MD), 2634DAM (MD), 2634DAMS1 (18-button) and 2635DA (MD), 2635DAM (MD), 2635DAMS1 (30-button) CALL DIRECTOR® telephone sets used with station line concentrator (Fig. 1, 2, 3, and 4).

**1.02** This section is reissued to:

- Show 2634DAM and 2635DAM telephone set MD
- Show 3-type speakerphone MD
- Show 819041971 (P-90D197) guard assembly MD
- Add information on 2634DAMS1 and 2635DAMS1 telephone sets
- Add information on D-181006 Kit of Parts.

**1.03** ♦All four letter coded sets are furnished from the factory in only the numerical code (1), and all other coded sets are rated MD. Sets may be equipped with different modular key arrangements by ordering the appropriate 635-, 658-type key, or 76A lamp socket. Refer to Section 502-603-101 for recommended layout arrangement of field-installed keys.

**1.04** The 2634DAMS1 and 2635DAMS1 sets are furnished equipped with a new line switch which breaks both the tip and ring side of the line instead of the ring side only.♦

#### 2. CONNECTIONS

**2.01** These sets are factory-wired for use with 1A1, 1A2, 6A, or ♦6B♦ key telephone system

(KTS). Refer to Division 518 for connections using 235- or 236-type key telephone units (KTU).

**2.02** A 235-type KTU is associated with each 2634-type telephone set and a 236-type KTU with each 2635-type telephone set. Because of the single common talking and control lead pattern in these sets, a line concentrator KTU must be associated with each telephone set installed and cannot be shared, even on a bridged station basis.

**2.03** The 2634- and 2635-type sets that are provided with D50AH (MD) or D80D (MD) mounting cords require contact strip assemblies on the 635-type keys. These sets are normally provided with a 635A5C key (5-line pickup and hold) in the first module. If desired, the 635A5C key can be replaced with a 635AD5C key (4-line pickup, cutoff, and hold). In this case the contact strip assemblies for the 635AD5C key (840151039 and 840151047) are furnished with the key.

**Note:** Contact strips are not required with sets equipped with D50BD or D80E mounting cord. A and A1 are common to all pickup buttons through internal mounting cord wiring.

**2.04** Because of the physical arrangement of the 635-type key, the contact strips do not extend to the chaining switch. This requires additional A1 leads to each module (except the last), to extend A lead control.

**2.05** Mounting cords of these CALL DIRECTOR sets terminate in individual plugs connected to the rear of the keys. This permits rearrangement of line appearances either in the set or at the key equipment distribution point. Current production sets are equipped with a satin-silver (-87) mounting cord.

#### NOTICE

Not for use or disclosure outside the  
Bell System except under written agreement

## SECTION 502-612-409

**2.06** The D50AH (MD) and D80D (MD) mounting cords are replaced by D50BD and D80E, respectively.

**2.07** All line key positions are convertible from pickup (locking) to signaling (nonlocking). To convert a key position to signaling, remove the 812857738 (P-28E773) screw detail from the key position involved and place 840157671 insulating details over the two key contacts adjacent to the plunger (refer to Section 512-230-101). Make necessary wiring changes as shown in Table A for 2634-type and Table B for 2635-type.

**Note:** If more than six signaling keys are required, replace 635G5C key in last module with a 658A key.

**2.08** The 2634- and 2635-type telephone sets are factory equipped with a KS-20419L1 (10 volt ac only) buzzer. Provisions are made for mounting one KS-8109L2 buzzer when an additional buzzer is desired.

**2.09** For 3-type (MD) speakerphone operation, a 679A transmitter may be installed in 3rd or 5th module of 2634- or 2635-type set, respectively. For necessary wiring changes and connections, see Table C and Fig. 5.

**2.10** For use with a 4A speakerphone, refer to Section 512-730-400.

### **Polarity Guard**

**2.11** When required, these sets may be equipped with a polarity guard. Polarity guards should be installed only when specified by local instructions for end-to-end signaling purposes when battery and ground reversals are encountered. ♦The D-181006 Kit of Parts polarity guard is a direct replacement for 819041971 (P-90D197) (MD) guard assembly. Refer to Section 502-600-100 for installation information and Table D for connection information.♦

## **3. MAINTENANCE**

**3.01** For maintenance information, refer to Division 502, section entitled 630, 1630, and 2630 Series Telephone Sets—Common Installation and Maintenance Information. Individual components such as dials, keys, ringer, etc., are covered in sections located in Division 501.

**3.02** *Do not use solvents to clean plastic parts of these sets.* Use a damp cloth only. If discolored, replace part.

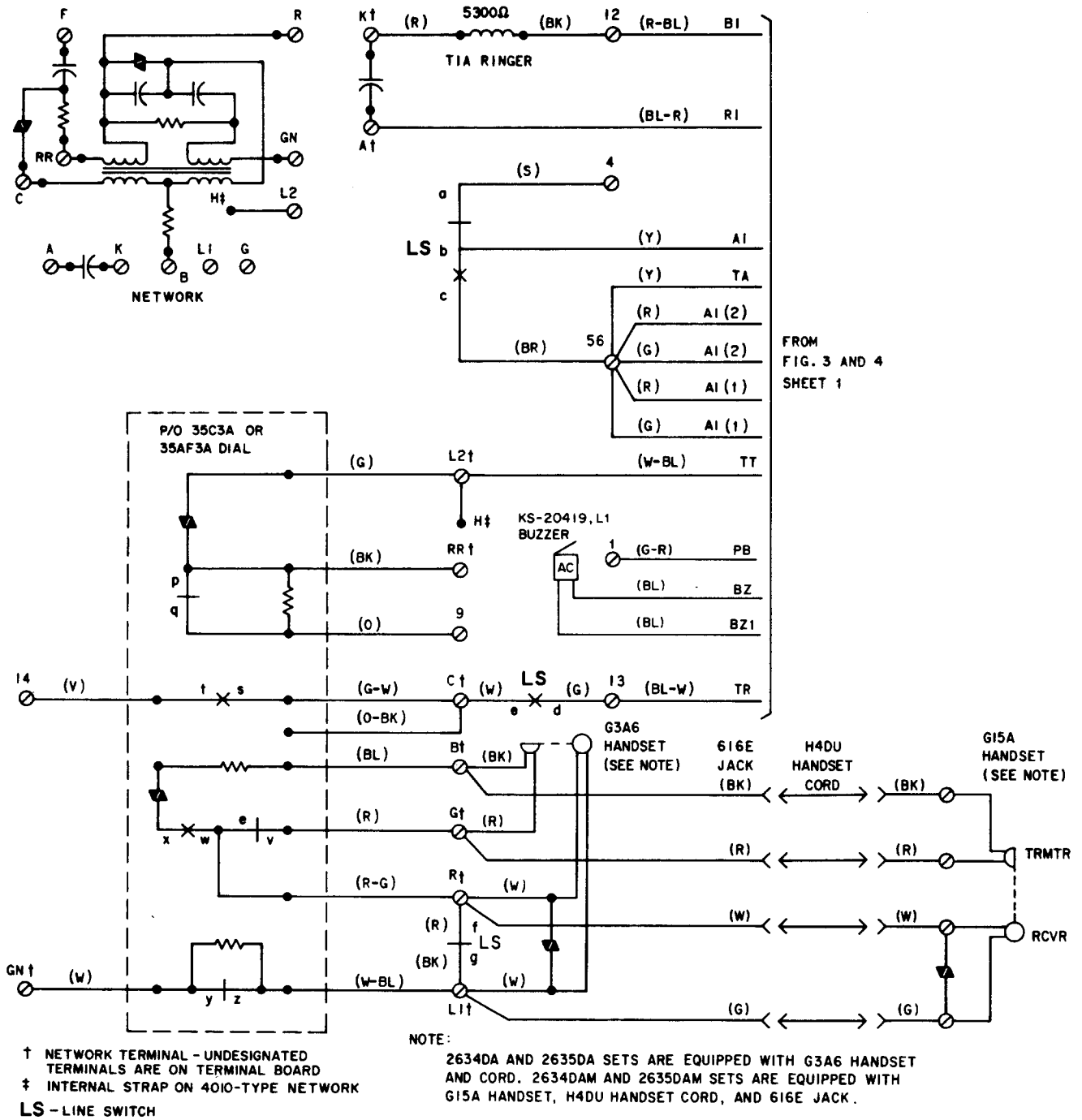


Fig. 1—2634DA (MD), DAM (MD), and 2635DA (MD), DAM (MD) Telephone Set Connections†

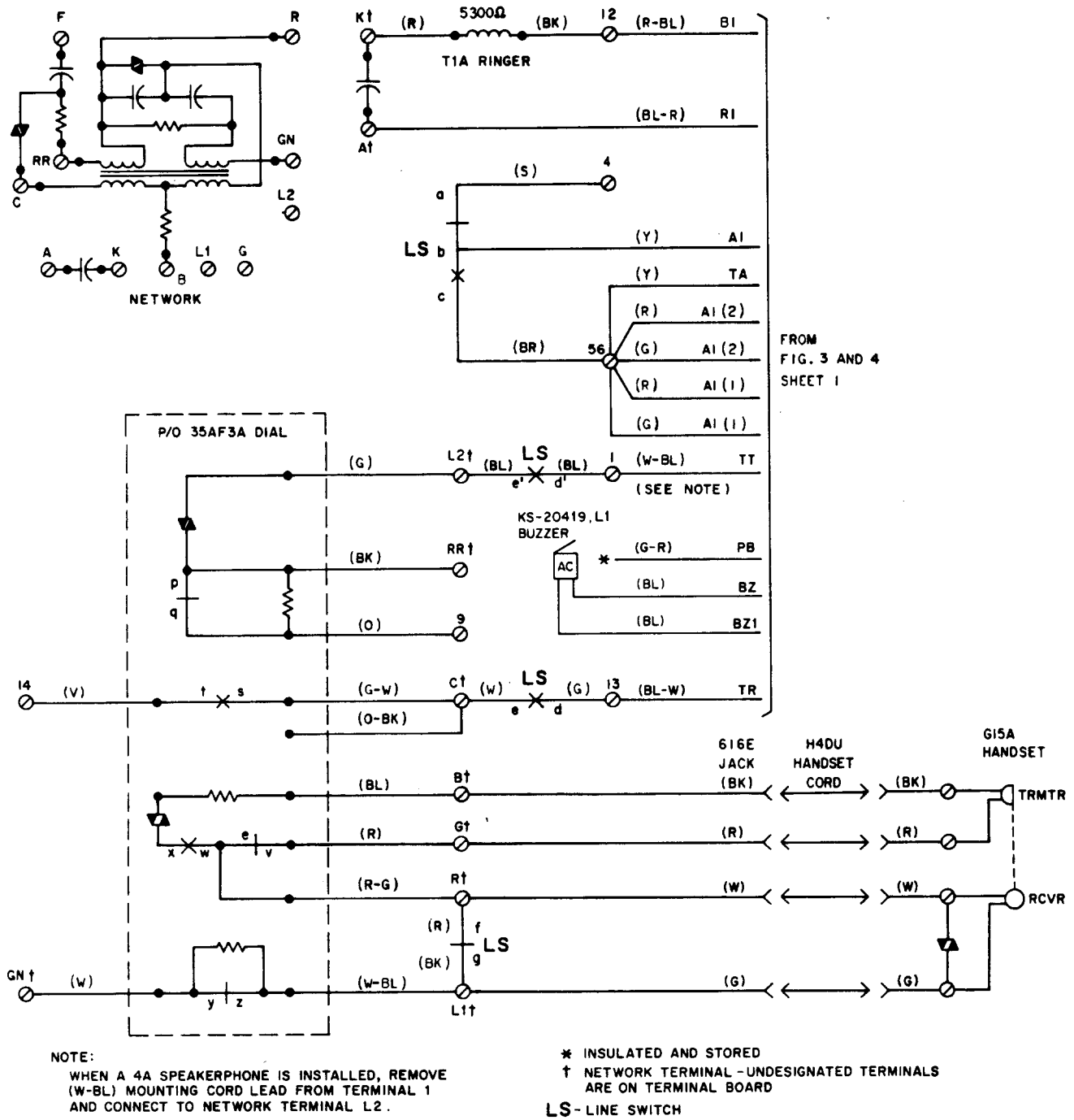
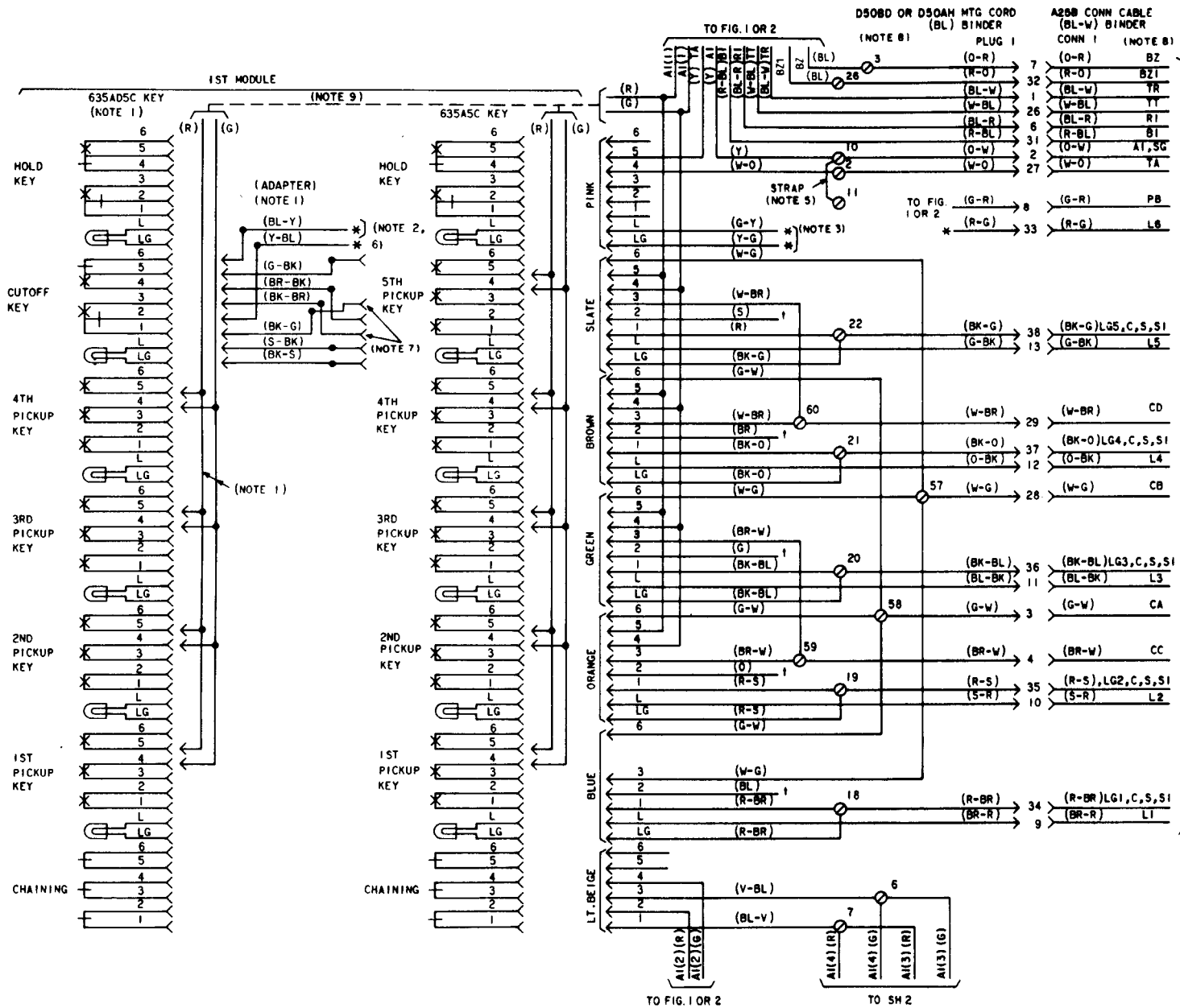


Fig. 2—2634DAMS1 and 2635DAMS1 Telephone Set Connections



TO 1A1,  
1A2, 6A,  
OR 6B  
LINE  
CKTS

Fig. 3— $\Phi$ 2634DA (MD), DAM (MD), or DAMS1 Telephone Set Module and Connector Cable Arrangements  
(Sheet 1 of 3) $\Phi$

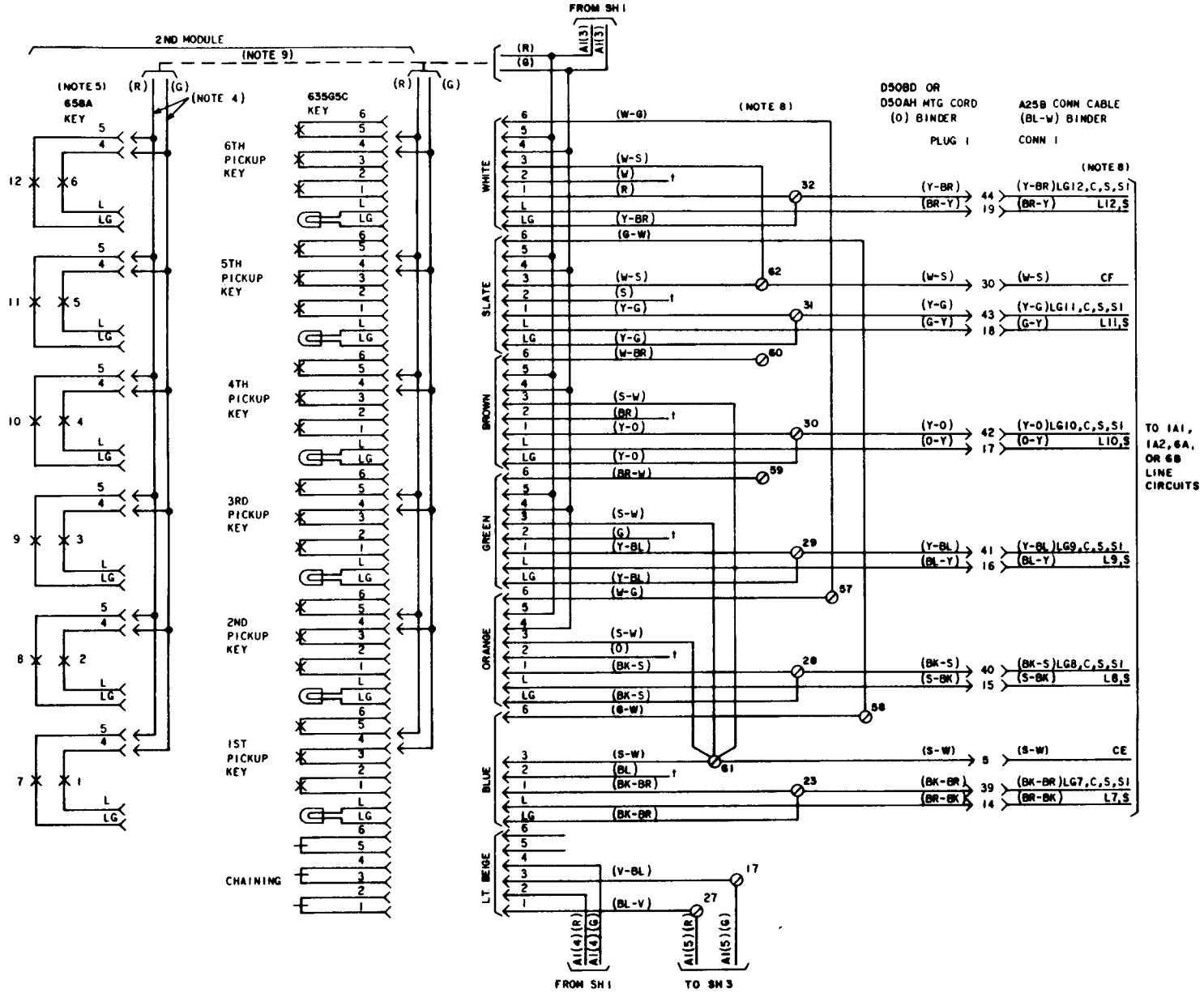


Fig. 3—2634DA (MD), DAM (MD), or DAMS1 Telephone Set Module and Connector Cable Arrangements (Sheet 2 of 3)

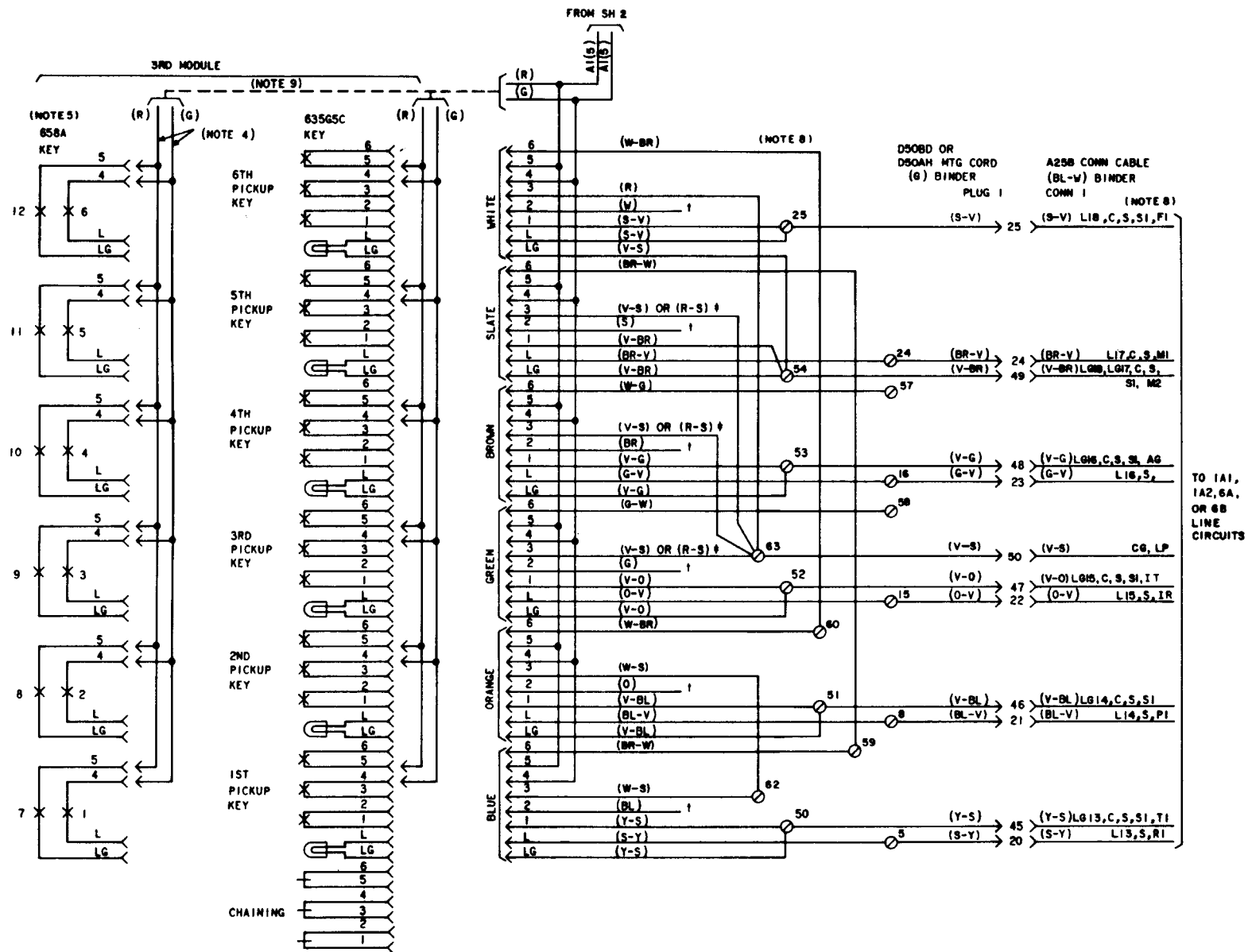


Fig. 3—2634DA (MD), DAM (MD), or DAMS1 Telephone Set Module and Connector Cable Arrangement (Sheet 3 of 3)

**SECTION 502-612-409**

NOTES FOR FIGURES 3 AND 4:

1. THE 635AD5C KEY IS SUPPLIED WITH AN ADAPTER IN THE CUTOFF KEY POSITION. IN SETS EQUIPPED WITH D50AH OR D80D (MD) MOUNTING CORD, CONTACT STRIP ASSEMBLIES 840151039 AND 840151047 FURNISHED WITH THE 635AD5C KEY REPLACE THE 840151120 AND 840151138 ASSEMBLIES USED WITH THE 635A5C KEY. THE SLATE MOUNTING CORD PLUG CONNECTS TO THE ADAPTER. BALANCE OF PLUGS CONNECT DIRECTLY TO KEY.
2. IF A 635AD5C KEY IS ADDED IN THE FIELD FOR RINGER CUTOFF, TERMINATE THE (BL-Y) ADAPTER LEAD AS INDICATED IN NOTE 6 AND REMOVE (R) SLATE PLUG LEAD FROM TERMINAL 22, INSULATE AND STORE.
3. IF THE HOLD POSITION LAMP (6TH) 635A5C OR 635AD5C KEY IN THE FIRST MODULE IS USED FOR A VISUAL SIGNAL, REMOVE (Y-G) LAMP GROUND LEAD FROM STORED LOCATION IN FIRST MODULE AND CONNECT TO TERMINAL 22. CONNECT INSULATED AND STORED (G-Y) LAMP LEAD AND (R-G) MTG CORD LEAD USING SPARE TERMINAL OR D-161488 CONNECTOR.
4. IN SETS EQUIPPED WITH A 658A KEY, THE (G) CONTACT STRIP OR PLUG STRAP LEAD IS TERMINATED ON TERMINAL 10 AND (R) ON 11. IF A 658A KEY IS ADDED IN THE FIELD, LEADS MUST BE MOVED FROM PRECEDING MODULE CHAINING CIRCUIT TO TERMINALS 10 AND 11. PROVISIONS ARE MADE FOR MECHANICALLY STORING THE LIGHT BEIGE PLUG ON THE 658A KEY. NO ELECTRICAL CONNECTION IS MADE.
5. WHEN THE 658A KEY IS REQUIRED AS A DUAL PURPOSE KEY, REMOVE STRAP BETWEEN TERMINALS 10 AND 11. USE M1W CORD OR EQUIVALENT TO CONNECT TERMINAL 11 TO A GROUND OTHER THAN THE SIGNAL GROUND.
6. CUTOFF OF THE INTERNAL RINGER CAN BE PROVIDED USING THE 635AD5C KEY IN FIRST MODULE. TRANSFER B1 (R-BL) LEAD FROM TERMINAL 12 AND (BL-Y) ADAPTER LEAD TO SAME SPARE TERMINAL OR D-161488 CONNECTOR. REMOVE (W-G) LEAD (SLATE PLUG) FROM TERMINAL 57 AND CONNECT TO 12.
7. WHEN 635AD5C KEY IS USED IN FIRST MODULE TO PROVIDE CUTOFF, SWITCHING, OR TRANSFER FEATURES, MOVE (W-BR) SLATE PLUG LEAD FROM TERM. 60 TO TERMINAL 11. THESE SERVICE FEATURES ARE PROVIDED BY AN AUXILIARY RELAY (229B KTU OR EQUIVALENT) SEPARATELY MOUNTED AND CONTROLLED BY THE CUTOFF KEY CONTACTS THROUGH LG5, C, S, S1 LEAD.
8. CONTROL LEADS CA, CB, CC, CD, CE, CF, CG, CH, AND CJ ARE CONNECTED TO TERMINAL 57 THRU 65. THESE TERMINALS APPEAR ON MORE THAN ONE OF THE MODULE SHEETS OF FIG. 3 AND 4 BUT ARE THE SAME TERMINAL.
9. THESE CONTACT STRIPS ARE REQUIRED WHEN TELEPHONE SET IS EQUIPPED WITH THE D50AH (MD) OR D80D (MD) MOUNTING CORD. THESE CONTACT STRIPS SHOULD NOT BE USED WHEN TELEPHONE SET IS EQUIPPED WITH THE D50BD OR D80E MOUNTING CORD.

\* INSULATED AND STORED

† DEAD DRESSED

‡ LEAD COLOR IN D50BD MTG CORD

§ LEAD COLOR IN D80E MTG CORD



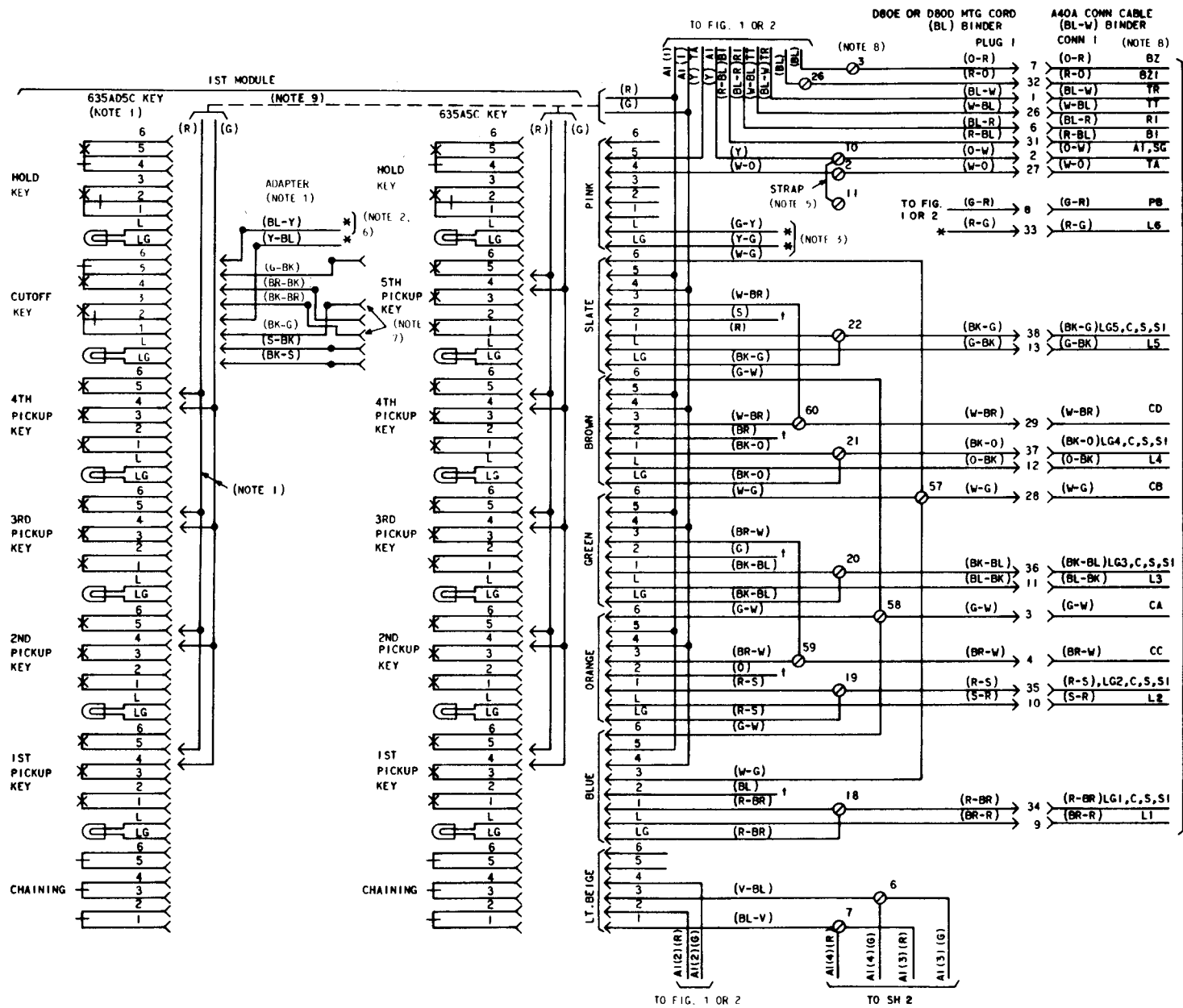


Fig. 4—2635DA (MD), DAM (MD), or DAMS1 Telephone Set Module and Connector Cable Arrangements (Sheet 1 of 5)

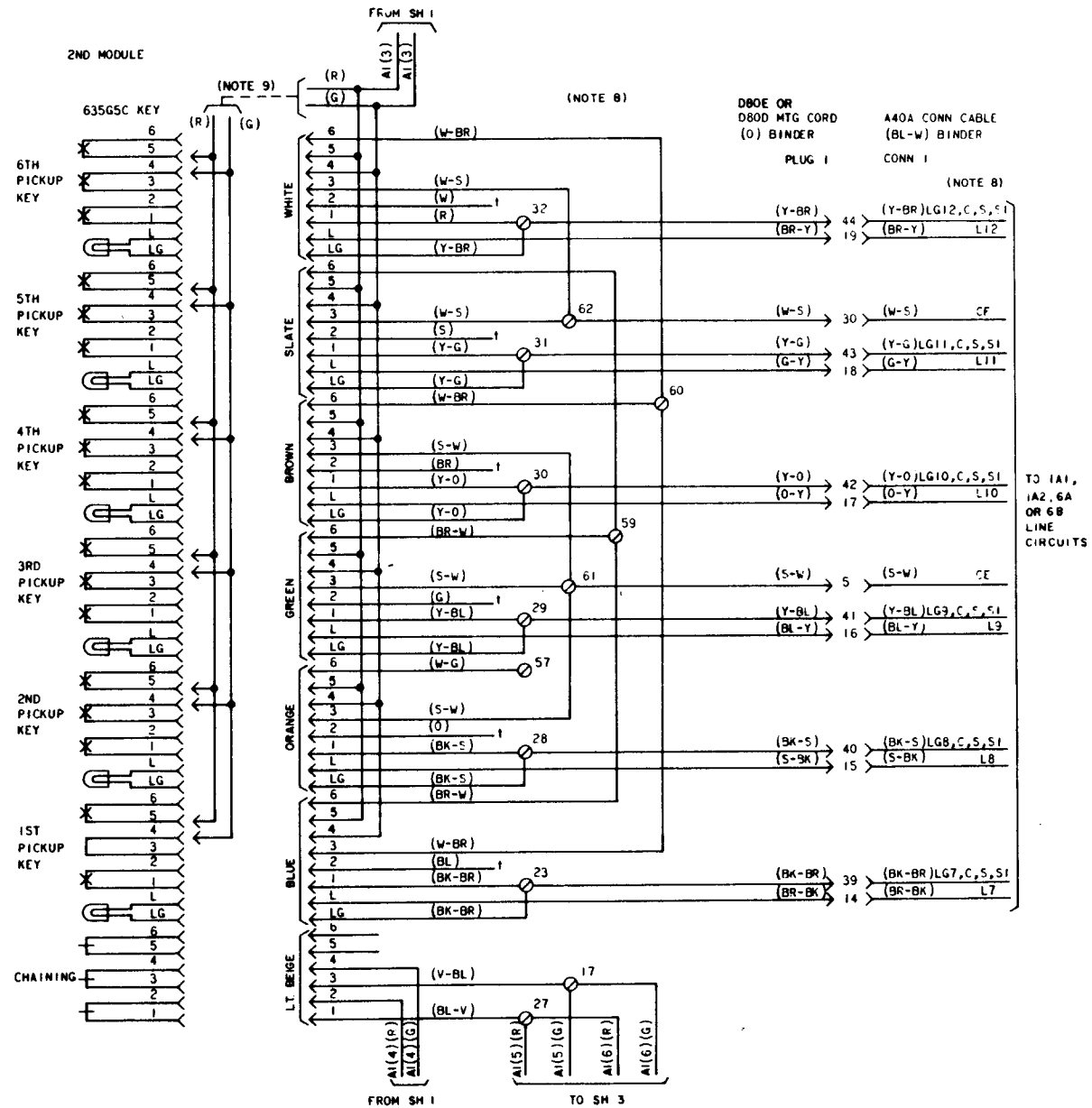


Fig. 4—2635DA (MD), DAM (MD), or DAMS1 Telephone Set Module and Connector Cable Arrangements (Sheet 2 of 5)



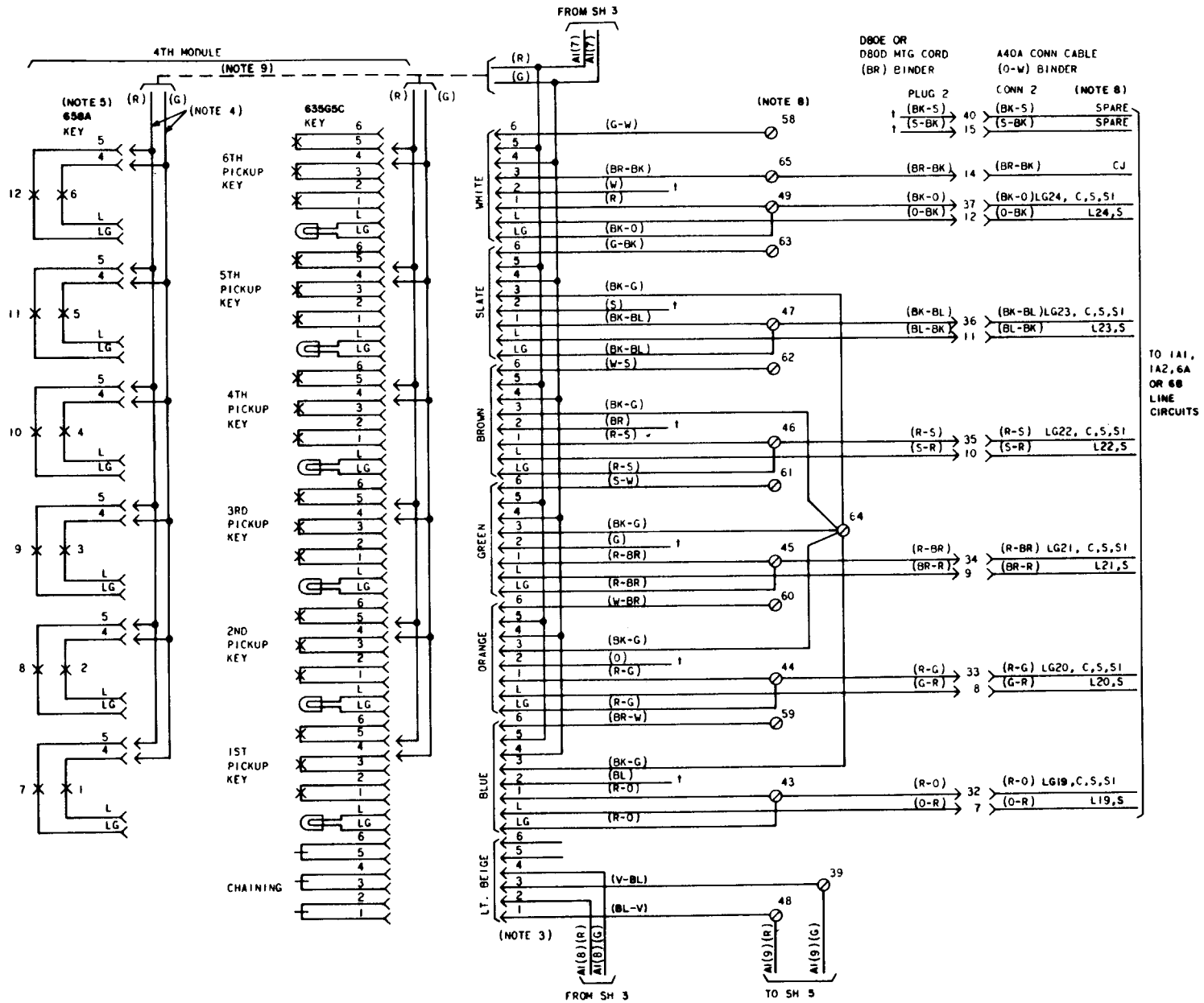


Fig. 4—2635DA (MD), DAM (MD), or DAMS1 Telephone Set Module and Connector Cable Arrangements (Sheet 4 of 5)

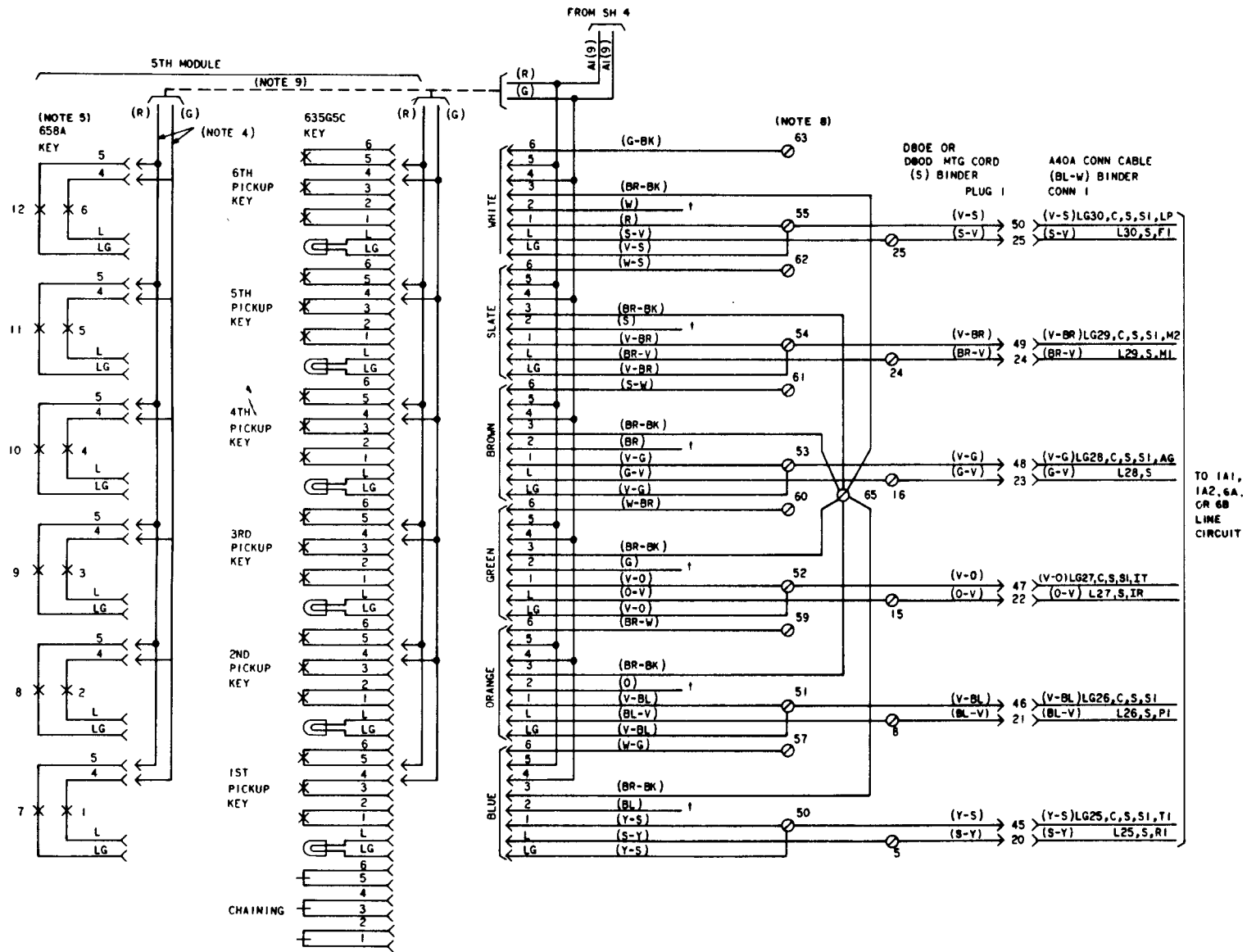


Fig. 4—2635DA (MD), DAM (MD), or DAMS1 Telephone Set Module and Connector Cable Arrangements (Sheet 5 of 5)

MTG CORD  
 D50BD, D50AH (2634 TYPE) (G) BINDER  
 D80E, D80D (2635 TYPE) (S) BINDER

CONN CABLE  
 A25B (2634 TYPE)  
 A40A (2635 TYPE)

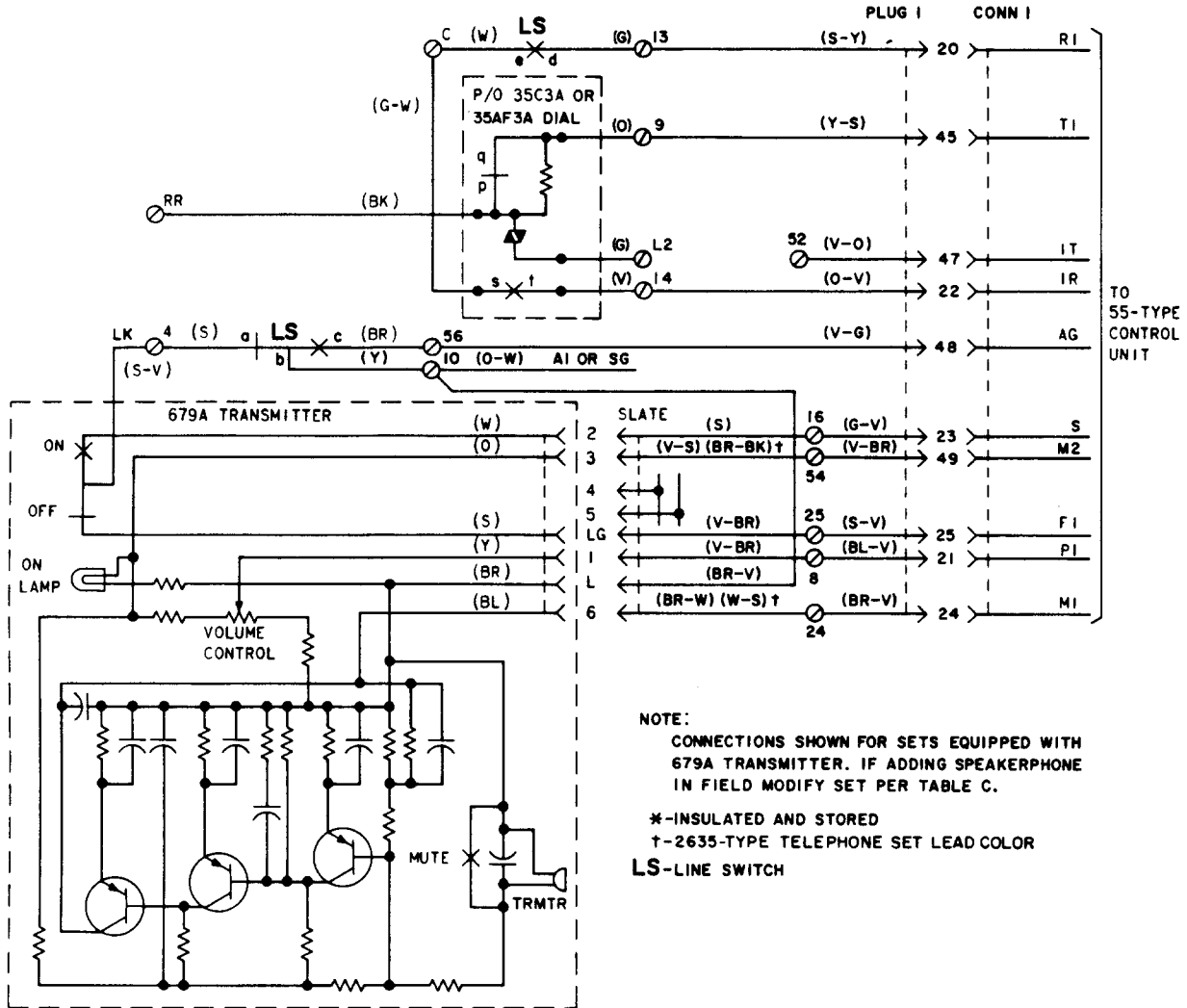


Fig. 5 — 3-Type (MD) Speakerphone Connections

◆ TABLE A ◆

PICKUP-SIGNAL KEY CONVERSION—2634DA (MD), 2634DAM (MD), OR 2634DAMS1 TELEPHONE SET (THIRD MODULE ONLY)

NO. OF SIGNAL KEYS	KEY PLUG LEADS																							
	1ST PICKUP				2ND PICKUP				3RD PICKUP				4TH PICKUP				5TH PICKUP				6TH PICKUP			
	BL	Y-S	BR-W	W-S	O	V-BL	W-BR	W-S	G	V-O	G-W	V-S R-S‡	BR	V-G	W-G	V-S R-S‡	S	V-BR	BR-W	V-S R-S‡	W	V-S	W-BR	V-S
1	*	50	59	62	*	51	60	62	*	52	58	63	*	53	57	63	*	54	59	63	10	†	*	*
2	*	50	59	62	*	51	60	62	*	52	58	63	*	53	57	63	10	†	*	*	10	†	*	*
3	*	50	59	62	*	51	60	62	*	52	58	63	10	†	*	*	10	†	*	*	10	†	*	*
4	*	50	59	62	*	51	60	62	10	†	*	*	10	†	*	*	10	†	*	*	10	†	*	*
5	*	50	59	62	10	†	*	*	10	†	*	*	10	†	*	*	10	†	*	*	10	†	*	*
6	10	†	*	*	10	†	*	*	10	†	*	*	10	†	*	*	10	†	*	*	10	†	*	*

\* Insulated and stored.

† From LG terminal of plugs — insulate and store.

‡ Lead color in D50BD mounting cord.

◆ TABLE B ◆

PICKUP-SIGNAL KEY CONVERSION—2635DA (MD), 2635DAM (MD), OR 2635DAMS1 TELEPHONE SET (FIFTH MODULE ONLY)

NO. OF SIGNAL KEYS	KEY PLUG LEADS																							
	1ST PICKUP				2ND PICKUP				3RD PICKUP				4TH PICKUP				5TH PICKUP				6TH PICKUP			
	BL	Y-S	W-G	BR-BK	O	V-BL	BR-W	BR-BK	G	V-O	W-BR	BR-BK	BR	V-G	S-W	BR-BK	S	V-BR	W-S	BR-BK	W	V-S	G-BK	BR-BK
1	*	50	57	65	*	51	59	65	*	52	60	65	*	53	61	65	*	54	62	65	10	†	*	*
2	*	50	57	65	*	51	59	65	*	52	60	65	*	53	61	65	10	†	*	*	10	†	*	*
3	*	50	57	65	*	51	59	65	*	52	60	65	10	†	*	*	10	†	*	*	10	†	*	*
4	*	50	57	65	*	51	59	65	10	†	*	*	10	†	*	*	10	†	*	*	10	†	*	*
5	*	50	57	65	10	†	*	*	10	†	*	*	10	†	*	*	10	†	*	*	10	†	*	*
6	10	†	*	*	10	†	*	*	10	†	*	*	10	†	*	*	10	†	*	*	10	†	*	*

\* Insulated and stored.

† From LG terminal of plugs — insulate and store.

**TABLE C**  
**MODIFICATION FOR 3-TYPE (MD) SPEAKERPHONE**

WIRE OR LEAD	COLOR	REMOVE FROM	CONNECT TO
Mounting Cord (Note 1)	S-Y	5	13
	Y-S	50	9
	O-V	15	14
	V-G	53	56
Slate Plug Straps III Module (2634-Type) or V Module (2635-Type)	BR-W	59	24
	W-S*	62*	
	V-S¶	63	54
	BR-BK*	65*	
	S	†	16
	V-BR‡	54	8
BR-V	24	10	
V-BR§	54	25	
679A Trmtr	S-V		4

\*2635-type telephone set lead color or terminal.

† Stored location.

‡ Lead from terminal 1 of slate plug.

§ Lead from terminal LG of slate plug.

¶(R-S) in D50BD mounting cord.

Note 1: Mounting cord conductors from (G) 2634-type or (S) 2635-type binder.

Note 2: Connect the slate plug from the 3rd or 5th module to the 679A transmitter (Fig. 5). All other plugs in the module are insulated and stored.

**TABLE D**  
**POLARITY GUARD CONNECTIONS D-181006 KIT OF PARTS OR [819041971 (P-90D197) (MD) GUARD ASSEMBLY]**

LEAD	COLOR	REMOVE FROM	CONNECT TO
Line Switch	W	C*	S†
Dial	G-W		RR*
	BK		
Polarity Guard	W		C*
	G		RR*

\* Network terminal.

† Polarity guard terminal.

Note: For use when specified by local instructions for end-to-end signaling installations.