

SERVICE

662-TYPE TELEPHONE SETS

1. GENERAL

1.01 This section is reissued to include the KS-20419L1 buzzer.

1.02 These sets are supplied factory-wired as 662A1 only. For conversion to 662A2 or 662A3 the appropriate key must be ordered and installed separately. Modification kits are available for field conversion to provide exclusion (662A4, 662A5, or 662A6 codes). For ordering and installation information, refer to Section 502-601-130. For power supply connections to the 41-type dial, refer to Section 501-163-101. Speakerphone connections are shown in Division 512.

1.03 When a 662-type telephone set is not used as a speakerphone set and is multiplied with any other set capable of furnishing speakerphone feature, speakerphone leads must be disconnected, insulated, and stored either at the telephone set or at the multiplying point. If not disconnected, the speakerphone leads will provide a common connection between the circuits of the multiplied telephone sets.

1.04 ♦Current sets are factory-equipped with a KS-20419L1 (10 volt AC only) buzzer wired to the (BL-V) (V-BL) cord conductors. These conductors should be used when adding buzzer in the field.♦

TABLE A
PICKUP-SIGNAL KEY CONVERSION — 662A1 OR 662A4 TELEPHONE SET

CONVERSION OPTIONS	657A OR 599A KEY LEADS					
	(O-W)	(S-W)	(G-R)	(BL-BK)	(BR-BK)	(BR-W)
HPPPPP (Note)	A2	A2	A2	A2	A2	5
HPPPPS	A2	A2	A2	A2	SG	5
HPPSSS	A2	A2	A2	SG	SG	5
HPPSSS	A2	A2	SG	SG	SG	5
HPPPP*S*	A2	A2	A2	S1	A2†	S1
HPPPP*P*S*	A2	A2	S1	S1	A2†	S1
HPP*P*P*S*	A2	S1	S1	S1	A2†	S1

* These arrangements use line switch controlled ground for common signal key used with private or intercommunicating lines. Common signal should be used to operate a common signal relay. Do not wire directly to a buzzer. Fig. 2 or 3 shows line switch lead terminations.

† For 1A KTS connect (BR-BK) key lead to BL terminal.

Note: 657A or 599A key as furnished in 662A1 telephone set. To convert from pickup (locking) to signal (nonlocking) remove the P-10E837 screw from the plunger at the key position being converted.

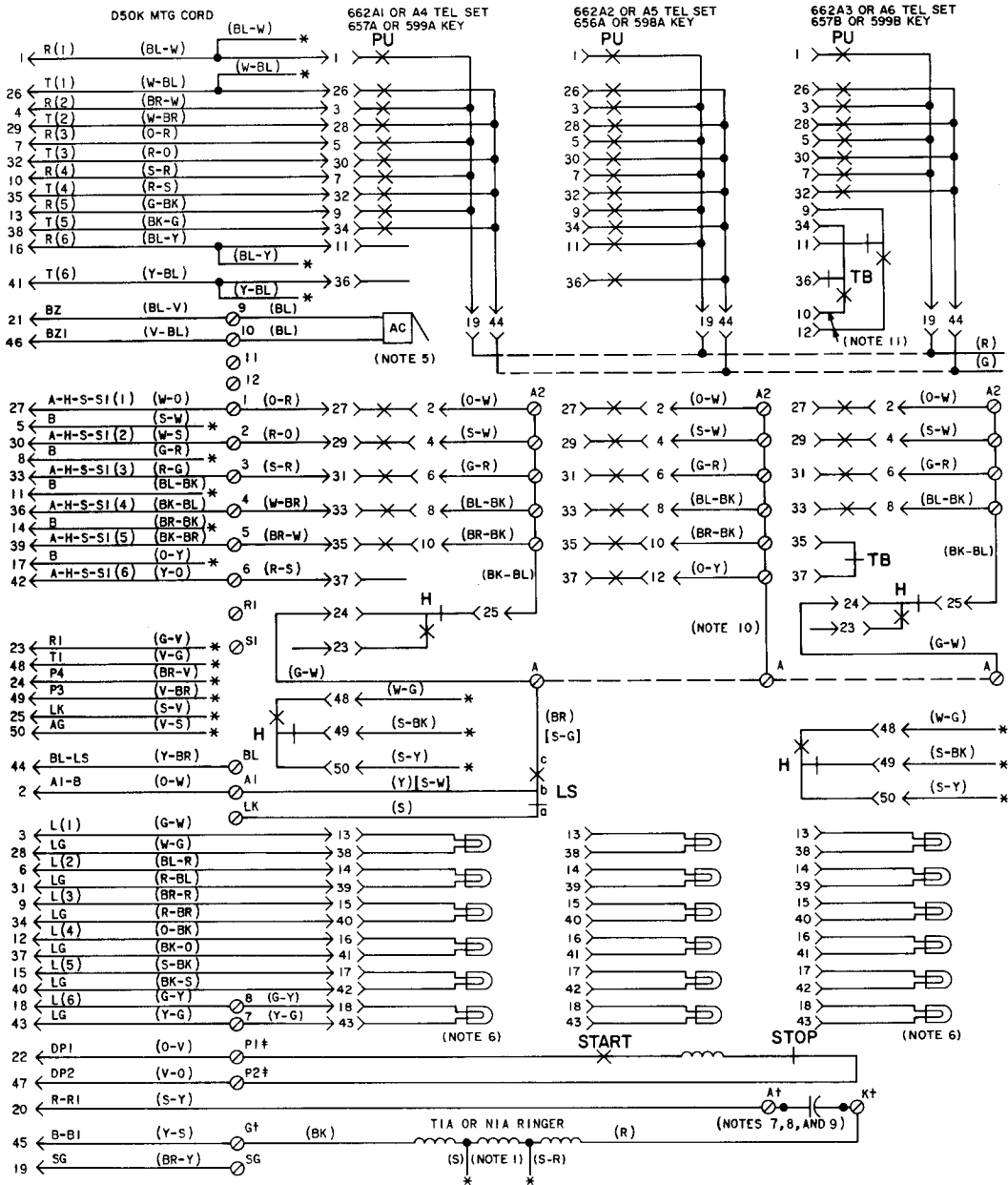


Fig. 1—662-Type Telephone Set, Connections (Sheet 1 of 2)†

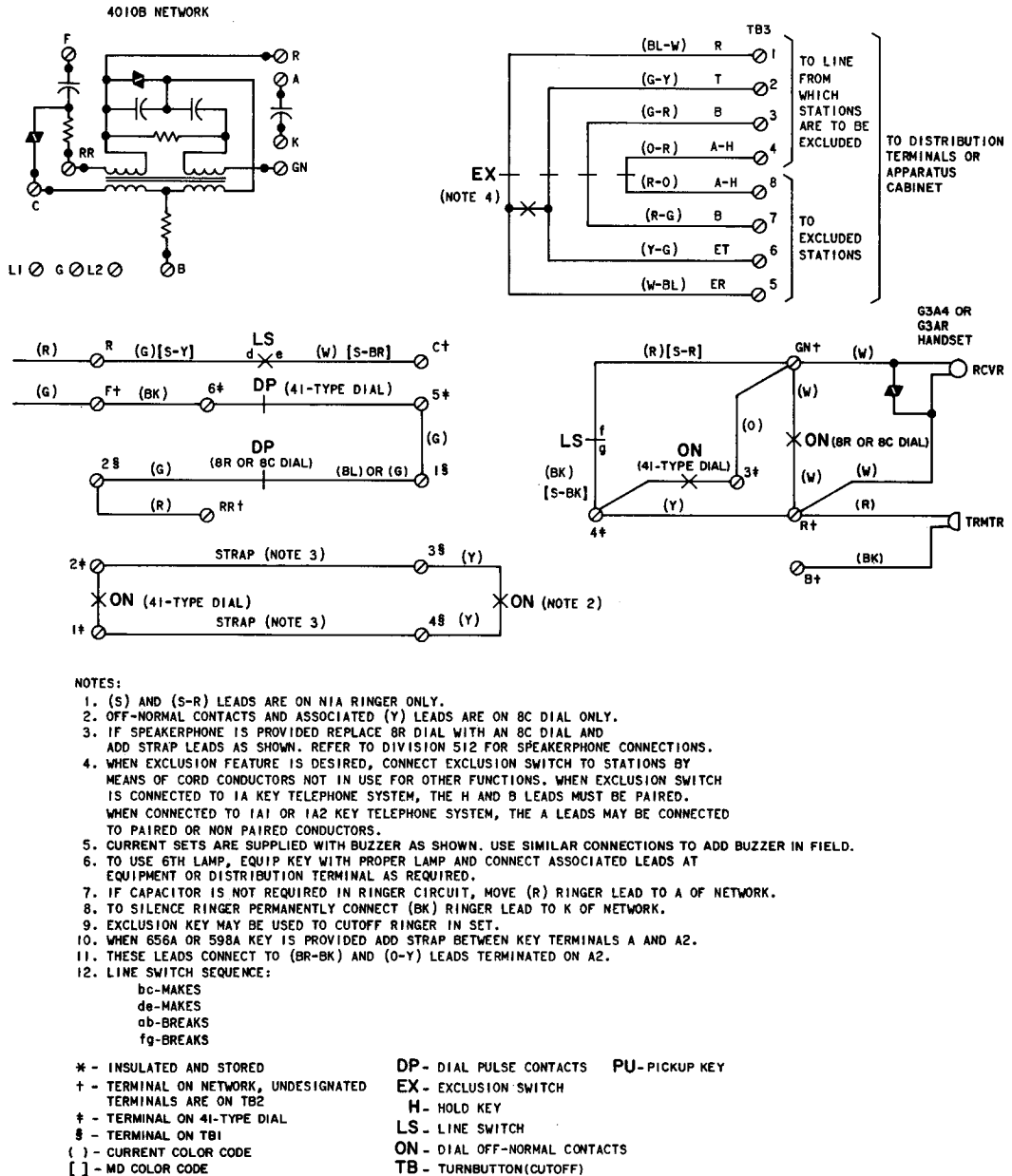
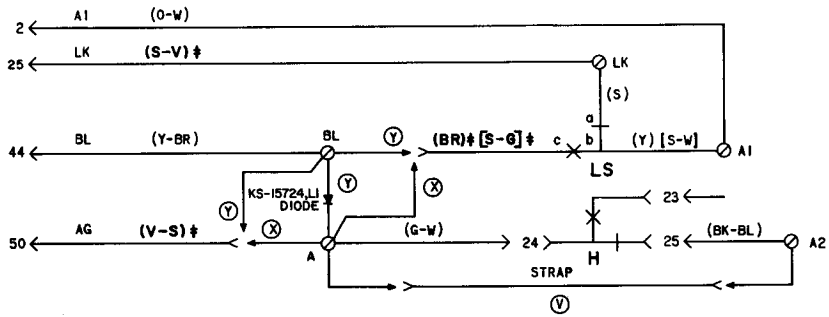
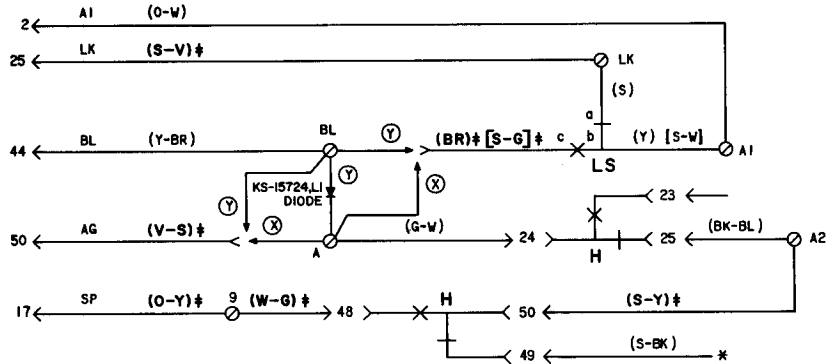


Fig. 1—662-Type Telephone Set, Connections (Sheet 2 of 2)†



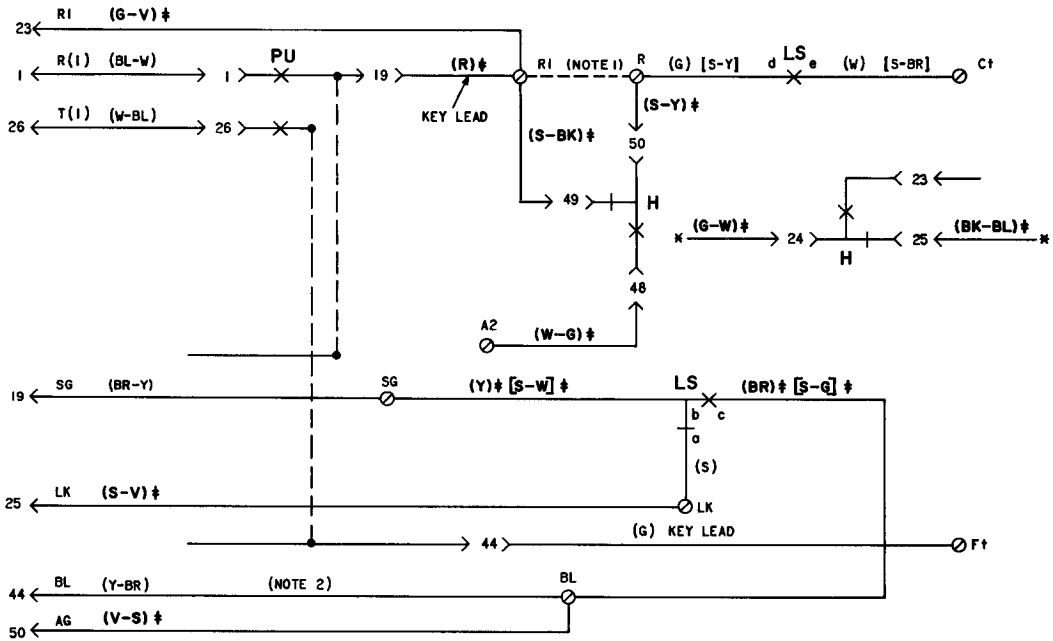
(A) WITHOUT I HOLD



(B) WITH I HOLD

- LS - LINESWITCH
- H - HOLD KEY
- (X) - WITHOUT BUSY LAMP
- (Y) - WITH BUSY LAMP
- (V) - ADD STRAP WHEN 656A OR 598A KEY IS FURNISHED
- () - CURRENT COLOR CODE
- [] - MD COLOR CODE
- x - INSULATED AND STORED
- ‡ - LEADS INVOLVED IN MODIFICATION

Fig. 2—1A1 or 1A2 KTS—I Hold and/or Station Busy Lamp Modification



NOTES:

1. WHEN 656A OR 598A KEY IS USED PLACE STRAP BETWEEN R AND R1.
2. IF STATION BUSY LAMP IS NOT PROVIDED, REMOVE (Y-BR) MOUNTING CORD LEAD FROM BL TERMINAL, INSULATE AND STORE.

- () - CURRENT COLOR CODE
- [] - MD COLOR CODE
- H - HOLD KEY
- LS - LINE SWITCH
- PU - PICKUP KEY
- * - INSULATE AND STORE
- † - TERMINAL ON NETWORK, UNDESIGNATED TERMINALS ARE ON TB2.
- ‡ - LEADS INVOLVED IN MODIFICATION

Fig. 3—662-Type Telephone Set Converted For 1A KTS—With or Without Busy Lamp or Speakerphone

TABLE B

PICKUP-SIGNAL KEY CONVERSION — 662A2 OR 662A5 TELEPHONE SET

CONVERSION OPTIONS	656A OR 598A KEY LEADS						
	(O-W)	(S-W)	(G-R)	(BL-BK)	(BR-BK)	(O-Y)	(R-S)
PPPPPP (Note)	A2	A2	A2	A2	A2	A2	6
PPPPPS	A2	A2	A2	A2	A2	SG	6
PPPPSS	A2	A2	A2	A2	SG	SG	6
PPSSSS	A2	A2	A2	SG	SG	SG	6
PPSSSS	A2	A2	SG	SG	SG	SG	6
PPPPP*S*	A2	A2	A2	A2	S1	A2†	S1
PPPP*P*S*	A2	A2	A2	S1	S1	A2†	S1
PPP*P*P*S*	A2	A2	S1	S1	S1	A2†	S1
PP*P*P*P*S*	A2	S1	S1	S1	S1	A2†	S1

* These arrangements use line switch controlled ground for common signal key used with private or intercommunicating lines. Common signal should be used to operate a common signal relay. Do not wire directly to a buzzer. Fig. 2 or 3 shows line switch lead terminations.

† For 1A KTS connect (O-Y) key lead to BL terminal.

Note: When field installed, connect 656A or 598A key as shown unless converted. To convert from pickup (locking) to signal (nonlocking) remove the P-10E837 screw from the plunger at the key position being converted.

◆ TABLE C ◆

PICKUP-SIGNAL KEY CONVERSION — 662A3 OR 662A6 TELEPHONE SET

CONVERSION OPTIONS	657B OR 599B KEY LEADS								
	(O-W)	(S-W)	(G-R)	(BL-BK)	(W-BR)	(Y-BL)	(BL-Y)	(BR-BK)	(O-Y)
HPPPPC (Note)	A2	A2	A2	A2	4	†	†	A2	A2
HPPPPSC	A2	A2	A2	SG	4	†	†	A2	A2
HPPSSC	A2	A2	SG	SG	4	†	†	A2	A2
HPPP*S*C	A2	A2	S1	A2§	S1	†	†	A2	A2
HPP*P*S*C	A2	S1	S1	A2§	S1	†	†	A2	A2
HPPPPC(1)	A2	A2	A2	A2	4	†	†	A2	A2
HPPPPC(2)	A2	A2	A2	A2	4	TB1-7†	A of Net†	†	†
HPPPPC(3)	A2	A2	A2	A2	4	TB2-9	TB2-10	†	†
HPPPPC(4)	A2	A2	A2	A2	4	†	†	†	†

* These arrangements use line switch controlled ground for common signal key with private or intercommunicating lines. Common signal should be used to operate a common signal relay. Do not wire directly to a buzzer. Fig. 2 or 3 shows line switch lead terminations.

† Insulated and stored.

‡ Remove mounting cord (S-Y) (Y-S) leads, insulate and store.

§ For 1A KTS connect (BL-BK) key lead to BL terminal.

Turnbutton may be used to

- (1) Operate auxiliary relay [through 5th R and T (G-BK) (BK-G) pair].
- (2) Cutoff ringer in set
- (3) Cutoff buzzer in set
- (4) Cutoff external audible signal [connect 5th R and T (G-BK) (BK-G) pair to ringer or signal circuit; connect 6th R and T (BL-Y) (Y-BL) pair to external signal].

Note: When field installed, connect 657B or 599B key as shown unless converted. To convert from pickup (locking) to signal (nonlocking) remove the P-10E837 screw from the plunger at key position being converted.

♦ TABLE D ♦

CONDUCTOR ASSIGNMENTS USING 66E-TYPE CONNECTOR BLOCK OR A25B CONNECTOR CABLE

LEAD DESIG	TEL SET TERM.*	MTG CORD OR A25B CONN CABLE		PLUG OR CONN	66E-TYPE CONN BLOCK
		PAIR NO.	CONDUCTOR COLOR	PIN NO.	CLIP TERM. NO.
T	26	1	W-BL	26	1
R	1		BL-W	1	2
A, H, S, or S1	TB2-1	2	W-O	27	3
A1 or B†	TB2-A1		O-W	2	4
LG	38	3	W-G	28	5
L1	13		G-W	3	6
T	28	4	W-BR	29	7
R	3		BR-W	4	8
A, H, S, or S1	TB2-2	5	W-S	30	9
Spare or B†	‡		S-W	5	10
LG	39	6	R-BL	31	11
L2	14		BL-R	6	12
T	30	7	R-O	32	13
R	5		O-R	7	14
A, H, S, or S1	TB2-3	8	R-G	33	15
Spare or B†	‡		G-R	8	16
LG	40	9	R-BR	34	17
L3	15		BR-R	9	18
T	32	10	R-S	35	19
R	7		S-R	10	20
A, H, S, or S1	TB2-4	11	BK-BL	36	21
Spare or B†	‡		BL-BK	11	22
LG	41	12	BK-O	37	23
L4	16		O-BK	12	24
T	34	13	BK-G	38	25
R	9		G-BK	13	26
A, H, S, or S1	TB2-5	14	BK-BR	39	27
Spare or B†	‡		BR-BK	14	28
LG	42	15	BK-S	40	29
L5	17		S-BK	15	30
T	36	16	Y-BL	41	31
R	11		BL-Y	16	32
A, H, S, or S1	TB2-6	17	Y-O	42	33
Spare or B†	‡		O-Y	17	34
LG	TB2-7	18	Y-G	43	35
L6	TB2-8		G-Y	18	36
BL or LS	TB2-BL	19	Y-BR	44	37
SG	TB2-SG		BR-Y	19	38
B or B1	G of net	20	Y-S	45	39
R or R1	A of net		S-Y	20	40
BZ1	TB2-10	21	V-BL	46	41
BZ	TB2-9		BL-V	21	42
Spare or DP2	P2 of 41 dial	22	V-O	47	43
Spare or DP1	P1 of 41 dial		O-V	22	44
Spare T1	‡	23	V-G	48	45
Spare R1	‡		G-V	23	46
Spare P3	‡	24	V-BR	49	47
Spare P4	‡		BR-V	24	48
Spare AG	‡	25	V-S	50	49
Spare LK	‡		S-V	25	50

* Contacts of key plug unless otherwise noted.

† When set is used in 1A key telephone system, these balance leads must not be used for other purposes.

‡ Insulate and store.