

SERVICE

663-TYPE TELEPHONE SETS

1. GENERAL

1.01 These sets are supplied factory wired with a 242-type amplifier to provide for headset operation. A head telephone set must be ordered separately. For ordering and installation information refer to the appropriate Reference section in Division 502.

1.02 Reissued to add C4B ringer furnished in current production 663-type telephone sets.

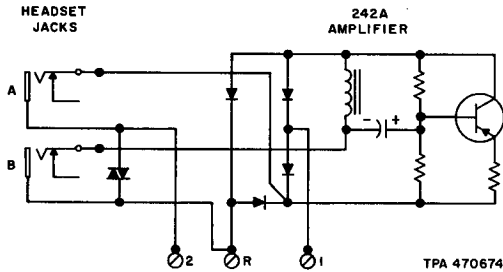


Fig. 1—242A Amplifier connections—663A1 Telephone Set

TABLE A

AMPLIFIER CONNECTIONS — 663A1 TELEPHONE SET

LEAD	242A AMPLIFIER	242B AMPLIFIER*
V-G	R	2
G-V	2	T
O-V	1	1
R	2	2
S	R	T
BK	2	2

* Place P-29E318 strap or equivalent between R and T terminals of amplifier.

TABLE B

LINE AND RINGER CONNECTIONS — 663A1 TELEPHONE SET

WIRE OR LEAD		INDIV OR BRIDGED	RING PARTY	TIP PARTY				
				NO IDENT GROUND	IDENT GROUND ¶			
					1000Ω	2650Ω		
Line Wire	Tip	Connecting Block	1	1	1	1	1	
	Ring		2	2	2	2	2	
	Grd A1		5*	5	5	5	5	
	A		4	4	4	4	4	
Mounting Cord	G		1	1	1	1	1	
	R		2	2	2	2	2	
	Y		4	4	4	4	4	
	BK		5	5	5	5	5	
Mounting Cord in Set	G		TB1	2	2	2	2	2
	R			C†	C†	C†	F†	F†
	Y	1		1	1	1	1	
	BK	3		3	3	3	3	
Ringer Leads	R	TB2	7 ¶ or 9	7 ¶ or 9	7 ¶ or 9	7	7	
	BK		8	8	8	8	8	
	S ¶		9	9	9	9	9	
	S-R ¶		10	10	10	9	9	
Ringer Straps	R	Net.	C	C	2‡	K	3‡	
	BK		2‡	3‡	3‡	3‡	K	
	S		K	K	K	B	B	
	S-R ¶		A	A	A	B§	B§	
Key Assembly Leads	S-V		F	F	F	C	C	

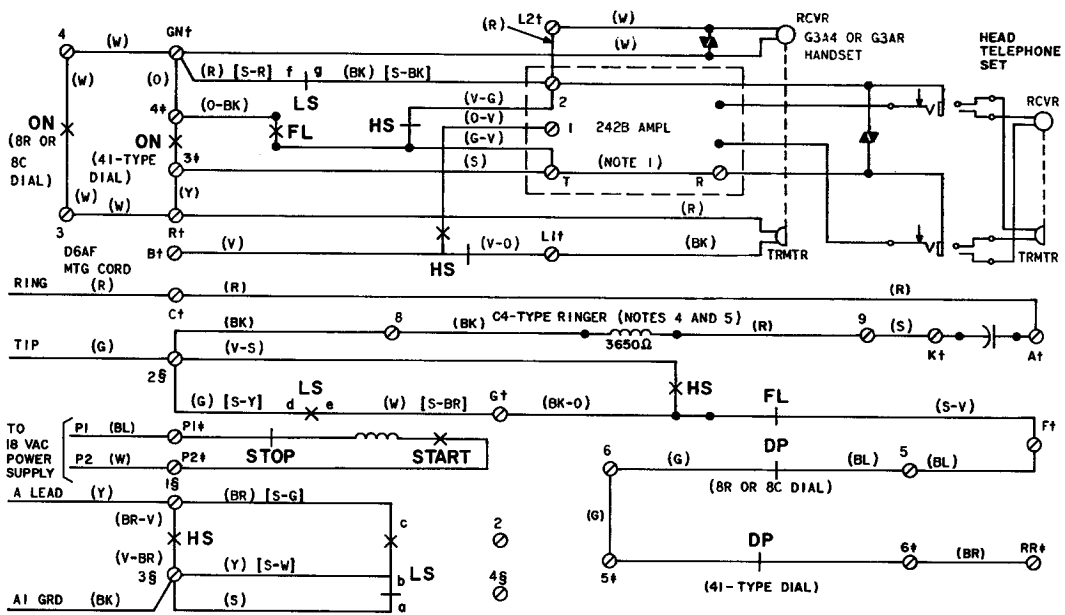
* Ground may be omitted if not required for service. Not required for protection of 41-type dial power supply.

† Network terminal.

‡ TB1.

§ Place M1W cord or equivalent from A of network to 2 of TB1.

¶ C4A ringer only



- NOTES:
1. P-29E318 STRAP.
 2. ON EARLIER MANUFACTURED SETS, AT TB2:
 (A) TERMINALS 2,5, AND 6 WERE DESIGNATED 6,2 AND 5 RESPECTIVELY
 (B) (S-V) FROM KEY ASSEMBLY WAS TERMINATED WITH (BL) DIAL LEAD AND (BL) STRAP AT TB2
 3. OFF-NORMAL CONTACTS AND ASSOCIATED (Y) LEADS ARE ON 8C DIAL ONLY.
 4. CONNECTIONS FOR C4B RINGER SHOWN. REFER TO TABLE B FOR LINE AND RINGER CONNECTIONS. IF C4A RINGER IS USED WIRE AS FOLLOWS:
 (BK) RINGER LEAD TO 8 OF TB2
 (R) RINGER LEAD TO 7 OF TB2
 (S) RINGER LEAD TO 9 OF TB2
 (S-R) RINGER LEAD TO 10 OF TB2
 (S) STRAP BETWEEN 9 OF TB2 AND K OF NETWORK
 (S-R) STRAP BETWEEN 10 OF TB2 AND A OF NETWORK
 C4A RINGER MUST BE USED FOR TIP PARTY IDENTIFICATION. REFER TO TABLE B.
 5. TO SILENCE RINGER PERMANENTLY MOVE (BK) RINGER LEAD TO TERMINAL 9 OF TB2.
 6. LINE SWITCH SEQUENCE:
 bc - MAKES ab - BREAKS
 de - MAKES fg - BREAKS

- † - NETWORK TERMINAL, UNDESIGNATED TERMINALS ARE ON TB2
- ‡ - TERMINAL ON 41-TYPE DIAL
- § - TERMINAL ON TB1
- () - CURRENT COLOR CODE
- [] - MD COLOR CODE
- DP - DIAL PULSE CONTACTS
- FL - FLASH KEY
- HS - HEADSET ON-OFF KEY
- LS - LINE SWITCH
- ON - DIAL OFF-NORMAL CONTACTS

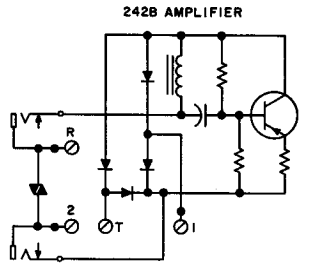
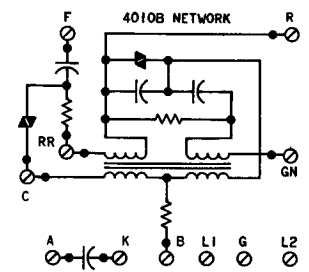
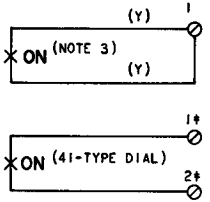


Fig. 2—663A1 Telephone Set, Connections