

SERVICE
2663A1 TELEPHONE SETS

1. GENERAL

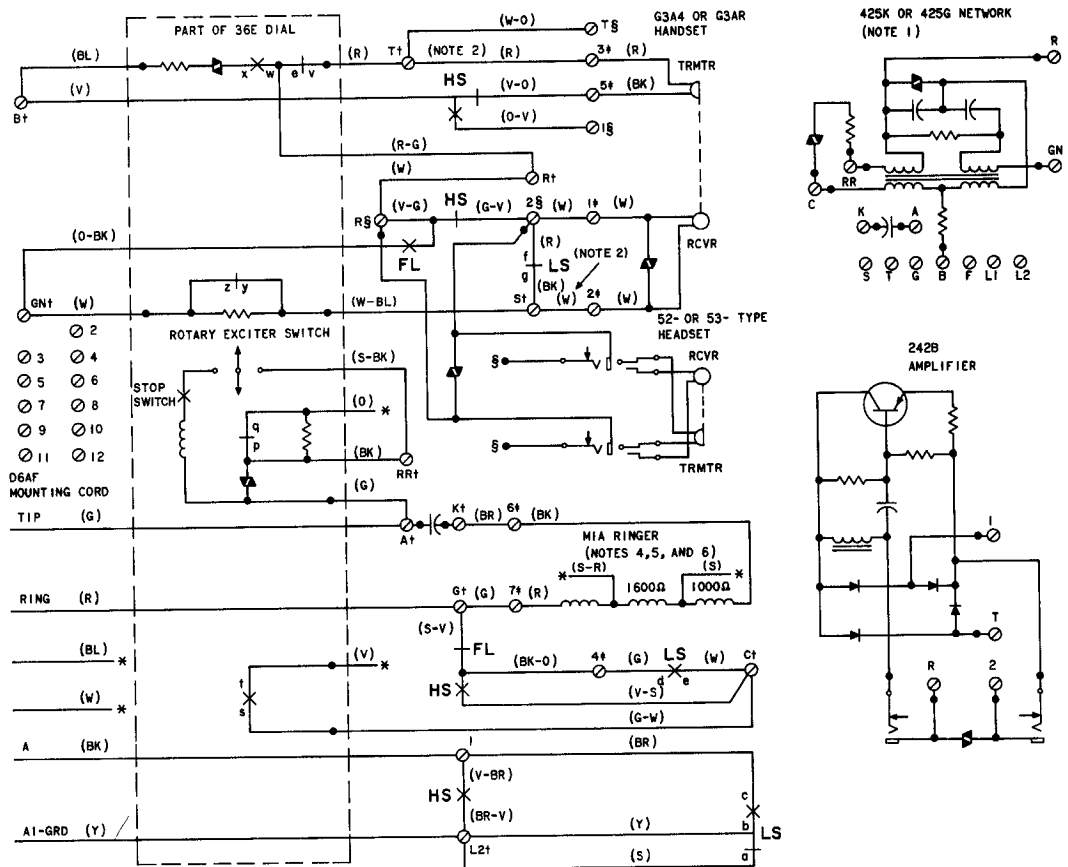
1.01 These sets are supplied factory wired with a 242B amplifier to provide for headset operation and are used with 1A1, 1A2, or 6A KTS. A 52- or 53-type headset must be ordered separately. For ordering and installation information refer to the appropriate Reference section in Division 502.

1.02 Connection information was formerly found in Section 502-660-423 which will be canceled.

TABLE A
P-90D012 POLARITY GUARD CONECTIONS

LEAD	COLOR	REMOVE FROM	CONNECT TO	
		NET.	NET.	POLARITY GUARD
Line Switch	W	C		S
Headset Key	V-S			
Dial	BK	RR		T
Polarity Guard	W		C	
	G		RR	

Note: For use when specified by local instructions for end-to-end signaling installations.



- NOTES:
1. 425G NETWORK ELECTRICALLY THE SAME AS 425K NETWORK. THE 425K NETWORK PROVIDES S AND T TIE POINT TERMINALS.
 2. STRAPS REQUIRED ON 425K NETWORK.
 3. A KS-8109L2 OR KS-20419L1 BUZZER CAN BE MOUNTED IN THESE SETS FOR USE AS AN AUXILIARY SIGNAL. USE SPARE CONDUCTORS TO CONNECT TO EQUIPMENT.
 4. IF CAPACITOR IS NOT REQUIRED IN RINGER CIRCUIT, MOVE (BR) LEAD FROM K TO A OF NETWORK.
 5. TO SILENCE RINGER PERMANENTLY MOVE (R) RINGER LEAD FROM TERMINAL 7 TO TERMINAL 6 OF TBI.
 6. FOR LINE AND RINGER CONNECTIONS REFER TO TABLE B.
 7. LINE SWITCH SEQUENCE:
bc - MAKES
de - MAKES
ab - BREAKS
fg - BREAKS

- LEGEND
- * - INSULATE AND STORE
 - † - NETWORK TERMINAL, UNDESIGNATED TERMINALS ARE ON TB2
 - ‡ - TERMINAL ON TBI
 - § - TERMINAL OR CONNECTION ON 242B AMPLIFIER
- FL - FLASH KEY
HS - HEADSET ON-OFF KEY
LS - LINE SWITCH

CONNECTIONS ON 425G OR CURRENT 425K NETWORKS

LEADS	COLOR	425G	425K
LINE SWITCH	BK	2 OF TBI	S OF NETWORK
DIAL	W-BL	3 OF TBI	T OF NETWORK
	R		
242B AMPLIFIER	W-0		

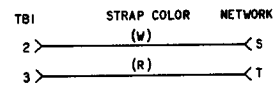


Fig. 1—2663A1 Telephone Set Connections

TABLE B

LINE AND RINGER CONNECTIONS – 2663A1 TELEPHONE SET

WIRE OR LEAD		COLOR	INDIV OR BRIDGED	RING PARTY	TIP PARTY			1A1 OR 1A2 KEY TEL SYSTEM
					NO IDENT GROUND	IDENT GROUND		
						1000 Ω	2650 Ω	
Line Wire at Connecting Block	Tip Ring Grd A1 A		1	1	1	1	1	1
			2	2	2	2	2	2
			4	4	4	4	4	4
Mounting Cord at Connecting Block		G	1	1	1	1	1	1
		R	2	2	2	2	2	2
		Y	4	4	4	4	4	4
		BK	5	5	5	5	5	5
		BL	6	6	6	6	6	6
		W	7	7	7	7	7	7
Mounting Cord in Set		G	A	G	A	A	A	A
		R	G	A	G	G	G	G
		Y	L2	L2	L2	L2	L2	L2
		BK	TB2-1	TB2-1	TB2-1	TB2-1	TB2-1	TB2-1
		BL	*	*	*	*	*	*
		W	*	*	*	*	*	*
Ringer Leads		R	TB1-7	TB1-7	TB1-7	TB1-6	TB1-6	TB1-7
		BK	TB1-6	TB1-6	TB1-6	TB1-7	TB1-7	TB1-6
		S	*	*	*	B	*	*
		S-R	*	*	*	*	B	*
Ringer Straps		BR	K	K	K	K	K	K
		G	G	L2	L2	L2	L2	G
Dial Leads		G	A	G	A	A	A	A
		O-BK	C	C	C	C	C	C
Headset Key Lead		S-V	G	A	G	G	G	G

* Insulate and store