

SERVICE

2660A1M TELEPHONE SETS

1. GENERAL

1.01 This section contains connection information for the 2660A1M (modular) telephone set (Fig. 1). For additional information refer to Sections 502-600-102 and 502-603-121. For 4A speakerphone connections refer to Section 512-730-450.

1.02 Reissued to:

- Delete connection information for 2-line pickup and exclusion options

- Revise Table A.

1.03 The 2660A1M telephone set is factory-wired for bridged ringing. For all other services, refer to Table A.

1.04 For polarity guard connections, refer to Table B.

NOTICE

Not for use or disclosure outside the
Bell System except under written agreement

Printed in U.S.A.

Page 1

♦ TABLE A ♦

LINE AND RINGER CONNECTIONS – 2660A1M TELEPHONE SETS

WIRE OR LEAD			INDIV OR BRIDGED	RING PARTY	TIP PARTY			1A1 OR 1A2 KEY TEL SYSTEM
					NO IDENT GROUND	IDENT GROUND		
						1000Ω	2650Ω	
Mtg Cord at Conn. Block	Tip	G	G	G	G	G	G	
	Ring	R	R	R	R	R	R	
	Grd A1	Y	Y	Y	Y	Y	Y	
	A	BK	*	*	*	*	B	
623P4 Jack Assy or Mtg Cord at Net.	Tip	G	G	G	G	G	A	
	Ring	R	L2	L2	L2	L2	L2	
	Grd A1	Y	L1	L1	L1	L1	G	
	A	BK	*	*	*	*	F	
Ringer Leads at TB1	R	7	7	7	7	7	7	
	BK	6	6	6	6	6	6	
	S†	*	*	*	5	*	*	
	S-R†	*	*	*	*	5	*	
Line Switch Leads at Net.	BR	F	F	F	F	F	F	
	W	C	C	C	C	C	C	
	S	*	*	*	K	K	*	
Dial Leads at Net.	G	F	F	F	F	F	A	
Ringer Straps between TB2 and Net.	G	7 to L2	7 to L2	7 to G	7 to A	7 to A	7 to L2	
	G-R	6 to K	6 to K	6 to K	6 to L1	6 to L1	6 to K	
Strap between Net. Term.	G	A to G	A to L1	A to L1	A to *	A to *	A to *	

*Insulated and stored.

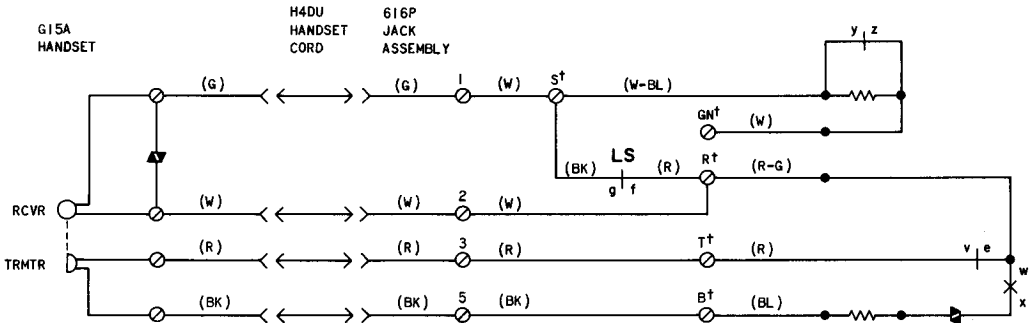
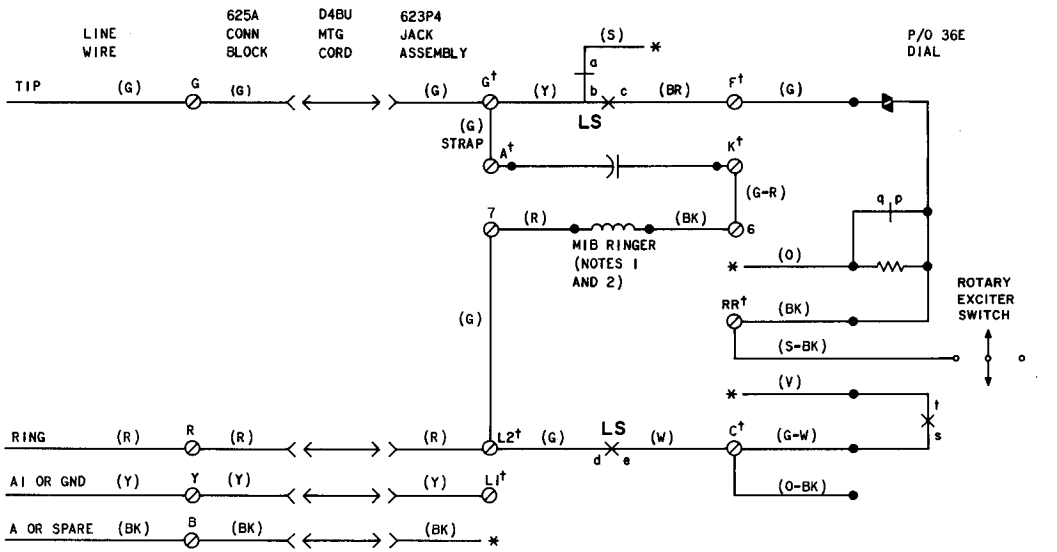
†Leads on M1A ringer only.

TABLE B

819040122 (P-90D012) POLARITY GUARD CONNECTIONS

	TEL SET LEADS			POLARITY GUARD LEADS	
	(W) LINE SWITCH	(G-W) DIAL	(BK) DIAL	(W)	(G)
Remove From	C of network		RR of network	—	—
Connect To	S of polarity guard		T of polarity guard	C of network	RR of network

Note: For use when specified by local instructions for end-to-end signaling.



- NOTES:
1. 2660A1M TELEPHONE SET IS FACTORY-WIRED FOR BRIDGED RINGING. FOR ALL OTHER SERVICES REFER TO TABLE A.
 2. CONNECTIONS FOR MIB RINGER SHOWN. CONNECTIONS FOR MIA RINGER SAME AS MIB EXCEPT (S) AND (S-R) RINGER LEADS ARE INSULATED AND STORED. MIA RINGER MUST BE USED FOR TIP PARTY IDENTIFICATION.

* - INSULATED AND STORED
 † - NETWORK TERMINAL, UNDESIGNATED TERMINALS ARE ON TBI.

LS-LINE SWITCH

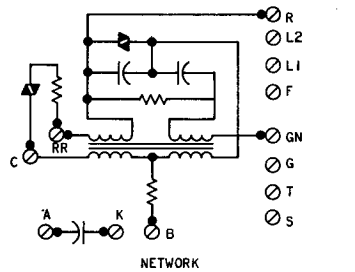


Fig. 1—2660A1M Telephone Set, Connections