

## SERVICE

### 2662A1M TELEPHONE SET

#### 1. GENERAL

**1.01** This section contains connection information for the 2662A1M telephone set (Fig. 1). For additional information refer to Sections 502-600-102 and 502-603-131. For 4A speakerphone connections, refer to Section 512-730-455.

**1.02** Reissued to:

- Revise Table A
- Delete exclusion connection information
- Add speakerphone lead color information

**1.03** When a 2662A1M telephone set is not used as a speakerphone set and is multiplied with any other set capable of furnishing speakerphone feature, speakerphone leads must be disconnected, insulated, and stored either at the telephone set or at the multiplying point. If not disconnected, the speakerphone leads will provide a common path between the circuits of the multiplied telephone sets. The leads to be disconnected are as follows: T1 (V-G), R1 (G-V), IT (V-BR), IR (BR-V), AG (V-S), and LK (S-V).

**1.04** To install polarity guard, refer to Table A.

**1.05** For key conversion from pickup to signaling, refer to Table B.

**1.06** For conductor assignments on 66-type connecting block or A25B connector cable, refer to Table C.

**1.07** The 1A1 or 1A2 KTS can be modified for I hold and station busy lamp options as shown in Fig. 2.

**1.08** The 1A KTS can be modified for station busy lamp option as shown in Fig. 3.

◆ TABLE A ◆

819040122 (P-90D012) POLARITY  
GUARD CONNECTIONS

LEAD		REMOVE FROM	CONNECT TO	
		NET	NET	POLARITY GUARD
Dial	BK	RR		T
	G-W	C		S
Line Switch	W	C		S
Polarity Guard	G		RR	
	W		C	

*Note:* Polarity guard used when specified by local instruction for end-to-end signaling installation when battery and ground reversals may be encountered.

#### NOTICE

Not for use or disclosure outside the  
Bell System except under written agreement

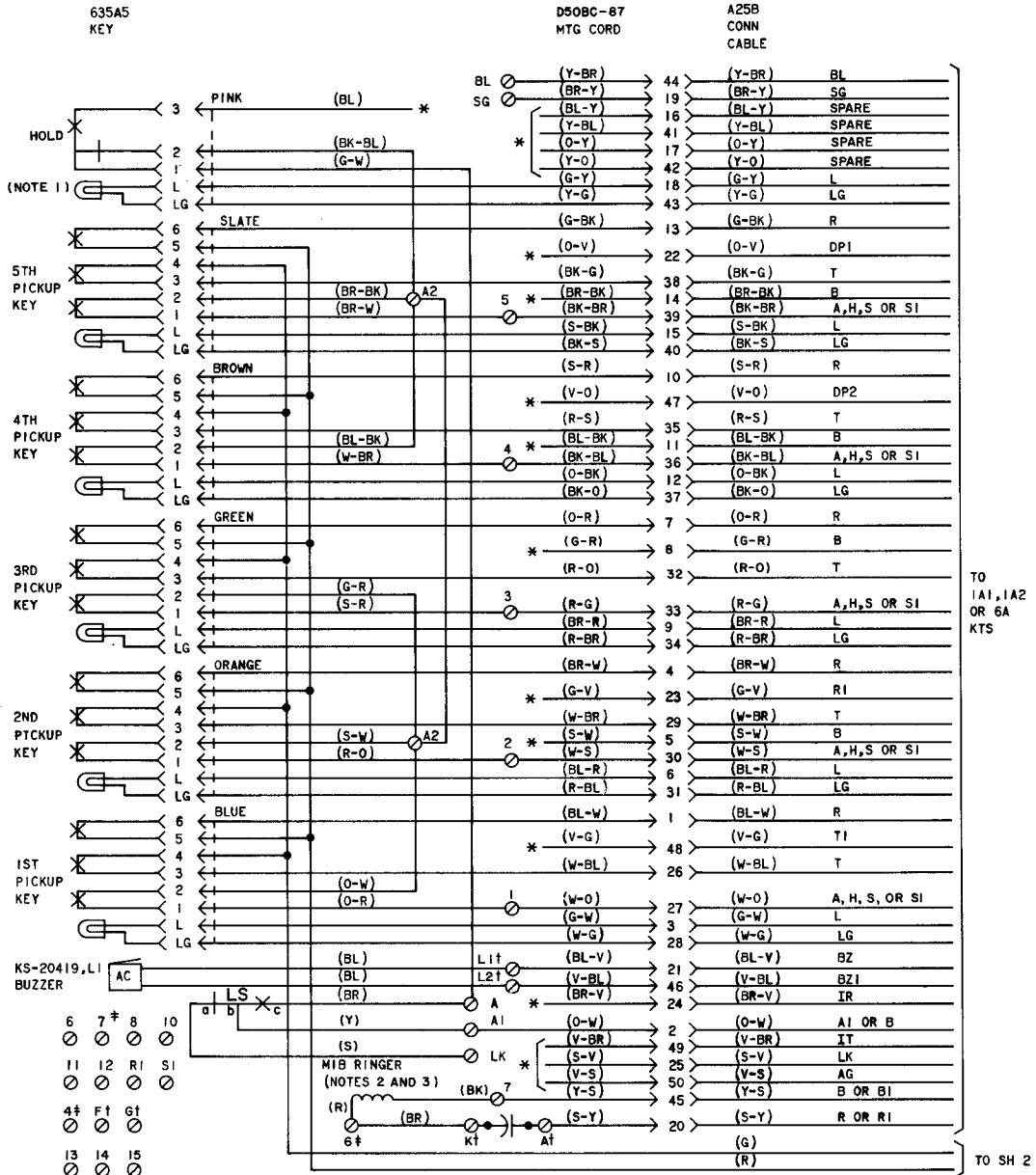


Fig. 1—2662A1M Telephone Set, Connections (Sheet 1 of 2)

NOTES:

1. TO USE 6TH LAMP, EQUIP KEY WITH THE PROPER LAMP AND CONNECT ASSOCIATED LEADS AT EQUIPMENT OR DISTRIBUTION TERMINAL AS REQUIRED.
2. IF CAPACITOR IS NOT REQUIRED IN RINGER CIRCUIT, MOVE (BR) STRAP FROM K TO A OF NETWORK.
3. TO SILENCE RINGER FOR ALL CLASSES OF SERVICE, REFER TO APPROPRIATE RINGER SECTION IN DIVISION 501.
4. TO PREVENT A FALSE HOLD CONDITION WHEN GOING ON-HOOK, THE TIP AND RING LINE SWITCH CONTACTS MUST BREAK BEFORE THE "A" LEAD CONTACTS BREAK. FIELD ADJUSTMENT OF LINE SWITCH IS NOT RECOMMENDED.

- \* - INSULATED AND STORED
- † - NETWORK TERMINAL, UNDESIGNATED
- ‡ - TERMINALS ARE ON TB2
- § - TERMINAL ON TB1
- H - HOLD KEY
- LS - LINE SWITCH

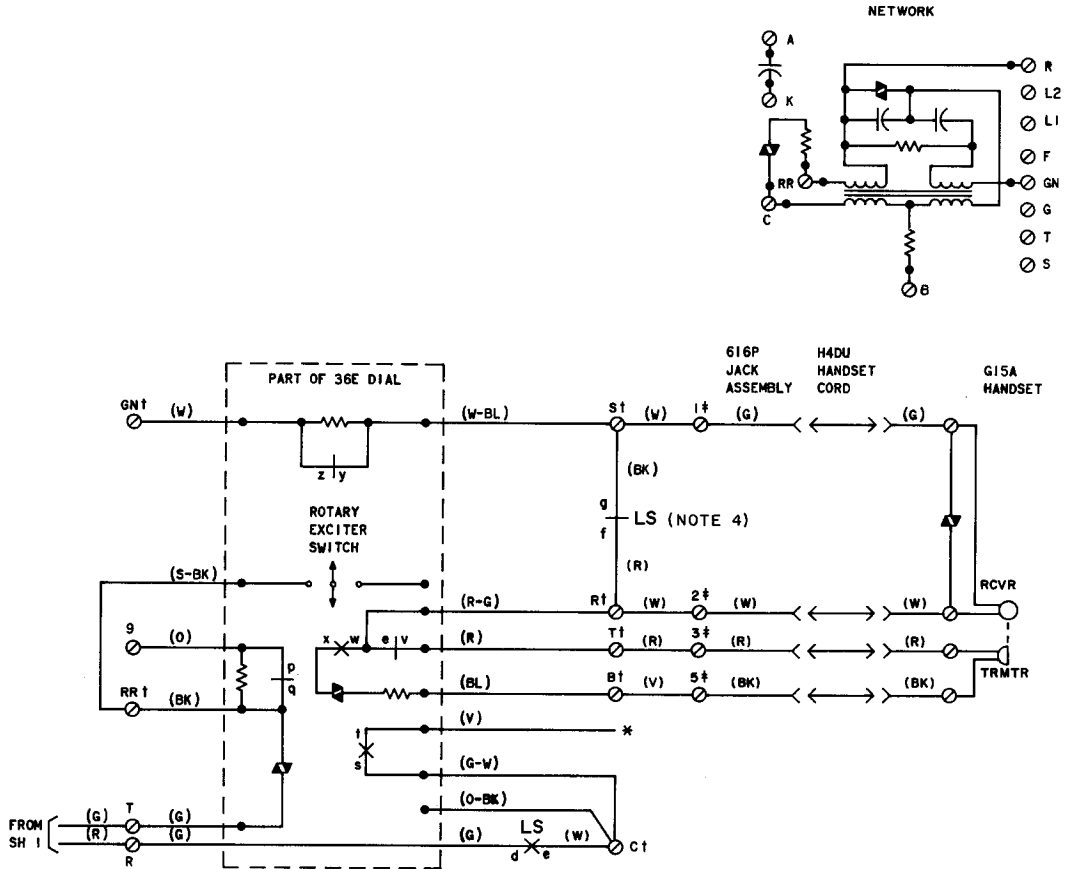
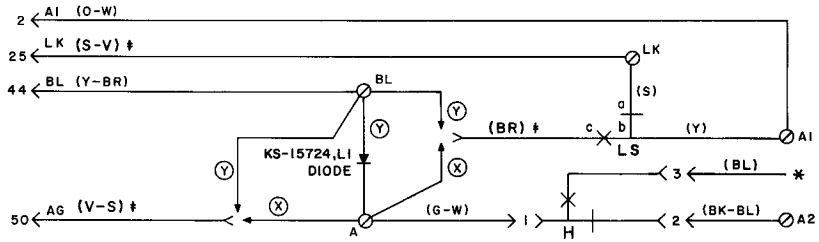
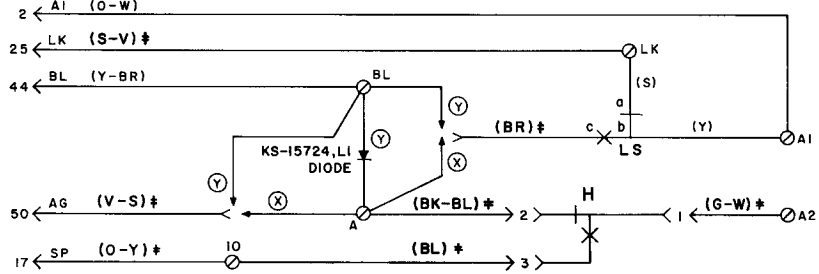


Fig. 1—2662A1M Telephone Set, Connections (Sheet 2 of 2)



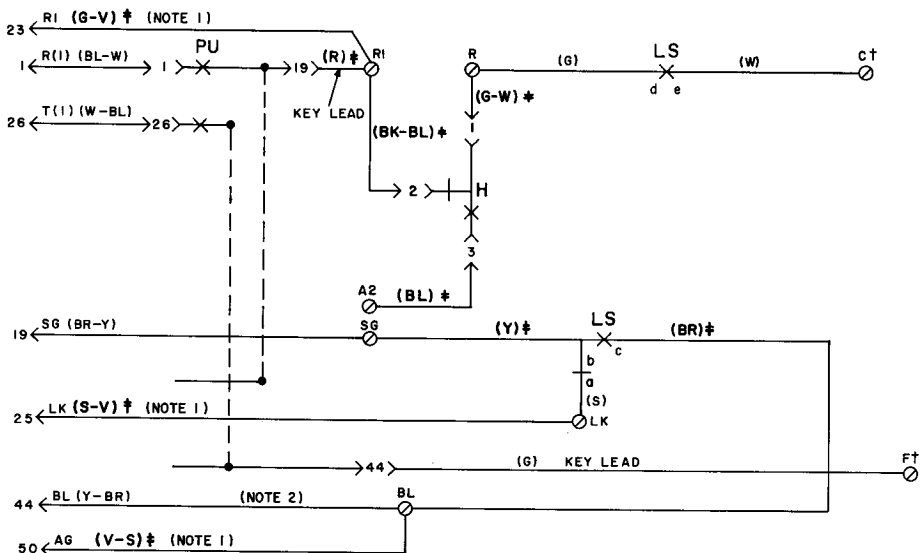
A. WITHOUT I HOLD



B. WITH I HOLD

- LEGEND:
- \* - INSULATED AND STORED
  - # - LEADS INVOLVED IN MODIFICATION
  - H - HOLD KEY
  - LS - LINE SWITCH
  - (X) - WITHOUT BUSY LAMP
  - (Y) - WITH BUSY LAMP, USE KS-15724, LI DIODE

Fig. 2—1A1 or 1A2 KTS—I Hold and/or Station Busy Lamp Modification (2662A1M Telephone Set)



NOTES:

1. IF SPEAKERPHONE IS NOT PROVIDED THESE LEADS ARE INSULATED AND STORED.
2. IF STATION BUSY LAMP IS NOT PROVIDED, REMOVE (Y-BR) MOUNTING CORD LEAD FROM BL TERMINAL; INSULATE AND STORE.

LEGEND:

- \* - INSULATE AND STORE
- † - NETWORK TERMINAL
- ‡ - LEADS INVOLVED IN MODIFICATION
- H - HOLD KEY
- LS - LINE SWITCH
- PU - PICKUP KEY

Fig. 3—2662A1M Telephone Set Converted for 1A KTS—With or Without Busy Lamp or Speakerphone

TABLE B

## PICKUP-SIGNAL KEY CONVERSION, 2662A1M TELEPHONE SET

CONVERSION OPTIONS	635A5 KEY LEADS					
	(O-W)	(S-W)	(G-R)	(BL-BK)	(BR-BK)	(BR-W)
HPPPPP (Note)	A2	A2	A2	A2	A2	5
HPPPPS	A2	A2	A2	A2	SG	5
HPPSSS	A2	A2	A2	SG	SG	5
HPPSSS	A2	A2	SG	SG	SG	5
HPPPP*S*	A2	A2	A2	S1	A2†	S1
HPPPP*P*S*	A2	A2	S1	S1	A2†	S1
HPP*P*P*S*	A2	S1	S1	S1	A2†	S1

\* These arrangements use line switch controlled ground for common signal key used with private or intercommunicating lines. Common signal should be used to operate a common signal relay. Do not wire directly to a buzzer.

† For 1A KTS connect (BR-BK) key lead to BL terminal.

*Note:* 635A5 key is furnished in 2662A1M telephone set. To convert from pickup (locking) to signal (nonlocking) remove 812857738 or P-28E773 screw from plunger at the key position being converted.

**TABLE C**  
**CONDUCTOR ASSIGNMENTS USING 66E-TYPE CONNECTOR BLOCK OR A25B CONNECTOR CABLE**

LEAD DESIG	2662A1M TEL SET TERM.†	MTG CORD OR A25B CONN CABLE		PLUG OR CONN	66E-TYPE CONN BLOCK
		PAIR NO.	COND COLOR	PIN NO.	CLIP TERM. NO.
T R	3 6	1	W-BL BL-W	26 1	1 2
A, H, S, or S1 A1 or B†	TB2-1 TB2-A1	2	W-O O-W	27 2	3 4
LG L1	LG L	3	W-G G-W	28 3	5 6
T R	3 6	4	W-BR BR-W	29 4	7 8
A, H, S, or S1 Spare or B†	TB2-2 *	5	W-S S-W	30 5	9 10
LG L2	LG L	6	R-BL BL-R	31 6	11 12
T R	3 6	7	R-O O-R	32 7	13 14
A, H, S, or S1 Spare or B†	TB2-3 *	8	R-G G-R	33 8	15 16
LG L3	LG L	9	R-BR BR-R	34 9	17 18
T R	3 6	10	R-S S-R	35 10	19 20
A, H, S, or S1 Spare or B†	TB2-4 *	11	BK-BL BL-BK	36 11	21 22
LG L4	LG L	12	BK-O O-BK	37 12	23 24
T R	3 6	13	BK-G G-BK	38 13	25 26
A, H, S, or S1 Spare or B†	TB2-5 *	14	BK-BR BR-BK	39 14	27 28
LG L5	LG L	15	BK-S S-BK	40 15	29 30
Spare Spare	* *	16	Y-BL BL-Y	41 16	31 32
Spare Spare	* *	17	Y-O O-Y	42 17	33 34
LG L6	LG L	18	Y-G G-Y	43 18	35 36
BL SG	TB2-BL TB2-SG	19	Y-BR BR-Y	44 19	37 38
B or B1 R or R1	TB1-7 A of net	20	Y-S S-Y	45 20	39 40
BZ1 BZ	L2 of net L1 of net	21	V-BL BL-V	46 21	41 42
Spare or DP2 Spare or DP1	* *	22	V-O O-V	47 22	43 44
Spare or T1 Spare or R1	* *	23	V-G G-V	48 23	45 46
Spare or IT Spare or IR	* *	24	V-BR BR-V	49 24	47 48
Spare or AG Spare or LK	* *	25	V-S S-V	50 25	49 50

\* Insulate and store.

† When set is used in 1A key telephone system, these balance leads must not be used for other purposes.

‡ Contracts of key plug unless otherwise noted.