

## REFERENCE

### 1752-TYPE TELEPHONE SETS

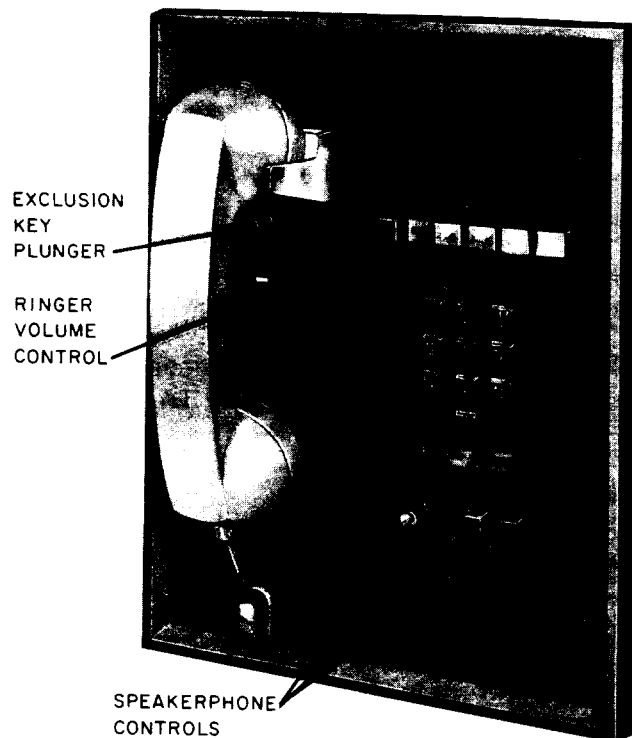


Fig. 1—1752-Type Telephone Set

#### 1. GENERAL

**1.01** This section provides identification and installation information for the 1752-type telephone set (Fig. 1). This information was formerly contained in Section 502-750-102.

**1.02** This set may be flush mounted in a 114-type apparatus box or recessed in a 113-type apparatus box. Refer to Division 463 for information on these boxes.

#### 2. IDENTIFICATION

**2.01** Component parts for the 1752-type telephone set are mounted on a steel panel which is secured to the apparatus box. A mat retained by

a plastic frame covers the panel and gives the installation a finished appearance.

**2.02** The 1752B-60 set is available in two color schemes. The 1752A-58 set is equipped with an aluminum colored mat, white handset, and a light gray plastic frame. This 1752B-60 set is equipped with a copper colored mat, light beige handset, and a light beige plastic frame.

TABLE A

#### COMPONENT PARTS — 1752 TELEPHONE SETS

COMPONENT	TELEPHONE SET	
	1752A-58*	1752B-60*
Handset	G3K-58	G3K-60
Dial	25B3(MD) or 25Y3†	
Ringer	P1A	
Network	4010D	
Cord Reel	3A or 3B‡	
Mounting Cord Assembly	D50AA-3	
Excn Key and Line Switch Assy	P-84E861	P-84E860
Line Pickup Key	635A2 or 635A5	
Collar (for 635-type Key)	P-88E166	
Trmtr	P-29E579	
Lspk assy	762A	
Mat	P-27E186 P-21F792†	P-27E187 P-21F793†
Mat Frame	P-84A261	P-84A260

\* Recommended replacement is 2752-type telephone set.

† May be converted to provide 12-button capability by installing a D-180115 Kit of Parts and replacing mat with appropriate 12-button mat.

‡ Current production models are equipped with the 3B cord reel. Either the 3A or 3B cord reel may be used when the telephone set is not subjected to temperatures below 40 degrees F. Below 40 degrees F only the 3A cord reel should be used.

**SECTION 502-706-102**

**2.03 Replaceable optional components for the 1752 telephone set includes the following:**

- Buzzer, KS-8109L2 (AC or DC) or KS-20419L1 (10V AC only)
- Transmitter, 664B
- P-90D061 Guard Assembly

**2.04 Associated apparatus or equipment (ordered separately) includes:**

- Box, Apparatus 114A (recessed mounting) or 113-type (partially recessed mounting)

**Note:** Do not use 113-type in new installation unless necessary.

- D-180039 or D-180040 Kit of Parts (required when 113-type apparatus box is used)
- Block, Connecting, 75A
- Cable, Connector, A25B
- D-180115 Kit of Parts (12-button dial conversion)
- Cord, Mounting, D50AA-3

**2.05 Associated optional apparatus or equipment:**

- Unit, Control, 51A
  - Receiver, 730A
  - Transformer, 2012A or KS-16184
  - Unit, Control, 55-type
  - Transformer, 2012B
- } 1A Home Interphone
- } Speakerphone

**2.06 Loose parts furnished with set include:**

- Form E-5253 Designation Tab
- P-160828 Mounting Screws (4)
- P-25E803 Retainer Card

**2.07 Design features of the 1752-type telephone set include:**

- 5-line pickup with hold
- Exclusion
- Pickup keys convertible for signaling
- AC or DC operated buzzer (optional)
- Polarity guard (optional)
- 1A home interphone (optional)
- 3-type speakerphone (optional)

**2.08** The 1752 telephone set is intended for use with CO or PBX lines and 1A, 1A1, 1A2, or 6A key telephone systems.

**3. INSTALLATION**

**3.01** To install a 1752-type telephone set in a 114A apparatus box (flush mounting):

**Note:** If an A25B is used to connect telephone set, proceed to (4).

- (1) Dress inside wiring cable conductors through appropriate slots in the 75A connecting block (ordered separately).
- (2) Secure connecting block to mounting bracket in apparatus box.
- (3) Terminate inside wire and D50AA-3 mounting cord conductors in standard color code sequence. Dress mounting cord slack to right side and back of apparatus box (or in applique if provided).
- (4) Remove plastic retainer frame and mat from telephone set.
- (5) Connect mounting cord (or A25B connector) to telephone set plug and secure in place with connector retainer (Fig. 2).

(6) Position and secure telephone set in the apparatus box using four mounting screws provided with set.

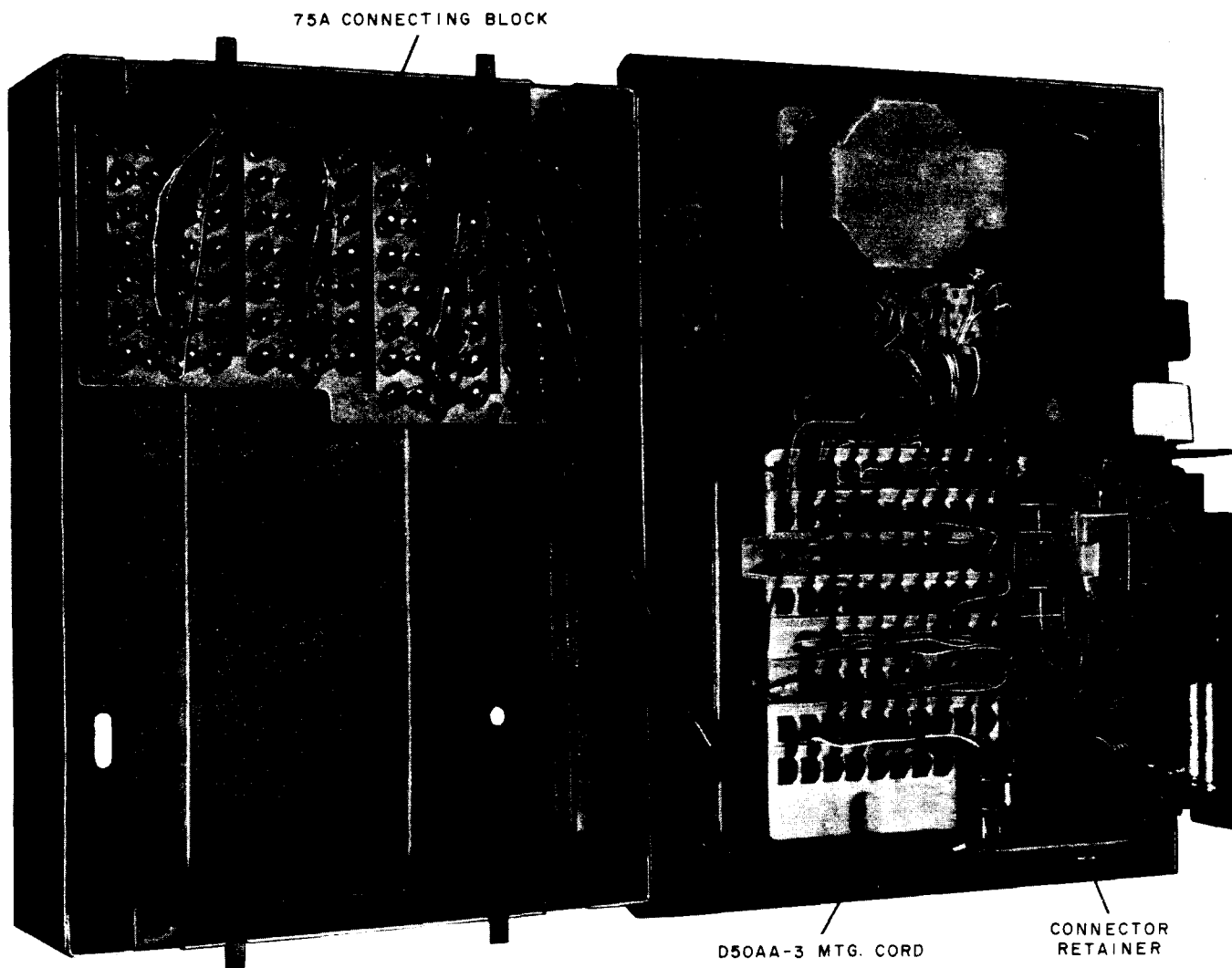
(7) Position mat on panel and secure using the next retainer frame. If necessary, the projecting tabs may be adjusted to insure a snug fit.

**3.02** To install a 1752-type telephone set in a 113-type apparatus box (partially recessed mounting):

**Note:** A D-180039 (light gray frame) or D-180040 (light beige frame) Kit of Parts,

ordered separately, is required when these sets are to be installed in a 113-type apparatus box (Fig. 3). If an A25B connector cable is used to connect telephone set, proceed to (4).

- (1) Dress inside wiring cable conductors through appropriate slots in the 75A connecting block (ordered separately).
- (2) Secure connecting block to upper right hand mounting brackets of apparatus box.
- (3) Terminate inside wire and D50AA-3 mounting cord conductors in standard color code sequence. Dress mounting cord slack to right



**Fig. 2—Installation Detail Using D50AA-3 Mounting Cord and 75A Connecting Block with 114A Apparatus Box**

## SECTION 502-706-102

side and back of apparatus box (or in applique if provided).

(4) Using the four mounting screws supplied with the telephone set, secure the P-29E247 plate assembly from the D-180039 or D-180040 Kit of Parts to the set mounting brackets of the apparatus box (Fig. 3 and 4).



***Exercise care when installing plate assembly with long mounting screws to prevent damaging the 75A connecting block or D50AA-3 mounting cord. If the screws are too long they may be interchanged with the P-205654 screws supplied with the kit of parts.***

(5) Secure two rests (P-29E312), from the kit of parts, to the plate assembly using four screws (P-129732) furnished with the kit.

(6) Remove plastic retainer frame and mat from telephone set. The plastic frame furnished with the telephone set will not be required for this installation.

(7) Connect mounting cord (or A25B) connector to the telephone set plug and secure in place with connector retainer (Fig. 4).

(8) Position telephone set in the plate assembly and secure to the rests using four mounting screws (P-205654) furnished with the kit of parts.

(9) Position mat on panel and secure using plastic frame (P-89C260 or P-89C261) from kit of parts.

**3.03** For installation of optional 1A home interphone components, refer to appropriate connection and maintenance section in Division 512.

**3.04** The P-90D061 guard assembly (Fig. 5) is an early production model. Current production is similar in appearance. Component locations and the method of securing the P-21F989 bracket to the guard assembly have been changed. Mounting in the telephone set and connections remain the same.

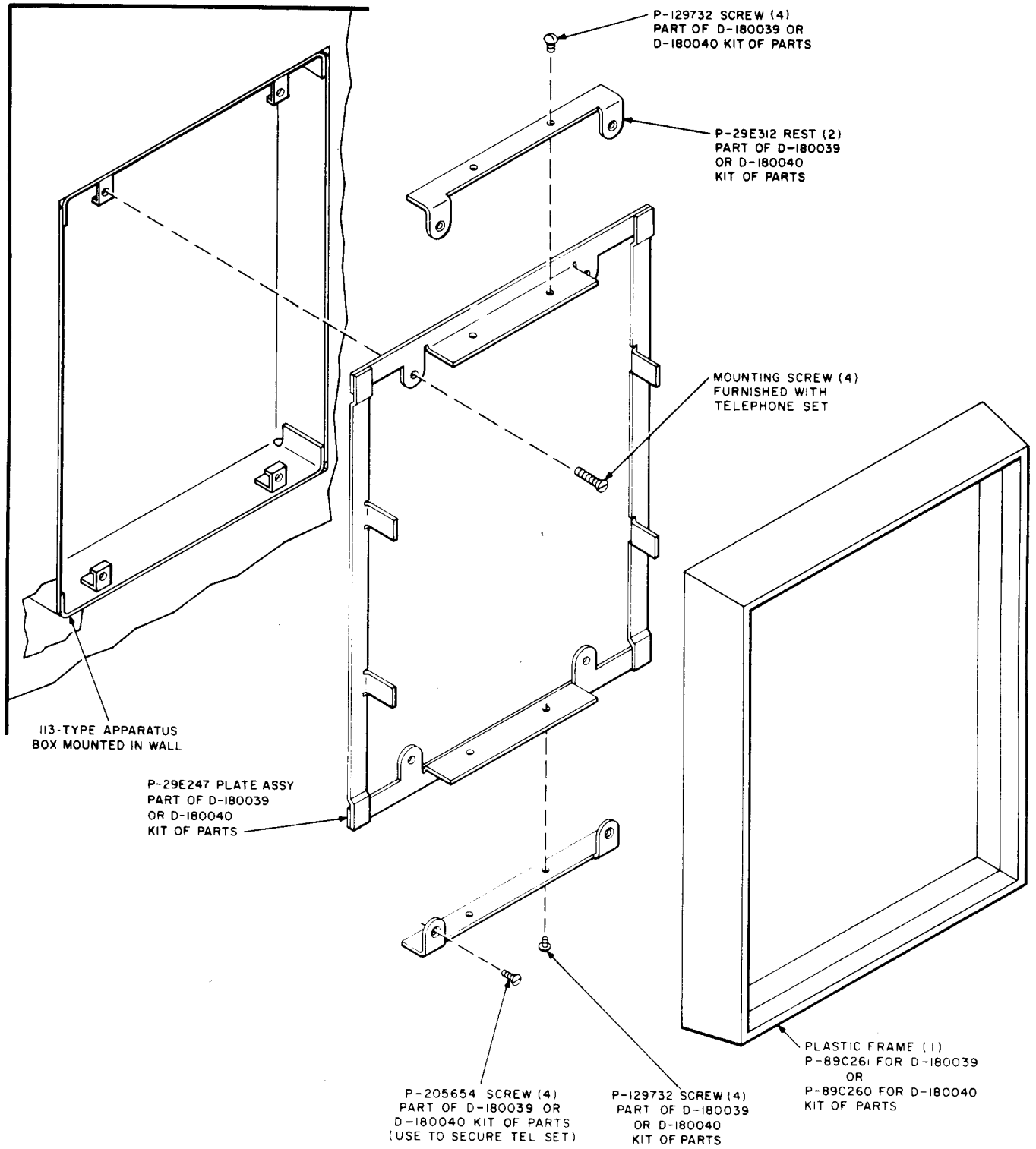


Fig. 3—D-180039 or D-180040 Kit of Parts

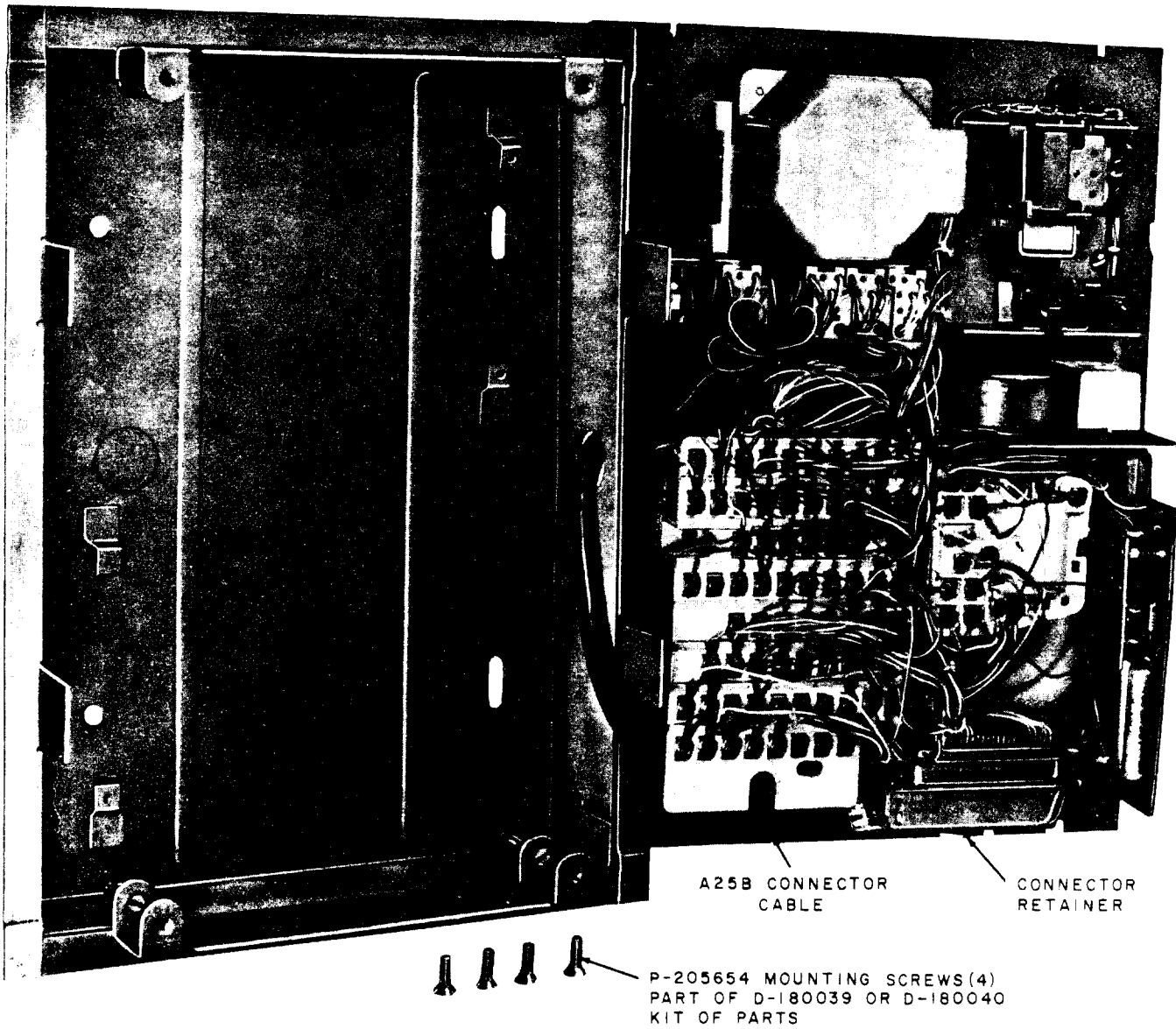
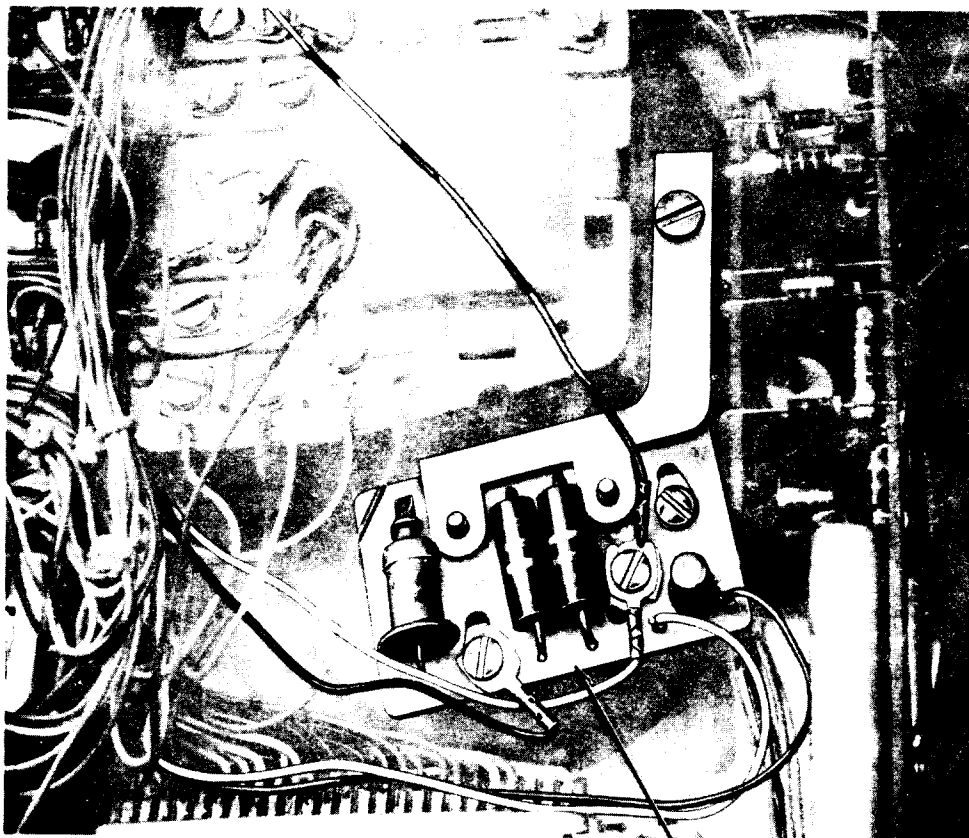


Fig. 4—Installation Detail Using A25B Connector Cable with 113-Type Apparatus Box



P-90D061  
GUARD ASSEMBLY

Fig. 5—Installed P-90D061 Guard Assembly