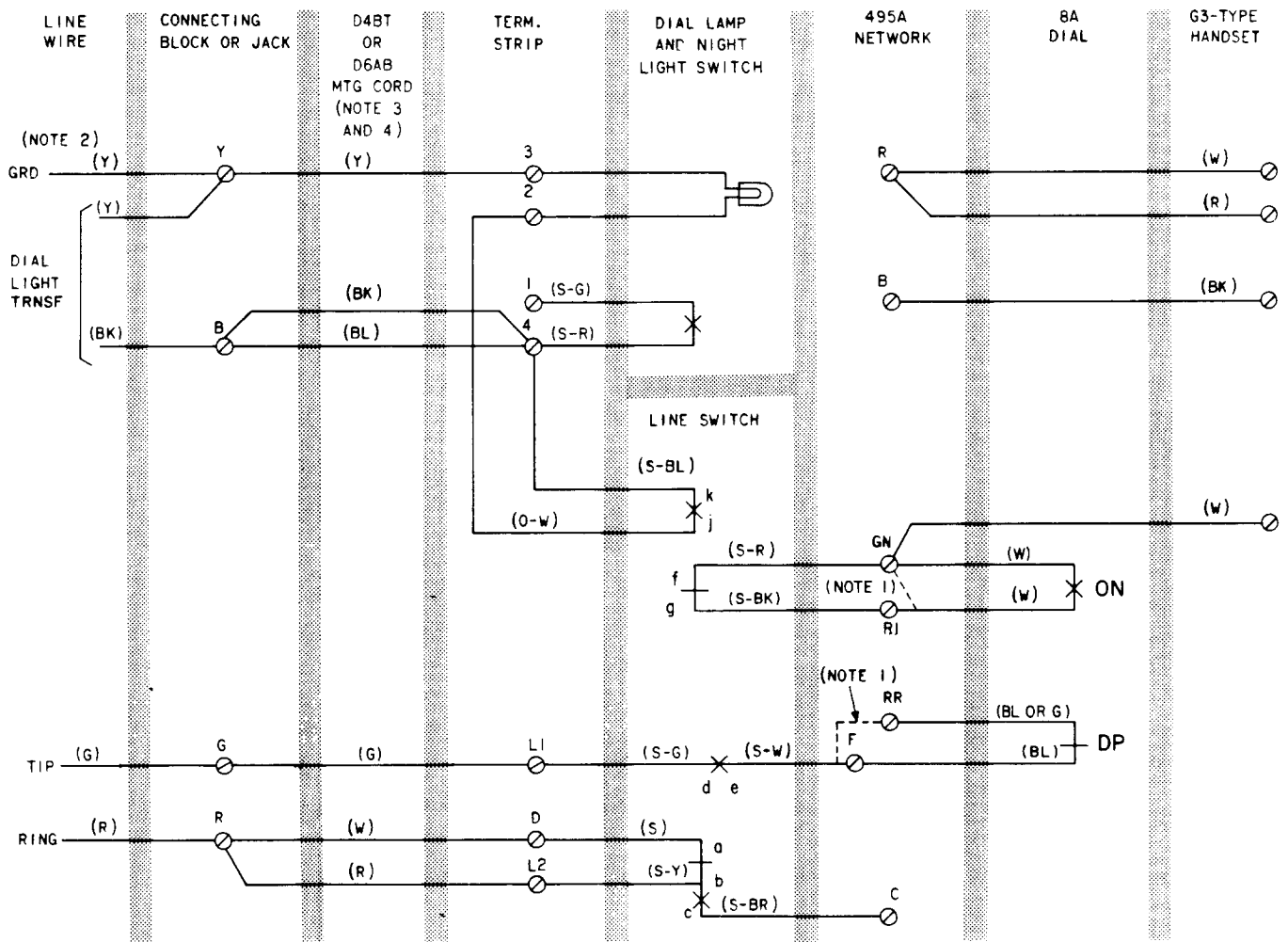


SERVICE 701B TELEPHONE SETS

1. GENERAL

1.01 Reissued to:

- Change Tables A and B
- Add D4BT mounting cord to Fig. 1 and 2



NOTES:

1. DASHED LINES INDICATE CONNECTION FOR MANUAL SERVICE. DIAL REMAINS ON SET.
2. GROUND MAY BE OMITTED IF NOT REQUIRED FOR SERVICE; NOT NECESSARY FOR PROTECTION OF DIAL LIGHT TRANSFORMER.
3. INSULATE AND STORE (BL) AND (w) CONDUCTORS IN PORTABLE INSTALLATIONS.
4. (BL) AND (w) LEADS ON D6AB CORD ONLY.

DP- DIAL PULSE
ON- OFF NORMAL

LINE SWITCH SEQUENCE:
bc- MAKE
de- MAKE
ab- BREAK
fg- BREAK

TPA 542402

Fig. 1—701B (MD) Telephone Set Connections, Without Ringer or as a Portable Installation

◆ TABLE A ◆

**CONNECTIONS FOR TIP, BRIDGED, OR RING PARTY SERVICE
WHEN USING TELEPHONE SET WITHOUT RINGER**

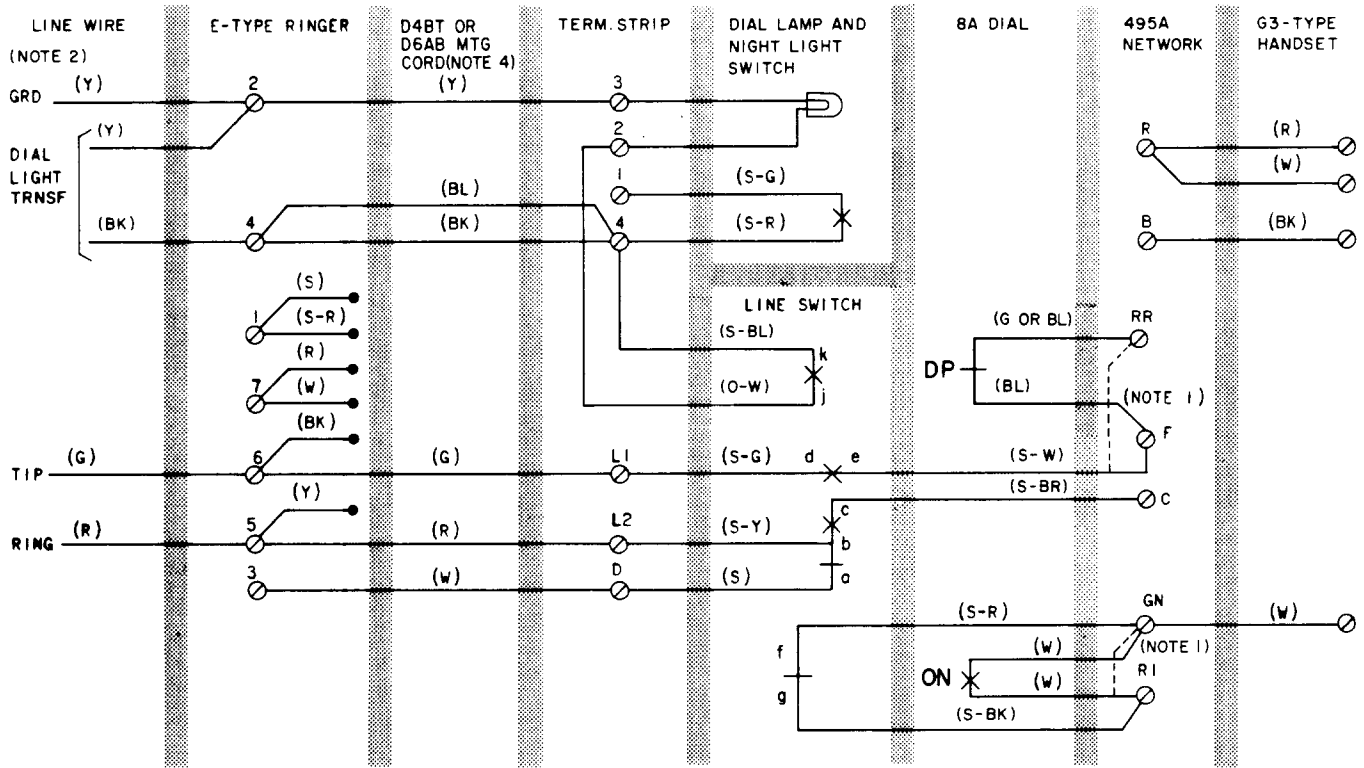
| WIRE OR LEAD | | COLOR | INDIVIDUAL OR BRIDGED | RING PARTY | TIP PARTY | TIP PARTY WITH IDENT GRD | |
|---|------|------------------------------|------------------------------|------------------------------|------------------------------|-----------------------------|-----------------------------|
| | | | | | | 1000Ω | 2500Ω |
| Line Wire at Conn Block | Ring | R | R | R | R | R | R |
| | Tip | G | G | G | G | G | G |
| | Grd | Y | Y | Y | Y | Y | Y |
| Trnsf Leads at Conn Block | | Y BK | Y B | Y B | Y B | Y B | Y B |
| Mtg Cord at Conn Block | | R G Y BL W BK | R G Y B R B | R G Y B R B | G R Y B R B | G R Y B G B | G R Y B G B |
| Mtg Cord at Set | | R G Y BL W BK | L2 L1 3 4 D 4 | L2 L1 3 4 D 4 | L2 L1 3 4 D 4 | L2 ‡ 3 4 D 4 | L2 ‡ 3 4 D 4 |
| 1610A or 1635A Inductor Leads at Set | | BK R S | | | | 3 L1 * | 3 * L1 |
| Line Switch | | S-W | F † | F † | F † | B † | B † |

* Insulate and store.

† Terminal on network.

‡ Remove (G) mounting cord lead from L1 terminal in set and connect to terminal F of network using D-161488 connector and M1W cord.

Note: Connections include modifications to prevent false billing due to incomplete hangup.



NOTES:

1. DASHED LINES INDICATE CONNECTIONS FOR MANUAL SERVICE. DIAL REMAINS ON SET.
2. GROUND MAY BE OMITTED IF NOT REQUIRED FOR SERVICE, NOT NECESSARY FOR PROTECTION OF DIAL LIGHT TRANSFORMER.
3. WIRED FOR BRIDGED RINGING, REFER TO TABLE B FOR ALL OTHER CLASSES OF SERVICE.
4. (BL) AND (W) LEADS ON D6AB CORD ONLY.

DP - DIAL PULSE
 ON - OFF NORMAL
 LINE SWITCH SEQUENCE:
 bc - MAKE
 de - MAKE
 ab - BREAK
 fg - BREAK

TPA 542403

Fig. 2—701B (MD) Telephone Set Connections, With E-Type Ringer

◆ TABLE B ◆

LINE AND RINGER CONNECTIONS WITH E1C OR E1A (MD) RINGER

| WIRE OR LEAD | | COLOR | INDIVIDUAL OR BRIDGED | RING PARTY | TIP PARTY | TIP PARTY WITH IDENT GRD | | 4 PARTY FULLSELECTIVE 8 PARTY SEMISELECTIVE ‡ | |
|-----------------------------|--------------------|--------------|-----------------------------|---------------|--------------|-----------------------------|-------|--|--------------|
| | | | | | | 1000Ω | 2650Ω | - RING | + RING |
| Line at Ringer | Ring Tip Grd | R | 5 | 5 | 5 | 5 | 5 | 5 | 5 |
| | | G | 6 | 6 | 6 | 6 | 6 | 6 | 6 |
| | | Y | 2 | 2 | 2 | 2 | 2 | 2 | 2 |
| Ringer | | R | 7 | 7 | 7 | 7 | 1 | 2 | 5 |
| | | S-R | 1 | 1 | 1 | 1 | 2 | 1 | 1 |
| | | BK | 6 | 2 | 2 | 2 | 1 | 2 | 5 |
| | | S | 1 | 1 | 1 | 1 | 7 | 7 | 7 |
| Capacitor in Ringer | | W | 7 | 7 | 7 | 7 | 7 | 1 | 1 |
| | | Y | 5 | 3 | 3 | 3 | 3 | 7 | 7 |
| Trnsf Leads | | G or Y | 2 | 2 | 2 | 2 | 2 | 2 | 2 |
| | | R or BK | 4 | 4 | 4 | 4 | 4 | 4 | 4 |
| Mtg Cord at Ringer | | R | 5 | 5 | 6 | 6 | 6 | 5 | 5 |
| | | G | 6 | 6 | 5 | 5 | 5 | 6 | 6 |
| | | Y | 2 | 2 | 2 | 2 | 2 | 2 | 2 |
| | | BL | 4 | 4 | 4 | 1 | 1 | 4 | 4 |
| | | W | 3 | 3 | 3 | 3 | 3 | 1 | 1 |
| BK | 4 | 4 | 4 | 4 | 4 | 4 | 4 | | |
| Mtg Cord at Set | | R | L2 | L2 | L2 | L2 | L2 | L2 | L2 |
| | | G | L1 | L1 | L1 | § | § | L1 | L1 |
| | | Y | 3 | 3 | 3 | 3 | 3 | 3 | 3 |
| | | BL | 4 | 4 | 4 | L1 | L1 | 4 | 4 |
| | | W | D | D | D | D | D | † | † |
| BK | 4 | 4 | 4 | 4 | 4 | 4 | 4 | | |
| Line Switch | | S-W | F* | F* | F* | B* | B* | F* | F* |
| 426A Tube Leads | | BK R Y | | | | | | † L1 L2 | † L2 3 |

* Terminal on network.

† Remove W lead from D punching in set and connect to BK tube lead using D-161488 connector.

‡ Reverse (R) and (G) line wire at ringer for tip party service.

§ Remove (G) mounting cord lead from L1 terminal in set and connect to terminal F of network using D-161488 connector and M1W cord.