

SERVICE
1750A/B TELEPHONE SETS

1. GENERAL

1.01 Reissued to add:

- Nontechnical changes to Fig. 1 and 2
- Note to Table A

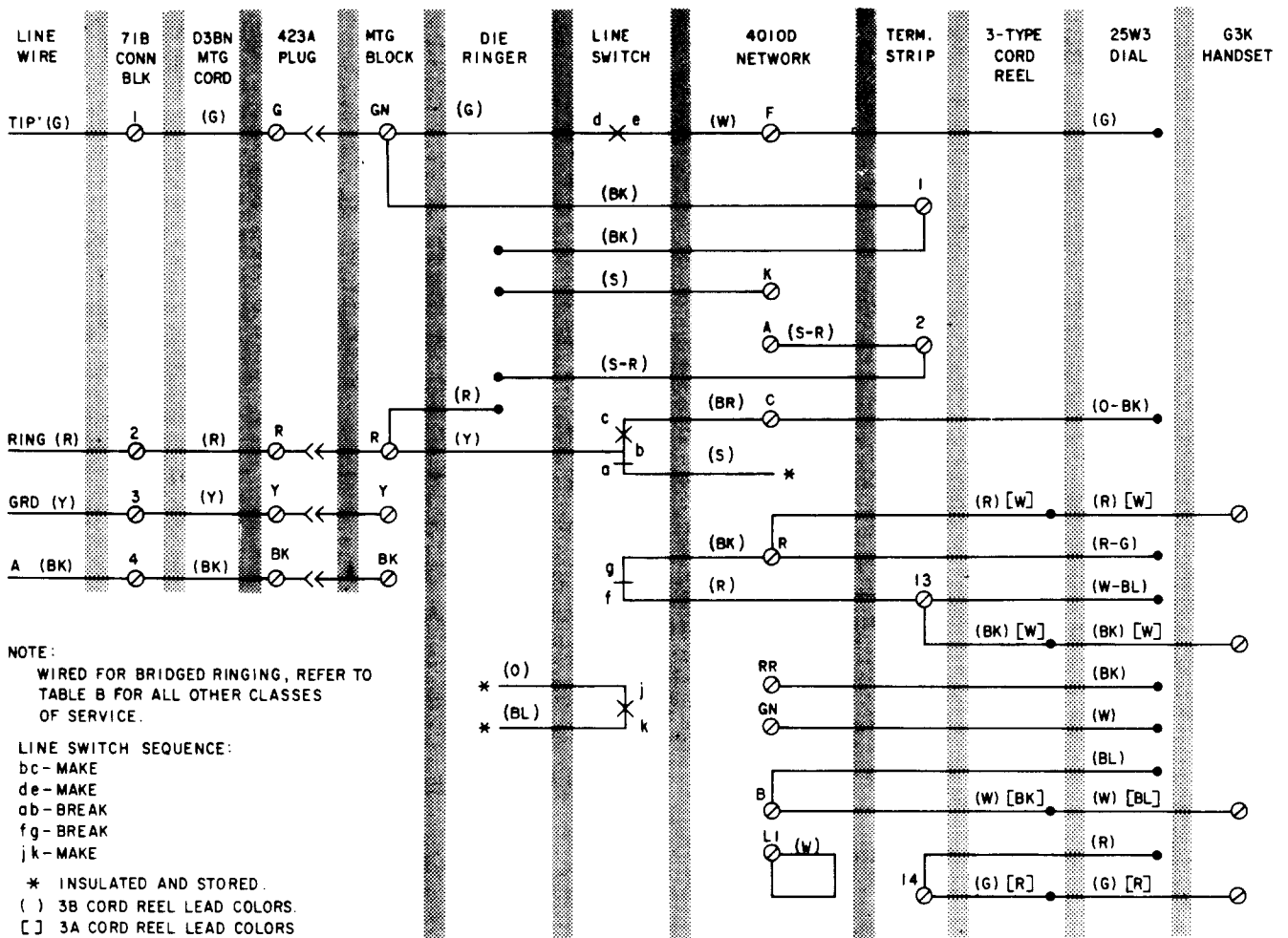


Fig. 1—1750A/B (MD) Telephone Set Connections With 25W3 (MD) Dial

TABLE A

**POLARITY GUARD CONNECTIONS
(P-90D060 GUARD ASSEMBLY)**



The 3A cord reels shall be used when the telephone set is subjected to temperatures below 40 degrees F. The 3B cord reel shall be used when the telephone set is not subjected to temperatures below 40 degrees F.

LEAD	COLOR	REMOVE	CONNECT TO	
		FROM NET.	NET.	POLARITY GUARD
Line Switch	(BR) [S-BR]*	C		S
Dial	(BK)	RR		T
Polarity Guard	(G) (W)		RR C	

* Set equipped with 25A3 (MD) dial.

Note: For use when specified by local instructions for end-to-end signaling installations.

() Current color code.

[] MD color code.

TABLE B

LINE AND RINGER CONNECTIONS

WIRE OR LEAD		COLOR	INDIVIDUAL OR BRIDGED	RING PARTY	TIP PARTY	TIP PARTY WITH IDENT GRD.	
						1000 OHMS	2650 OHMS
Incoming Line at 71B Connecting Block	Tip Ring GRD	(G)	1	1	1	2	2
		(R)	2	2	2	1	1
		(Y)	3	3	3	3	3
Ringer Leads (Note)		(R)	R	R	GN	L1	B
		(BK)	1	1	1	Y	L1
		(S)	K	K	K	B	K
		(S-R)	2	2	2	2	2
Line Switch	(S) (W)[S-S] (BR)[S-BR]	R	R	R	A	A	
		F	F	F	C	C	
		C	C	C	F	F	
Strap Connections	(BK) (S-R) (W)	GN to 1	1 to Y	1 to Y	B to 2 L1 to K	Y to 2 L1 to B	
		A to 2	A to 2	A to 2			
		L1	L1	L1			

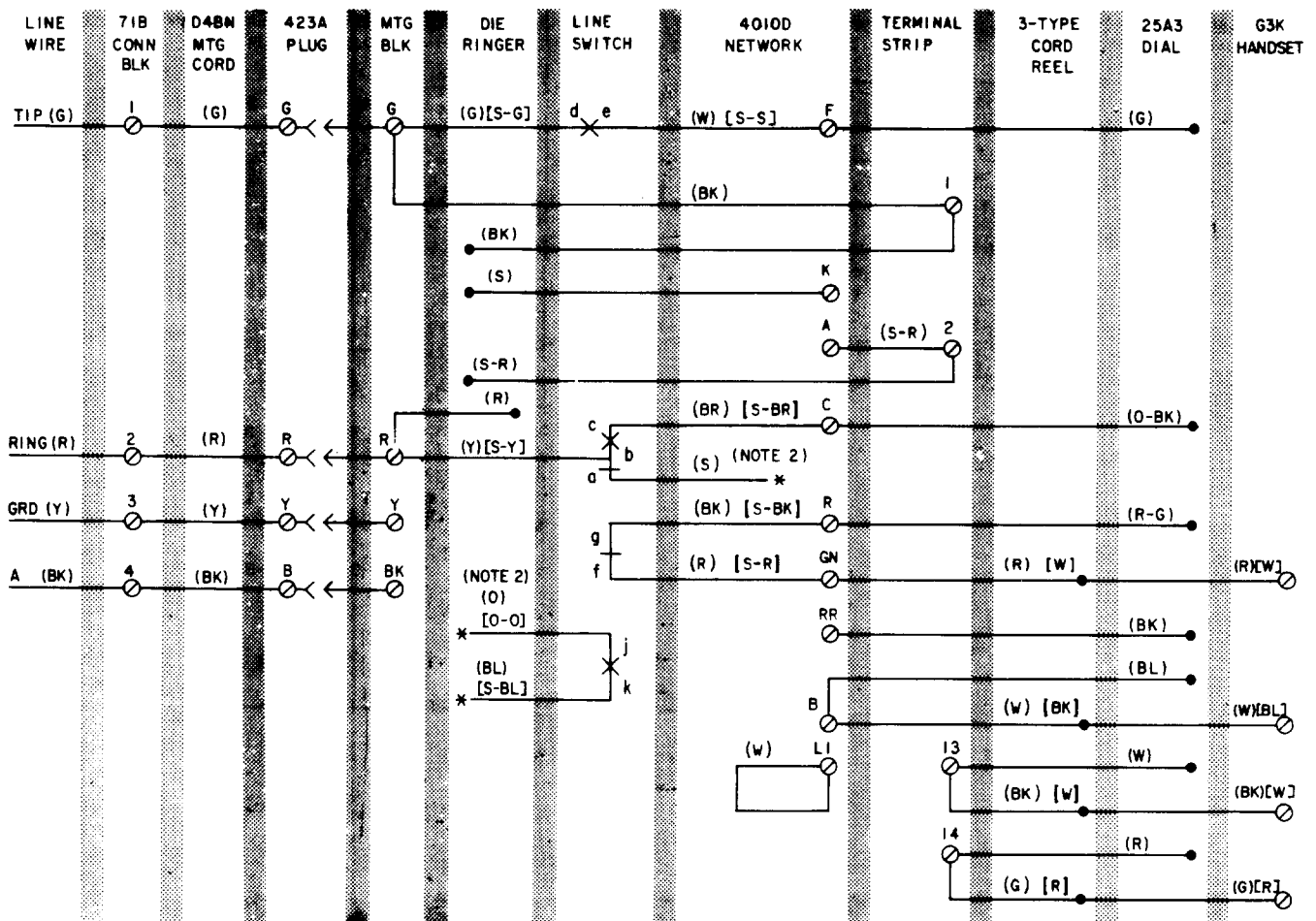
Note:

To silence ringer permanently when connected for:

- Individual, ring party, and tip party without identifying ground — remove (S-R) strap from A of network and connect to 2 of TBl.
- 1000Ω or 2650Ω GRD — remove (S) line switch lead from A of network and insulate and store.

() Current color code.

[] MD color code.



- NOTES:
1. WIRED FOR BRIDGED RINGING, REFER TO TABLE B FOR ALL OTHER CLASSES OF SERVICE.
 2. IN SETS OF EARLY MANUFACTURE, (S) LINE SWITCH LEAD WAS CONNECTED TO R AND (O) [O-O] TO BK OF P-44E055 MOUNTING BLOCK.

LINE SWITCH SEQUENCE:

- bc - MAKE
- de - MAKE
- ab - BREAK
- fg - BREAK
- jk - MAKE

* INSULATED AND STORED.

- () CURRENT COLOR CODE
- [] MD COLOR CODE

◆Fig. 2—1750A/B (MD) Telephone Set Connections With 25A3 (MD) Dial◆