

TELEPHONE SETS - 750A- AND 750B-TYPES
CONNECTIONS

TABLE A
LINE AND RINGER CONNECTIONS

Wire or Lead			Individual or Bridged	Ring Party	Tip Party	Tip Party With Ident Grd			
						Normal Connections		Ringer Reversal (See Note)	
						1000Ω	2650Ω	1000Ω	2650Ω
Line at Terminal Strip	Ring	R	2	2	1	1	1	1	1
	Tip	G	1	1	2	2	2	2	2
	Grd	Y	3 †	3	3	3	3	3	3
Ringer Lead At Terminal Board Assembly		R	R	R	R	R	R	S-R	S-R
		BK	BK	BK	BK	BK	BK	S-R	BK
		S	K*	K*	K*	B*	K*	BK	B*
		S-R	S-R	S-R	S-R	S-R	S-R	R	R
Terminal Board Strap At 283B Plug		R	R	R	R	K*	B*	K*	B*
		BK	GN	Y	Y	Y	B*	Y	K*
		S-R	A*	A*	A*	B*	Y	B*	Y
Switchhook Lead		S	R	R	R	A*	A*	A*	A*

*Terminal on network

†Ground may be omitted if not required for service.

Note 1: Use normal connections for tip party identification ground station. If bell taps on station connected to long-line equipment, reverse ringer leads as shown in this column to retain proper tip party identification.

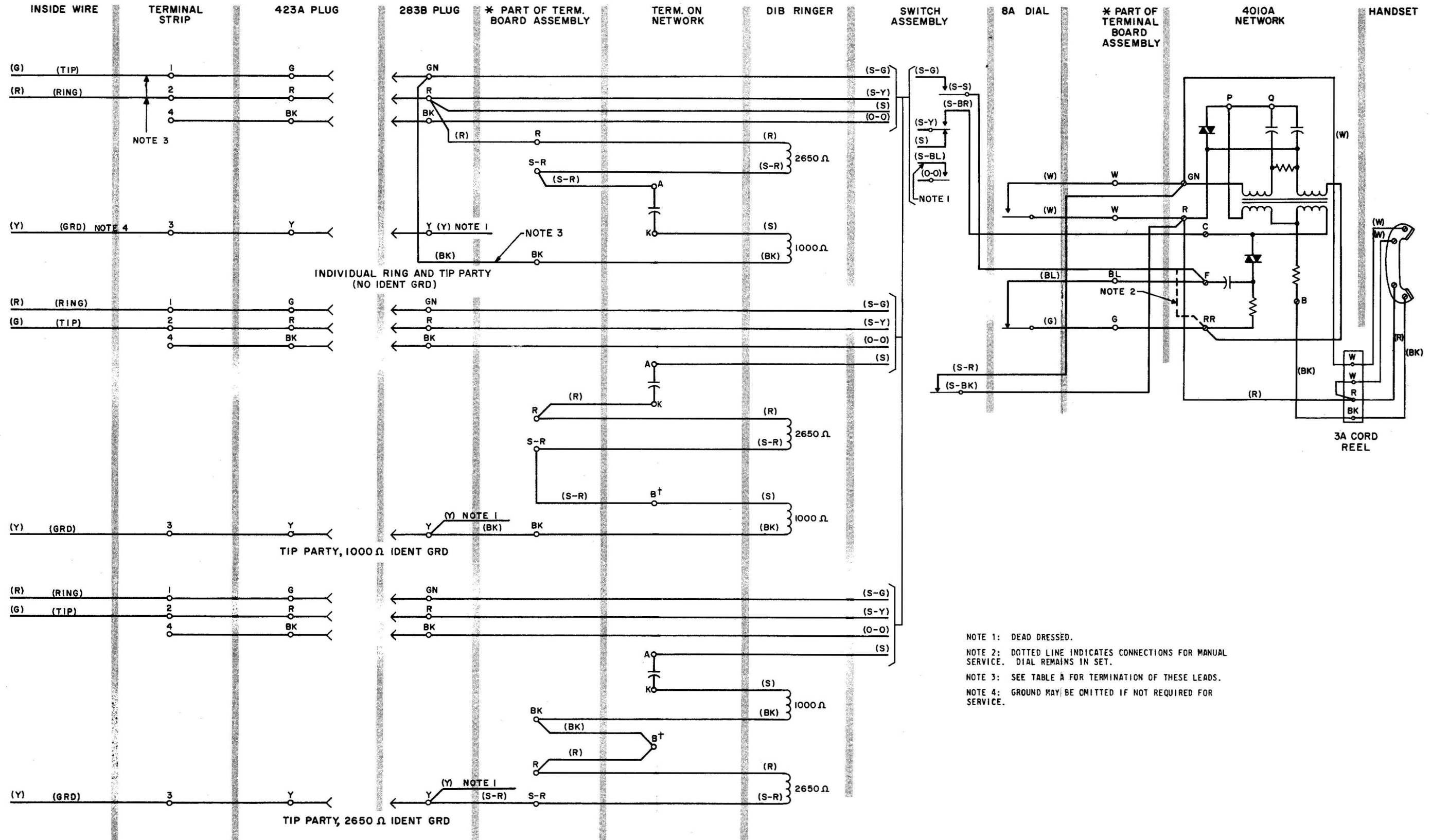
Note 2: Set is shop wired for individual or bridged service.

TABLE B
RINGER LEAD CONNECTIONS TO SILENCE RINGER PERMANENTLY

Connect black ringer lead to same terminal as red ringer lead for all classes of service except those listed below:

Tip Party Ident Grd	Ringer Lead				
	Ohms	Red	Blk	Slate	S-R
1000	R	BK	B	R	R
2650*	R	BK	K	S-R	S-R

*Move black ringer strap from B of network to K of network



† TERMINAL ON NETWORK

Fig. 1 - Telephone Sets - 750A and 750B Connections