

TELEPHONE SETS
751A AND 751B
CONNECTIONS

TABLE A
LINE CONNECTIONS

CIRCUIT	LEAD DESIG.	TB2 TERM.
1st CO Line	Tip Ring	2 1
2nd CO Line or Home Interphone Line	Tip Ring	5 4
Ground	Gnd	11
* Excluded Station	ET ER	10 9
Home Interphone Leads to 51A Control Unit	SW P4 P3 S2 DC S1 M1 M2	6 12 11 3 7 8 9 10
† Dial Light Transformer	Gnd +	11 12

*Not available when set is used on 1A Home Interphone.

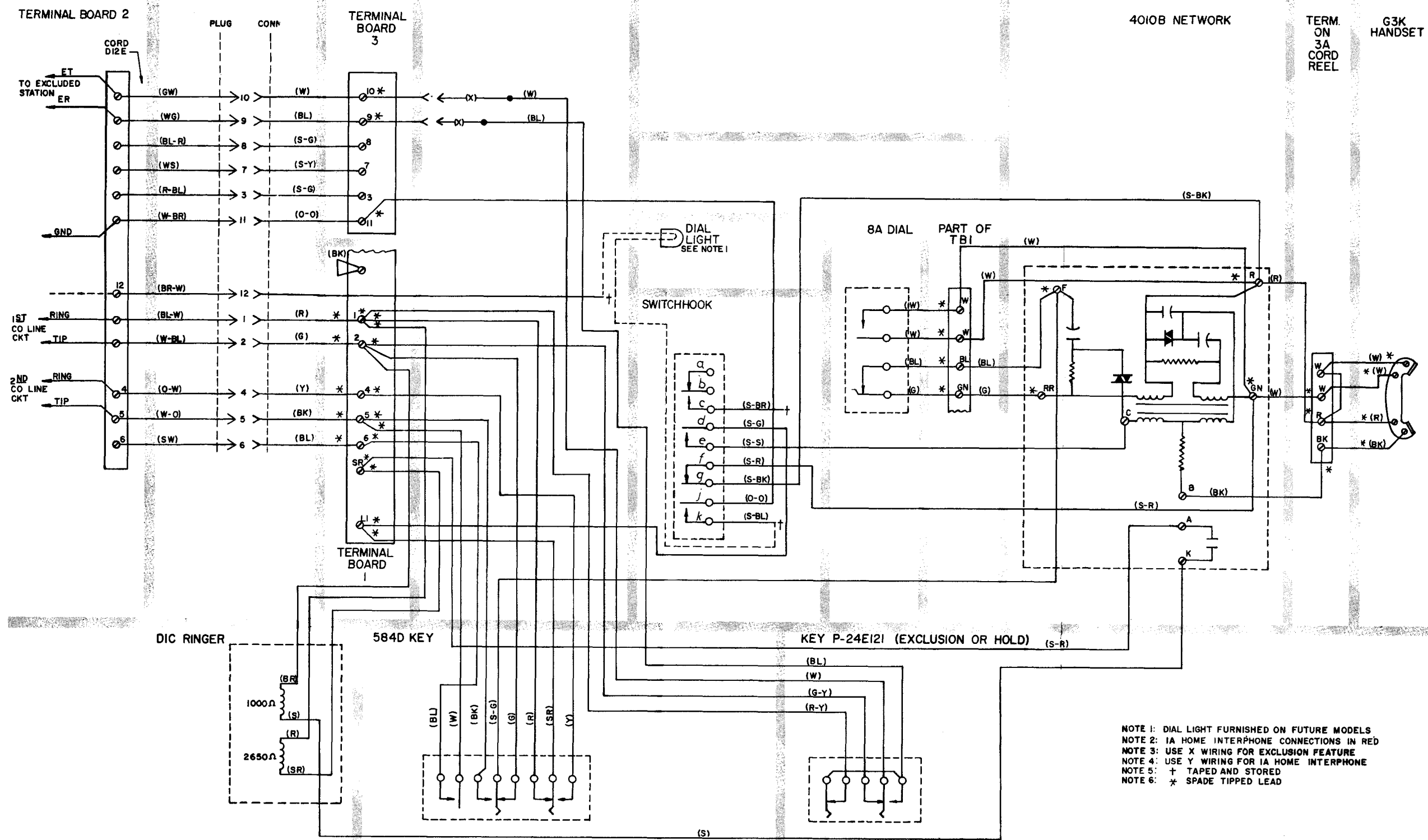
†Available on future models.

TABLE B
RINGER CONNECTIONS

LEAD	TIP PARTY WITH IDENTIFICATION GROUND													
	INDIVIDUAL OR BRIDGED See Note 1		RING PARTY See Note 1		TIP PARTY - NO IDENT GND See Note 1		NORMAL CONNECTION See Note 2				RINGER COIL REVERSAL See Note 2			
	Term. Bd Term.	Network Term.	Term. Bd Term.	Network Term.	Term. Bd Term.	Network Term.	Terminal On Terminal Bd		Terminal On Network		Terminal On Terminal Bd		Terminal On Network	
Ringer Lead or Strap							1000Ω	2650Ω	1000Ω	2650Ω	1000Ω	2650Ω	1000Ω	2650Ω
R →	1		1		2		SR	E2			E2	11		
SR →	SR		SR		SR		E2	11			E2	E2		
S →		K		K		K	E2	SR			11	E2		
BK →	2		11		11		11	E2			E2	SR		
Slate Swkh Lead →	E2		E2		E2				K	K			K	K
Slate Yellow Swkh Lead →	7		7		7		2	2			2	2		
Black Strap →	E2 ↔ E2		E2 ↔ E2		E2 ↔ E2		E2 ← → B				E2 ← → B			E2 ← → B

Note 1: To silence ringer permanently for all classes of service: (1) Connect ringer leads in normal manner for class of service involved. (2) Move spade tip of slate red lead from network Terminal A to SR terminal on terminal board.

Note 2: Do not wire this set for tip party identification when used as a station on 1A Home Interphone System.



- NOTE 1: DIAL LIGHT FURNISHED ON FUTURE MODELS
- NOTE 2: 1A HOME INTERPHONE CONNECTIONS IN RED
- NOTE 3: USE X WIRING FOR EXCLUSION FEATURE
- NOTE 4: USE Y WIRING FOR 1A HOME INTERPHONE
- NOTE 5: + TAPED AND STORED
- NOTE 6: * SPADE TIPPED LEAD

Fig. 1 - 751A and 751B Telephone Set, Connections