

D-180574 TELEPHONE SET

1. GENERAL

1.01 This section contains identification, installation, maintenance, and connection information for the D-180574 Coin Decorator telephone set (Fig. 1).

2. IDENTIFICATION

Design Features

2.01 The set is a modified 236G coin collector. The following items have been removed.

- Information card holders and apparatus blank.
- Gong signal and chute assembly
- 452B capacitor
- Coin chute stop
- Coin relay assembly
- Coin trap and associated parts
- 1A backplate
- Coin vault spring

2.02 The starwheels on rear of coin guide have been cut off to provide clearance for adding dummy chute (Fig. 2). Die cast webs across 5 and 10 cent guides have also been removed.

2.03 The handset with armored cord has been replaced with a G3A6-type handset with 6-foot retractable cord (Fig. 1).

2.04 The coin vane has been made stationary in the collect position by installing a No. 10 by 1-inch sheet metal screw through hopper (Fig. 3).

2.05 The KS-19277 lock has been made inoperative.

2.06 A D-180573 Kit of Parts completes the redesign of the set (Fig. 4) as follows:

- (a) The L-170394 plate replaces the coin chute.
- (b) An L-170397 wooden block (Fig. 3) prevents coins from falling into the return chute.
- (c) Dummy locks (840696942 and 840696959), which can be operated with a screwdriver or equivalent, are used in the upper housing and cash compartment door, respectively.
- (d) A No. 10-32 by 3-inch RHM screw, No. 10-32 hex nut, and two No. 10-32 elastic stop nut are used to mount the bell in the cash compartment.
- (e) A 9-inch long sash chain is used to anchor the cash compartment door to the set.

2.07 All coins deposited will fall directly into the cash compartment.

Markings

2.08 Markings 236G-3, 236G-51, or 236G-60 have been removed and D-180574 stamped in the same relative location. The letters CS, which indicate customer sales, have been stamped on the backplate adjacent to the vault area.

Ordering Information

2.09 Set, Telephone, D-180574 [Specify color; -03 (black), -51 (green), -60 (light beige)]

2.10 *Replaceable Components*

- (a) P-89E500* Lower Housing, consisting of:
 - P-15E011 bucket assembly

- 1A-type* coin collector door
 - 840696942 dummy lock
- (b) Modified P-89E000* Upper Housing, consisting of:
- 6C-3 or 6M-3 dial†
 - P-29E299 terminal plate assembly
 - 4010B network
 - P-29E302 connector assembly
 - P-12A674 plunger
 - P-16A760 hinge assembly
 - 840696959 dummy lock
- (c) P-89E100* Backplate Assembly, consisting of:
- P-29E307 ringer assembly
 - P-16A741 switchhook arm assembly
 - P-29E182 switchhook spring assembly
 - P-12E855 switchhook assembly or D-180009 switchhook kit
 - P-44E616 bracket and connector assembly
 - G3A6-type* handset

*The last two digits specify color suffix code used [-03 (black), -51 (green), or -60 (light beige)].

†The 6C-3 dial is used with a black set. The 6M-3 dial is used with a green or light beige set.

3. INSTALLATION

- 3.01** To install the set on a horizontal surface such as a table or counter top, use a 139A backboard.
- 3.02** To install the set on a wall, use a 174A backboard.
- Install backboard on a wall with top edge 63 inches from floor or at a height specified by the customer
 - Use hardware for securing backboard per Table A
- 3.03** Install set on backboard using a minimum of seven 1/4-20 by 5/8 RH machine screws (P-23F790).



Remove handset from switchhook before removing or replacing upper housing to avoid damage to the gate operating arm.

- 3.04** Connect Tip and Ring to set per Fig. 5.

4. MAINTENANCE

- 4.01** Observe READ after 3.03.
- 4.02** Perform maintenance on the decorator set in accordance with local procedures.

5. CONNECTIONS

- 5.01** Refer to Fig. 5 for complete connection diagram.

TABLE A
MOUNTING REQUIREMENTS FOR 174A BACKBOARD

MTG SURFACES	HOLE SIZE REQUIRED	FASTENERS	
		SIZE AND TYPE	MINIMUM QUANTITY
Soft Wood	1/8-in. or No. 30	1-3/4 in. No. 14 RH tapping or wood screw	8
Hard Wood		1-1/4 in. No. 14 RH tapping or wood screw	
Masonry*	1/2-in.	1/4-20 by 1-1/2 in. RH machine screw in 1/4 by 1-1/4 in. expansion shield	
Plaster Board and Plaster on Lath†	1/8-in. or No. 30	1-3/4 in. No. 14 RH tapping or wood screw; secure in a stud a minimum of 1 inch	7
Plaster on Cinder Block, Hollow Tile, Metal Lath	3/4-in.	1/4 by 4-inch RH toggle bolt‡	

▪ When mounting on plastered masonry, install expansion shield below plastered surface by amount equal to thickness of plaster and use 1/2-inch longer machine screw than specified in Table.

† When mounting on plasterboard, plaster on lath, etc, fasteners must be located in a stud and embedded at least 1 inch.

‡ When using toggle bolts, cut off excess length.

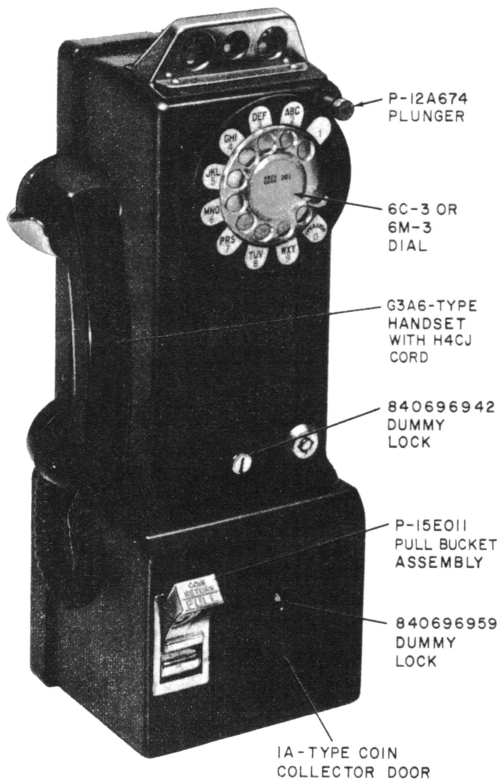


Fig. 1—D-180574 Coin Decorator Telephone Set

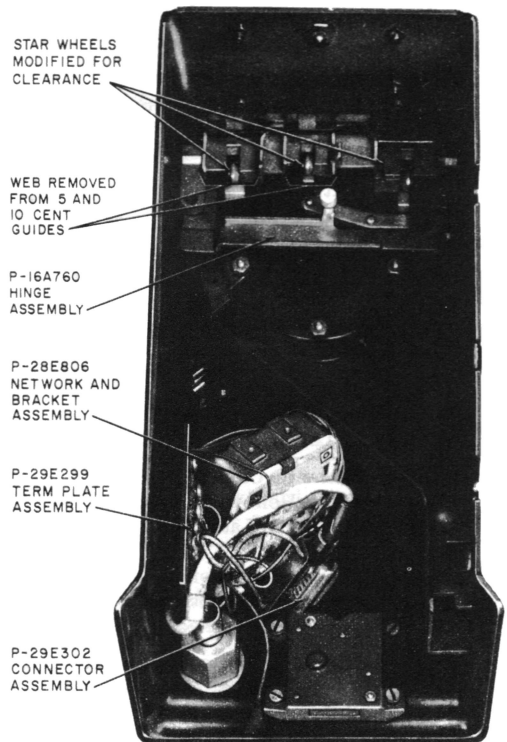


Fig. 2—Upper Housing With Gong Signal and Chute Assembly Removed

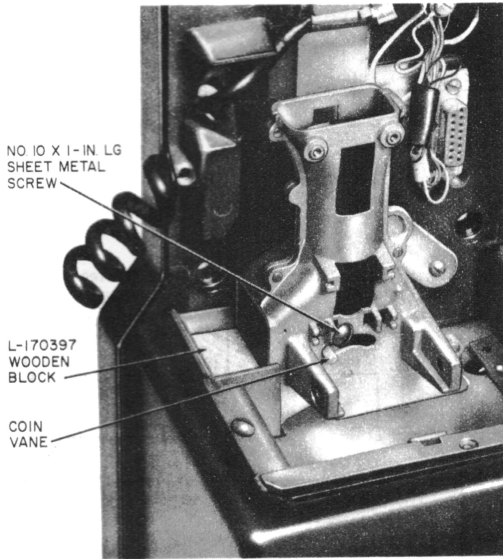


Fig. 3—Partial View of Lower Housing

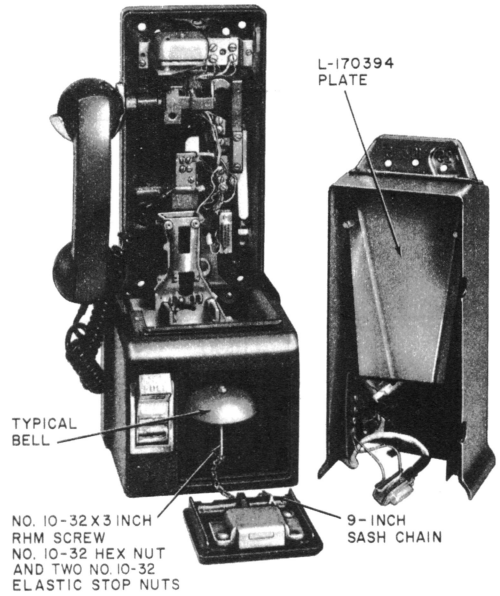


Fig. 4—Decorators Set Showing D-180573 Kit of Parts Installed

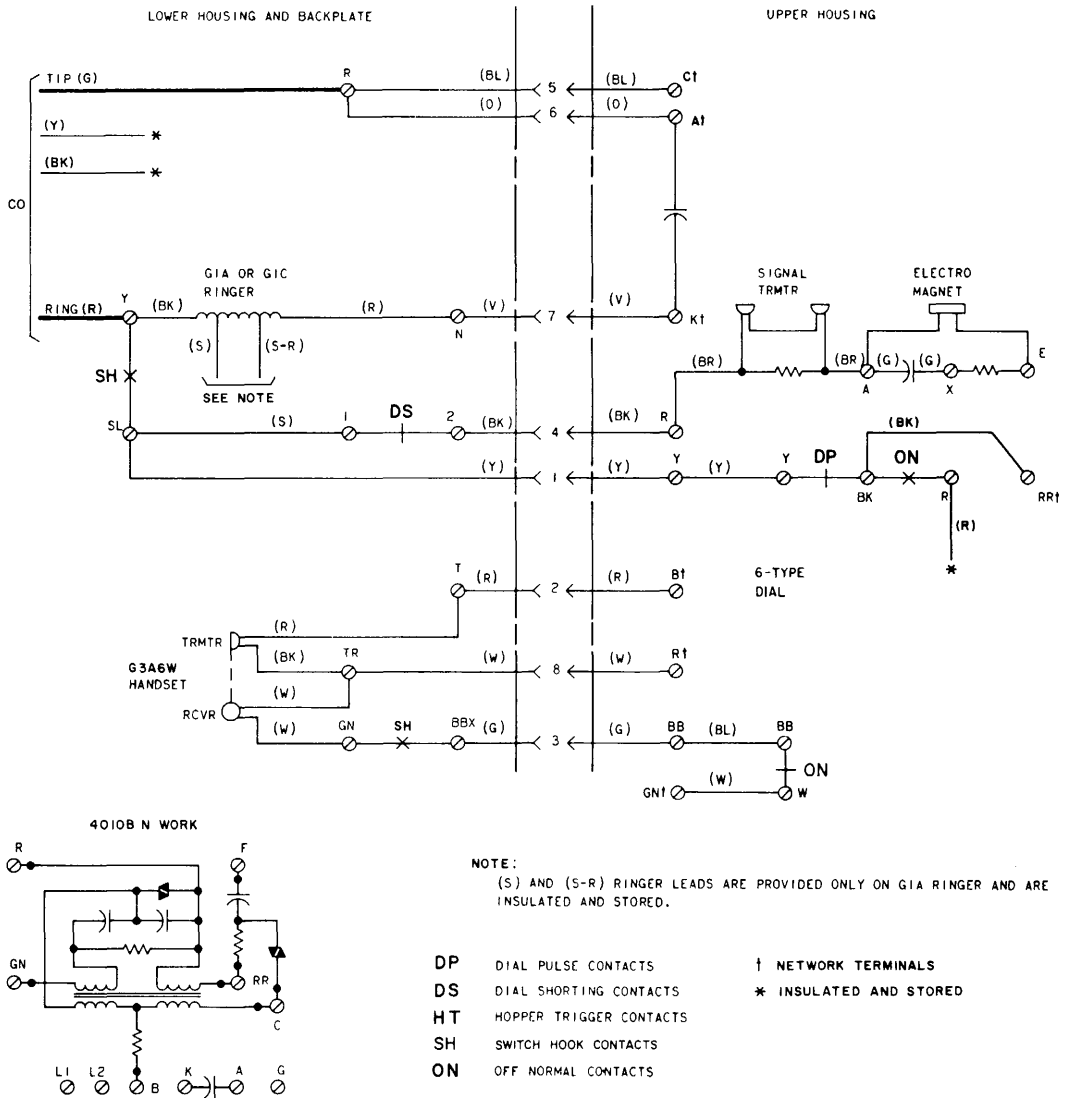


Fig. 5—D-180574 Coin Decorator Telephone Set—Connections