

**960A01M TOUCH-A-MATIC® 16 TELEPHONE SET**

**IDENTIFICATION, INSTALLATION, CONNECTIONS, OPERATION, AND MAINTENANCE**

CONTENTS	PAGE	CONTENTS	PAGE
1. GENERAL . . . . .	2	A. Record A Number Into Memory . . . . .	14
2. IDENTIFICATION . . . . .	2	B. Change A Number In Memory . . . . .	16
2.02 Design Features . . . . .	2	C. Delete A Number From Memory . . . . .	16
2.03 Optional Features . . . . .	2	D. Automatically Dial A Number From Memory . . . . .	16
2.05 Operating Features . . . . .	4	E. LAST NUMBER DIALED Feature . . . . .	16
2.06 Ordering Guide . . . . .	4	F. Access Code . . . . .	18
3. INSTALLATION . . . . .	5	G. Speakerphone Option . . . . .	19
Installation Check Procedures . . . . .	10	H. Multiline Service . . . . .	19
OPTIONAL APPARATUS INSTALLATION . . . . .	10	6. MAINTENANCE . . . . .	19
D-180812 Kit of Parts (Record Disable and Dial Intermix Features) . . . . .	10	A. Return Procedure . . . . .	19
COMPONENT LOCATION AND ACCESS INFORMATION . . . . .	11	B. Trouble Analysis . . . . .	19
A. Location of Components . . . . .	11	C. Battery . . . . .	19
B. Access of Components . . . . .	12	D. Memory . . . . .	20
Faceplate Removal . . . . .	12	E. 11E Dial . . . . .	20
Upper Housing Removal . . . . .	12	F. P1A Ringer . . . . .	21
Lower Housing Removal . . . . .	12	G. Handset Jack . . . . .	21
Power Supply Board (PSB) Terminals . . . . .	12	H. D-180837 Kit of Parts . . . . .	21
4. CONNECTIONS . . . . .	14	7. CONVERSION FROM DESK SET TO WALL SET . . . . .	22
5. OPERATION . . . . .	14	8. CORD DRESSING FOR OPTIONAL SERVICES (ADJUNCTS) . . . . .	23

**NOTICE**

Not for use or disclosure outside the  
Bell System except under written agreement

**1. GENERAL**

**1.01** This section contains information on the 960A01M telephone set. This set is shipped from the factory as a desk set (Fig. 1) and can easily be converted to a wall set with no additional parts required.

**1.02** This section is reissued to:

- Add information on D-180812 Kit of Parts
- Add information on D-180837 Kit of Parts
- Add information on D-180851 Kit of Parts
- Add 960B Memory
- Add new Fig. 7, 8, and 13
- Revise Fig. 1, 6, 15, 16, 17, 18, and 20
- Revise Tables B, C, and H
- Add new Tables D and E.
- Add 2012C and 2012D transformer
- Show 2012A and 2012B transformer MD
- Add 248B adapter
- Show 248A adapter MD

Since this reissue covers a general revision, arrows ordinarily used to indicate changes have been omitted.

**1.03** The 960A01M telephone set is a single line set and is factory-wired for bridged ringing. It can be wired to provide A-lead control for 1A1, 1A2, or 6A key telephone systems (KTS).

**1.04** The telephone set is available in Ivory (-50) only. For color selection of available faceplates, see Table A.

**2. IDENTIFICATION**

**2.01** The 960A01M telephone set provides the standard features of a single line set plus manual rotary dialing, automatic dialing of 15 frequently called or important numbers, and a LAST NUMBER DIALED scratch pad memory.

**2.02 Design Features:**

- Modular telephone set
- Integrated circuit memory
- Memory buttons from which to select preprogrammed telephone numbers for automatic dialing
- Capability to record and automatically dial 15 telephone numbers of up to 15 digits each
- Last number manually dialed Memory
- Battery for Memory retention in event of ac power outage
- Battery OFF-ON switch
- Supplementary directory
- Directory Privacy (hidden directory)
- Convertability from a desk set to a wall set.

**2.03 Optional Features (Refer to Table B):**

- Selective ringing
- Tip party with identification ground
- 4-party full selective or 8-party semiselective ringing using an 11-type extender, 426N diode, or 28A ringer isolator as a coupling device
- A-lead control for 1A1, 1A2, and 6A key telephone systems
- Speakerphone—either 3B (MD) or 4A speakerphone may be interfaced with the telephone set

**Note:** For use with a speakerphone, all dialing must be performed with the handset off-hook (paragraph 5.08). Speakerphone and tip party identification options cannot be provided at the same time.

- Multiline service—using adjunct key



Fig. 1—960A01M Telephone Set

**Note:** Replacing the handset each time a line is changed assures proper dialer operation (paragraph 5.09).

- 107-type loudspeaker set (SPOKESMAN® unit) may be interfaced with the telephone set (See Section 463-221-100)

- D-180812 Kit of Parts provides the following features.

(a) Record Disable Only—turns off the recording feature to prevent accidental erasures of previously stored numbers.

(b) Record Disable and Dial Intermix—same as record disable feature plus.

(1) Allows digits dialed from manual dial and from memory to be intermixed without having to depress the RECORD OFF button.

(2) Disables the LAST NUMBER DIALED feature.

- D-180837 Kit of Parts provides the following features.

**Note:** The following features are implemented by a key-lock switch located in lower housing.

(a) Record Disable Only—turns off the recording feature to prevent accidental erasures of previously stored numbers.

(b) Record Disable and Dial Intermix—same as record disable feature plus:

(1) Allows digits dialed from manual dial and from memory to be intermixed without having to depress the RECORD OFF button.

(2) Disables the LAST NUMBER DIALED feature.

(c) Record disable and manual dial lock-out.

(d) Kit of parts normally installed at the service center and is not recommended for field installation.

- D-180851 Kit of Parts provides the following features.

(a) Standard modular G-type handsets can be used with desk sets when modified with the D-180851 Kit of Parts. This kit consists of ivory colored transmitter and receiver caps used to replace the standard caps on the G-type handset. Modified G-type handsets can be used to provide the following features when the appropriate K-type handset is not available or is incompatible.

(1) Amplified receiver (G6BM).

(2) Amplified transmitter (G7BM).

(3) Noisy location (G8BM).

(4) Acoustic or inductive coupling to customer-provided equipment (G15A).

#### 2.04 All options are implemented by:

- Wiring changes in the telephone set
- Installation of appropriate additional items.

#### 2.05 Operating Features:

- Dial (Rotary), 11E
- 16-button memory field of low force, low travel nonlocking buttons arranged in two columns; one along the left-hand edge of the memory and the second along the

right-hand edge. Each column has eight memory buttons plus a ninth button (bottom button) for the record function

- LAST NUMBER DIALED button (the next to the bottom button in the right-hand column of nine buttons) when momentarily depressed, with the handset off-hook, initiates automatic redialing of the last number manually dialed
- RECORD button (the bottom button in the left-hand column of nine buttons) is nonlocking and when momentarily depressed, lights the RECORD lamp and enables the memory circuits to store manually dialed telephone numbers
- RECORD OFF button (the bottom button in the right-hand column of nine buttons) is nonlocking and when momentarily depressed, extinguishes the RECORD lamp indicating that the dialer is switched out of the record mode
- Battery OFF-ON switch (located on the bottom of the set, Fig. 2), should be in the OFF position when set is not in service.

#### 2.06 Ordering Guide:

(a) The 960A01M telephone set is a modular type set and may be ordered as follows:

- Set, Telephone, 960A01M-50

This includes:

(1) Adapter, 248A (MD) or 248B (to connect D4BU modular mounting cord to 2012B (MD) or 2012D transformer) Fig. 2.

(2) Plug, 523B4, (used when converting from a desk set to a wall set) Fig. 12.

(3) Cord, Handset, H4DU-50.

(4) All components listed in (c) Replaceable Components except faceplate and D4BU-29 cords.

(b) **Ordered separately:**

TABLE A

## FACEPLATE ORDERING GUIDE (See Note)

CODE	COLOR
60A-100	Avocado
60A-108	Teak
60A-109	Walnut
60A-111	Gold
60A-112	Orange
60A-113	Brown
60A-114	Red
60A-115	Blue
60A-118	Black

**Note:** A display package containing all 9 color faceplates can be ordered as a D-180667 Kit of Parts. This package is intended for use as an aid to permit selection of color on subscribers premises. Cardboard insert shipped with set is discarded at time of installation.

- Transformer, 2012B (MD) or 2012D (required to provide ac power for operation of the automatic dialer)

**Note:** A 2012A (MD) or 2012C transformer shall not be substituted for a 2012B or 2012D as proper operation can not be assured.

- Clamp, 2A (used to secure 2012B or 2012D transformer to outlet)
- Faceplate, 60A-\* (See Table A)
- Cord, Mounting, D4BU-29
- Cord, Mounting, D4BU-29 (power cord, maximum 14 feet)
- Cord Clips B (for dressing cords as needed).

(c) **Replaceable components which may be ordered separately as follows:**

- Lower Housing Assembly, 60AL-50
- Upper Housing Assembly, 60AU-50
- Faceplate, 60A-\* (See Table A)
- Handset, K1C
- Cord, Handset, H4DU-50
- Cord, Mounting, D4BU-29
- Cord, Mounting, D4BU-29 (power cord, maximum 14 feet)
- Jack, Handset, 616J
- Battery, KS-20390L5
- Ringer, P1A
- Dial, 11E
- Memory, 960-type (includes button field)
- 841382245 Cover Assembly
- 841382146 Directory Sheet Set (includes four directory sheets and one sheet of color dots)
- 812558039 (P-25E803) Station Number Card Retainer
- 841381098 Handset Hook
- 841388713 Shield (Fig. 4)
- Subscriber Instruction Booklet (SIB-2480C).

(d) **Optional apparatus:**

- See Table B for apparatus required.

3. **INSTALLATION**

**Danger:** For safety, securely attach retaining clamp to ac outlet using

\*Add appropriate color suffix per Table A.

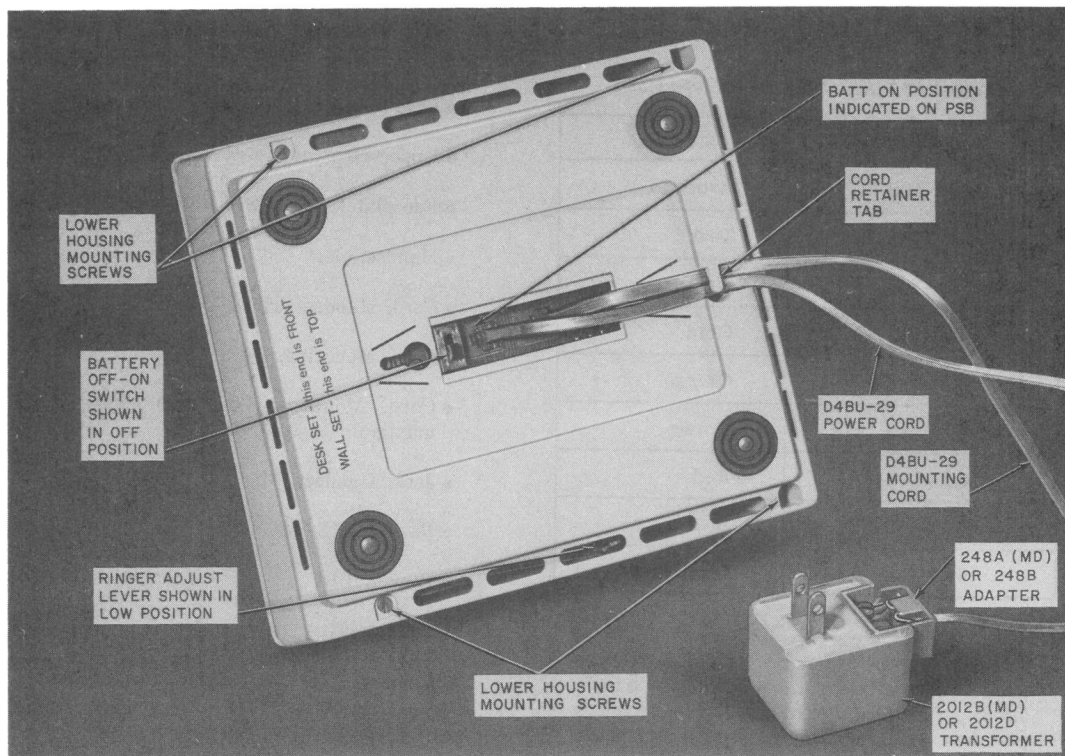


Fig. 2—960A01M Telephone Set, Bottom View

outlet cover screw **BEFORE** attempting to install 2012B (MD) or 2012D transformer. The transformer and any other cord plugged into the ac outlet should always be unplugged completely from outlet **BEFORE** attempting to attach or remove the clamp. This will prevent the possibility of a loosened retainer clamp or metallic outlet making contact with the ac prongs on the transformer when partially withdrawn from outlet. Do not use retaining clamp on outlets where cover mounting screw holds the duplex outlet in the box.

**Warning:** Care should be taken to trim and dress leads connecting to low voltage output terminals of 2012B

(MD) or 2012D transformer to assure that inadvertent connection to conducting surfaces or other power source does not occur. If more than one transformer is plugged into a multiple receptacle power strip, there must be at least one inch separation between transformers. Only UL listed receptacle power strips with adequate power rating shall be used. Use of a continuous terminal power strip that allows the secondary output terminals of the transformer to be in close proximity to the ac line source is not recommended.

3.01 Terminate the local loop into a jack or connecting block suitable for the D4BU-29 mounting cord. If this is to be a wall set installation,

**TABLE B**  
**OPTIONS**

OPTION		ADDITIONAL ITEMS REQUIRED		CONNECTION PER	
				FIG.	TABLE
Selective Ringing†					C
Tip Party Identification					C
A-Lead Control					C
Conversion to Wall Mounted Telephone Set		523B4 Plug‡		12 & 16B	
		630A4 Connecting Block			
Speakerphone	3B (MD)	760A (MD) Loudspeaker		17	F
		666B (MD) Transmitter		17	F
		Control Unit (MD)	55A*	17	F
			55B	17	F
		2012B (MD) or 2012D Transformer		17	F
		D6AD-87 Cord		17	F
	4A	108AA Loudspeaker		18	G
		680AE Transmitter		18	G
		223D Adapter		18	G
		85B1 Power Unit		18	G
Multiline Service		6040/6050-Type Key and Interface Cord (min. of 6 conductors)		19	
Record Disable Only		D-180812 Kit of Parts (See Note)		7, 8, & 13	D
Record Disable and Dial Intermix					
Amplifier-Type Handset		G6BM, G7BM, or G8BM Handset and D-180851 Kit of Parts			
Acoustic or Inductive Coupling to Customer-Provided Equipment		G15A Handset and D-180851 Kit of Parts			
Record Disable Only		D-180837 Kit of Parts (See Note)			E
Record Disable and Dial Intermix					
Record Disable and Manual Dial Lock-Out					

\*Modified by Western Electric Co. to conform to 55B control unit circuitry.

†For selective ringing with superimposed ringing current, refer to Note 1 of Table C.

‡Provided with initial production sets.

**Note:** Telephone set must be equipped with a 960B Memory when these kits are used.

terminate loop into a 630A4 connecting block and refer to Part 7 of this section for conversion of set. For standard desk set installation, terminate loop into 625-type connecting block.

**Note:** For information on modular connecting blocks or adapters, refer to Section 503-100-100.

**3.02** Lay shield aside and make all wiring changes and telephone set modifications (Table B) before external connections are made to the set (paragraph 4.01). Remove upper housing (paragraph 3.16), if necessary, for set modification.

**Caution:** *Protection of the integrated circuits from static discharge depends on the black (BK) lead from the shield being connected to earth ground. Factory-wired sets depend on the yellow (Y) lead of the 625- or 630-type connecting block being connected to earth ground. In wiring options, care should be taken that the black (BK) lead from the shield remains connected to earth ground.*

**3.03** Replace upper housing and install faceplate of subscriber's choice, (see note, Table A).

**3.04** Attach 248A or 248B adapter to 2012B or 2012D transformer (Fig. 2) and plug into 110-117 volt ac outlet not controlled by a switch (continuous ac power is required). Plug one end of the D4BU-29 power cord (maximum 14 feet) into the power jack on the bottom of the set (Fig. 15C) and the other end into the 248A or 248B adapter.

**Note:** The 2012B or 2012D transformer must be located no closer than 1-1/2 feet from the telephone set in order to avoid a potential noise condition.

**3.05** The transformer may also be placed at a remote location with D-station or inside wire as all or part of the connection. (See Fig. 15C for the wiring options and the maximum conductor lengths). **The transformer should not be used for furnishing power to anything other than this set, i.e., dial/night light power to another set, etc.**

**Caution:** *The ac power to the 960A01M telephone set shall not be provided*

**over the BK and Y conductors of the modules mounting cord used for connecting to the line since these leads may be grounded for some applications and neither ac power lead may be connected to earth ground.**

**3.06** The set is shipped from the factory with the battery switch in the OFF position. After all wiring changes and modifications have been completed, tilt the set up and move the battery switch arm (now visible in the bottom view of the set, Fig. 2) to the ON position.

**Note:** The switch ON position is indicated on the bottom of the printed wiring board (Fig. 2), and if switch is not placed in ON position, the set will not record or automatically dial.

**3.07** For desk installation, plug mounting cord into phone jack on bottom of set and into 625-type connecting block. (For wall installation, refer to Part 7.)

**Note:** Dress all cords under retainer tab at bottom rear of housing, Fig. 2.

**Caution:** *Stapling of the D4BU-29 cords can break the conductors. Use a B-cord clip for dressing.*

**3.08** The side of a directory card labeled LAST NUMBER DIALED is installed by sliding the card between the underneath side of the cover (window) and the card retainer strip as shown in Fig. 3A.

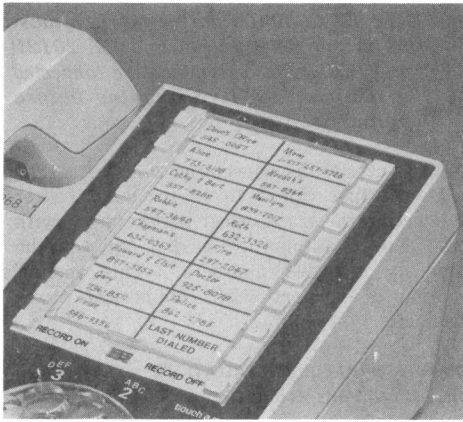
**3.09** A second card with the supplementary directory card side up is placed under the retainer tabs and positioned on the top surface of the memory frame as shown in Fig. 3B.

**3.10** When the subscriber does not want the directory prominently displayed, the directory privacy option is used as follows.

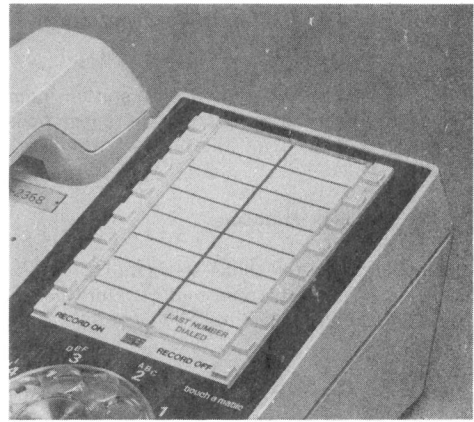
(a) A blank directory card, with the side labeled LAST NUMBER DIALED up, is installed per paragraph 3.08 (Fig. 3C).

(b) The actual directory card, with the side labeled LAST NUMBER DIALED up, is placed under the retainer tabs and positioned

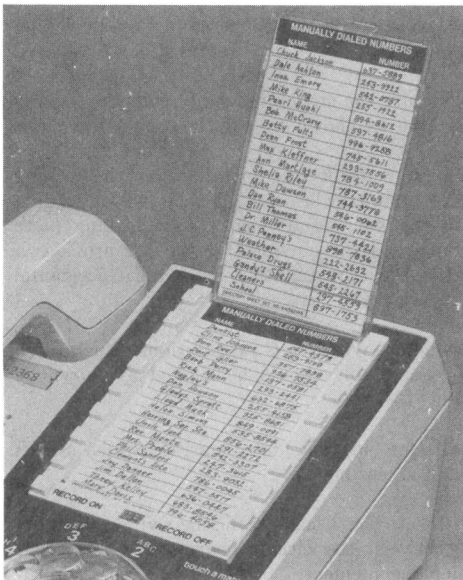




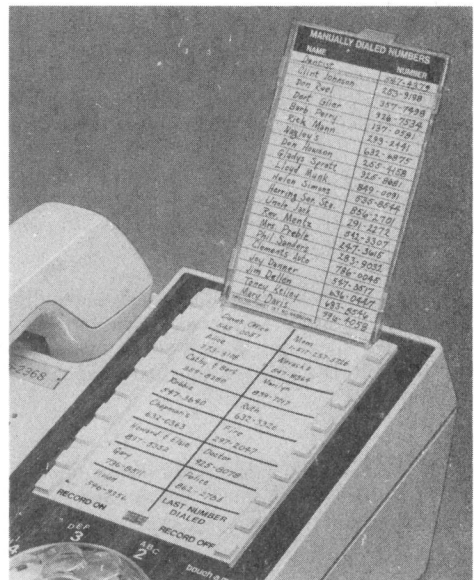
A. DIRECTORY DISPLAYED (WINDOW CLOSED)



C. DIRECTORY PRIVACY (WINDOW CLOSED)



B. DIRECTORY DISPLAYED (WINDOW OPEN)



D. DIRECTORY PRIVACY (WINDOW OPEN)

Fig. 3—Optional Methods of Installing Directory Cards

on the top surface of the memory frame (Fig. 3D).

- 3.11 The 812558039 (P-25E803) station number card retainer snaps into the upper housing just below the well for the handset receiver.

#### Installation Check Procedure

- 3.12 Check the telephone set installation per the following tests (refer to Part 5 for Operation). In case of failure, refer to Trouble Analysis, Table H.

- (1) Disconnect the 2012B or 2012D transformer from ac power and manually dial the appropriate code for ring-back to test the ringer and to check that the basic telephone operates properly in the absence of commercial power.
- (2) Reconnect the 2012B or 2012D transformer to ac outlet.
- (3) With the handset on-hook, record a known telephone number into all memory locations except LAST NUMBER DIALED and the button immediately above [paragraph 5.01 (4) through (7)].
- (4) Automatically dial the numbers recorded in Step (3) and verify that they are correct (paragraph 5.04).
- (5) Go off-hook and simultaneously manually dial and record a known telephone number into memory location immediately above LAST NUMBER DIALED button [paragraph 5.01 (4) through (7)].
- (6) Momentarily hang up and then automatically dial from the memory used in Step (5). This verifies that the number was recorded properly.
- (7) Go off-hook and manually dial a known telephone number.
- (8) Momentarily hang up handset and depress the LAST NUMBER DIALED button. The number automatically dialed should be the same as the number in Step (7).



**The KS-20390L5 battery switch must be in the ON position and the 2012B or 2012D transformer must be connected a minimum of five minutes before doing Step (9).**

- (9) Momentarily disconnect the 2012B or 2012D transformer (for 5 to 10 seconds). After reconnecting the transformer and securing with a 2A clamp, automatically dial any of the previously recorded numbers. This verifies retention of memory with commercial power disconnect.

#### OPTIONAL APPARATUS INSTALLATION

##### D-180812 Kit of Parts Record Disable and Dial Intermix Features)

- 3.13 Install the D-180812 Kit of Parts (Fig. 7) as follows.
- (1) Remove lower housing (paragraph 3.17).
  - (2) Position the switch assembly as shown by Fig. 13.
  - (3) Secure the switch assembly with the locking plate as shown by Fig. 8A and 8B.
    - (a) For **desk set** installations, the locking plate may be oriented either way according to customer preference. With locking plate flange on the outside (Fig. 8B), it provides a more secure installation in regards to accidental operation of switch.
    - (b) For **wall set** installations, the switch assembly should be located as shown by Fig. 13.
      - Locate locking plate per Fig. 8A so switch is accessible.
  - (4) Insert the 3 leads from the switch assembly between the circuit board and the chassis under the memory.
  - (5) Replace the lower housing and place the set upright.
  - (6) Remove faceplate (paragraph 3.15).
  - (7) Disengage the four captive memory mounting screws (Fig. 4)

- (8) Rotate the right edge of the memory upward (Fig. 6) and connect the three leads to the terminal posts on the 960B memory per Table D.

**Note:** If set is equipped with a 960A Memory, replace it with a 960B Memory and carefully pack and return the old memory according to local procedures.

- (9) With feature switch in OFF position, verify that set operates in normal manner:

- Numbers can be recorded into memory
- Numbers can be changed
- Numbers can be deleted from memory
- Manual dialed numbers are automatically entered into LAST NUMBER DIALED position.

- (10) Set switch to ON position and verify feature provided.

- Record disable feature, only.
  - (a) RECORD lamp will not light when RECORD button is depressed.
  - (b) No telephone numbers can be recorded, changed, or deleted from memory.
  - (c) LAST NUMBER DIALED feature is operative.
- Record disable and dial intermix features.
  - (a) RECORD lamp will not light when RECORD button is depressed.
  - (b) No telephone numbers can be recorded, changed, or deleted from memory.
  - (c) LAST NUMBER DIALED feature is disabled.
  - (d) Manually and automatically dialed digits may be intermixed.

- (11) Reassemble set.



**For completed memory security, the switch assembly may be installed through the housing from below, with the switch inside the housing. This type installation would make it necessary to remove the housing to make any changes in memory, or features provided, and is not recommended.**

## COMPONENT LOCATION AND ACCESS INFORMATION

### A. Location of Components

#### 3.14 The components are located as follows.

- **Faceplate**—held in place by three tabs which align with mating slots in the upper housing cutout and is positioned over the dial and memory with appropriate holes that align with the dial and memory assembly (Fig. 1).
- **Shield**—underneath faceplate and is positioned over the dial and Memory (Fig. 4).
- **Battery**—snaps into a cavity from the top side in the left front corner of the chassis (Fig. 5).
- **Battery Switch**—soldered to power supply printed wiring board with switch arm accessible at bottom of set through opening near center of lower housing (Fig. 2).
- **Ringer**—fastened by two screws to bosses on the bottom of the chassis (Fig. 9A) and rests in a cavity just to the rear of the battery cavity (Fig. 5).
- **Handset Jack**—slides into a cavity on the top left side wall of the chassis adjacent to the ringer and battery (Fig. 5).
- **Switchhook Assembly**—soldered to power supply printed wiring board and located at left-rear corner of power supply board (PSB) (Fig. 5).
- **Rotary Dial**—fastened by two screws and located on the top side at right-front corner of the chassis (Fig. 4).

- **Memory**—fastened by four screws and located just to the rear of the dial on the top right side of the chassis (Fig. 4).
- **Network**—electronic components soldered to power supply printed wiring board replace the conventional network.
- **Power Supply Printed Wiring Board Assembly**—fastened by six screws to bosses on the bottom of the chassis (Fig. 9).
- **Power Supply Printed Wiring Board Screw Terminal Areas**—(Fig. 5 and 6).
- **Mounting Cord and Power Cord Jacks**—slide into adjacent cavities on the bottom side of the center wall of the chassis. Jacks are held in place when power supply board is fastened to bottom of chassis and are accessible through holes in the lower housing and power supply board (Fig. 2 and 9).
- **Lower Housing**—fastened by four screws to the bottom of the chassis (Fig. 2).
- **Upper Housing**—fastened by four screws to the top side of the chassis (Fig. 4).
- **Chassis**—main structural member to which other component assemblies are fastened, including the upper and lower housings (Fig. 5 and 9).

## B. Access of Components

### Faceplate Removal

**3.15** The faceplate has one tab at the top center and two tabs near the bottom corners. To remove, gently bow the upper housing wall away from the top tab and pull up to free the faceplate tab. This can be done by using the thumbnail of one hand on the housing and a fingernail of the other hand on the faceplate. Then slide the faceplate slightly upward to free the two bottom tabs and remove the faceplate. To reinsert the faceplate, slide the two bottom tabs into mating slots in the upper housing, lower the faceplate on to the top edge of the housing cutout and gently bow the upper housing wall away from the top tab of the faceplate. Push down top of faceplate and release housing.

### Upper Housing Removal

**3.16** To remove the upper housing, proceed as follows.

- (1) Unplug the modular handset cord at the telephone set end and remove handset.
- (2) Remove the faceplate (paragraph 3.15) and place the shield aside (Fig. 4).

**Caution:** Use extreme care when handling shield. Do not bend shield or break solder connection on attached lead.

- (3) Remove the station number card retainer and station number card.
- (4) Disengage the four captive upper housing screws (Fig. 4).
- (5) Remove the upper housing by slipping the shield through the faceplate cutout.
- (6) To replace the upper housing, reverse the procedure.

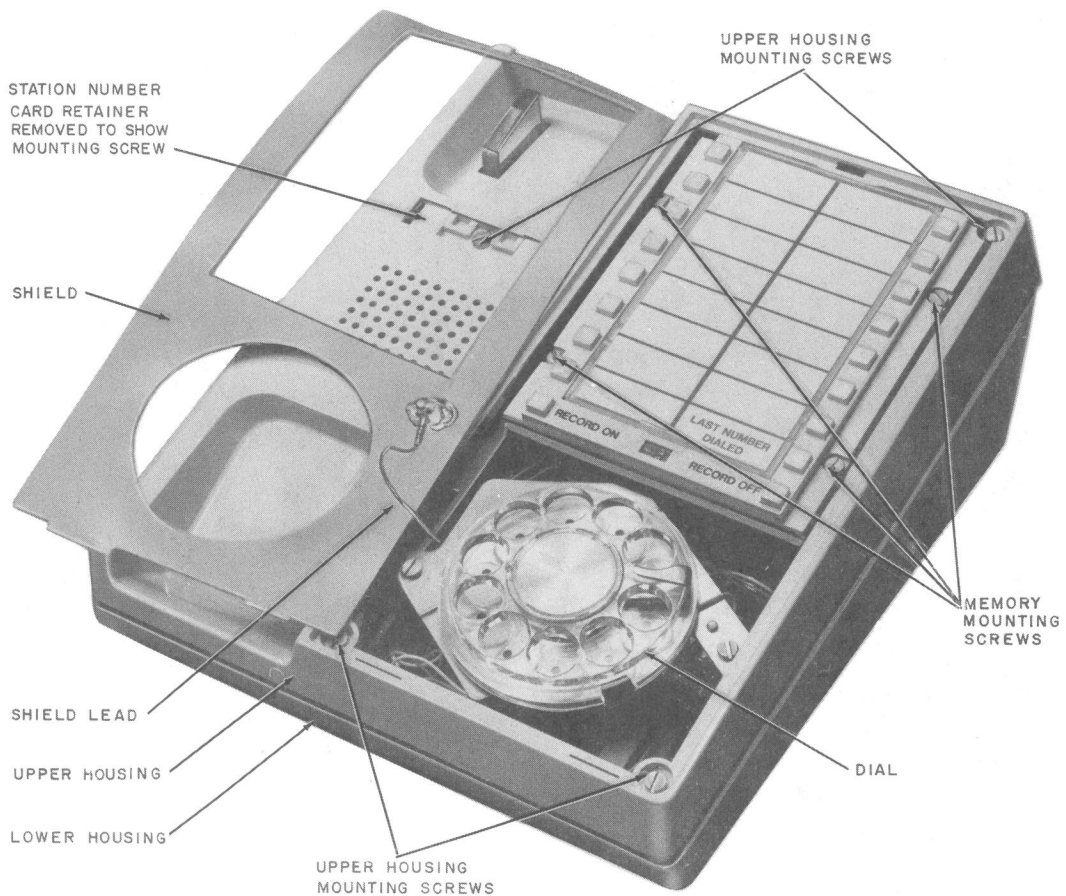
### Lower Housing Removal

**3.17** To remove the lower housing proceed as follows.

- (1) Remove the modular mounting and power cords from under the retainer tab and unplug cords from jacks in the bottom of the telephone set (Fig. 2).
- (2) Disengage the four captive screws located at the corners of the lower housing on the bottom of the telephone set (Fig. 2).
- (3) Remove the lower housing.
- (4) To replace the lower housing, reverse the procedure.

### Power Supply Board (PSB) Terminals

**3.18** To access the screw terminals 1 through 13 (under the dial) on the power supply board, proceed as follows.



**Fig. 4—960A01M Telephone Set With Handset and Faceplate Removed, and Shield Laid Aside**

- (1) Remove the faceplate (paragraph 3.15) and place the shield aside.
  - (2) Disengage the two captive screws that hold the dial in place.
  - (3) Remove the dial and place on the Memory as in Fig. 10.
  - (4) To reassemble, reverse the procedure.
- 3.19** To access screw terminals 14 through 21 (under the battery) on the power supply board, proceed as follows.
- (1) Remove the upper housing (paragraph 3.16).
  - (2) Gently push back on the battery retainer catch and swing the rear edge of the battery upward to release the battery.
  - (3) Carefully lift the battery from its cavity and lay aside.

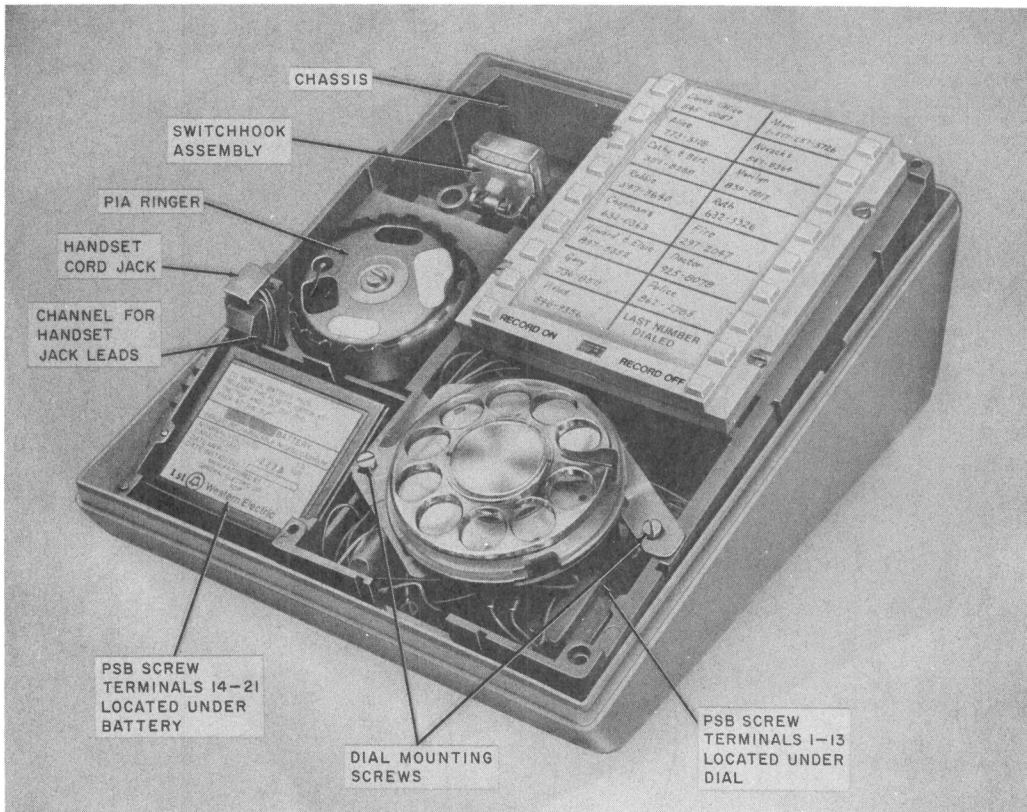


Fig. 5—960A01M Telephone Set With Handset, Faceplate, Shield, and Upper Housing Removed

- (4) To reassemble, reverse the procedure.

**Note:** To reinsert battery position lower edge first and then push top of battery under retainer catch.

#### 4. CONNECTIONS

- 4.01 Telephone set connections are shown in Fig. 15.
- 4.02 Refer to Table B for connection information for all options.
- 4.03 A partial functional schematic is shown on Fig. 20.

#### 5. OPERATION

**Note:** If the telephone set is used behind a PBX, etc., where an access code is required, refer to paragraph 5.06.

##### A. Record A Number Into Memory

##### 5.01 To record.

- (1) Remove the directory sheet (Fig. 1).
- (2) Write or type (using light pressure) the desired name and telephone number for a selected memory button on the associated position of the directory sheet.

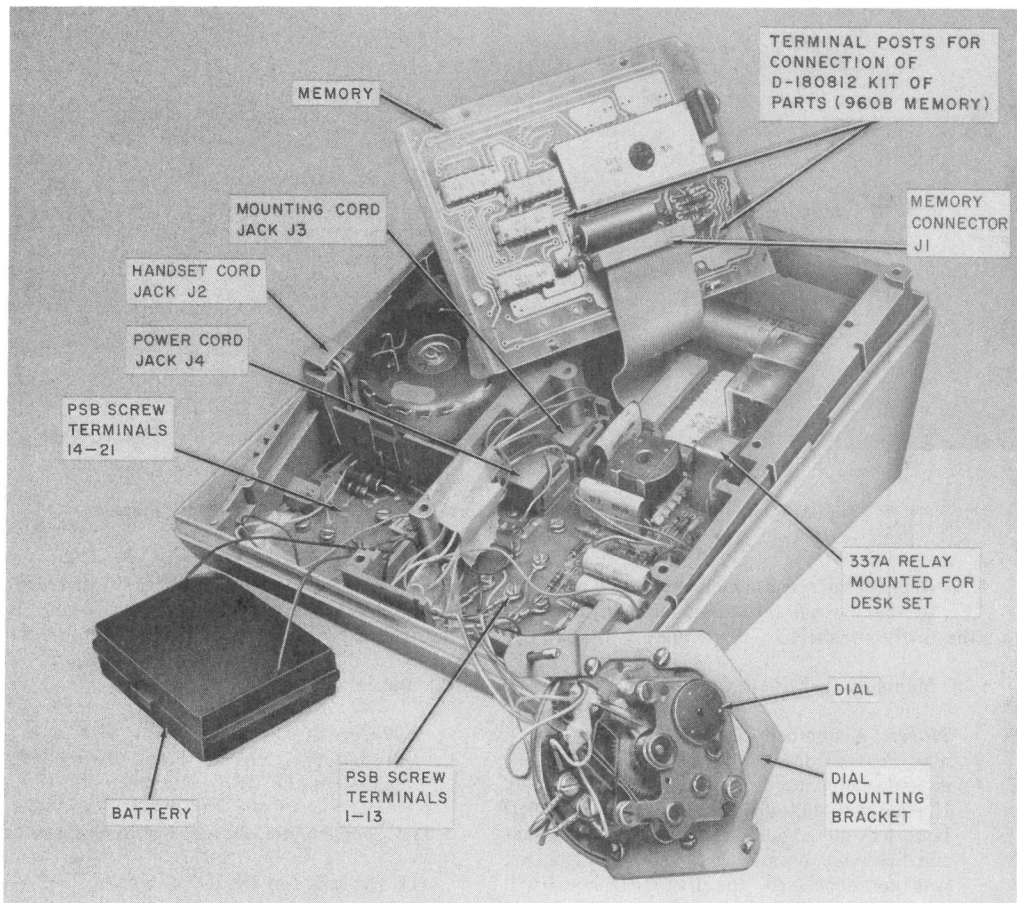


Fig. 6—960A01M Chassis and Lower Housing With Dial, Memory, and Battery Laid Aside, and Shield Removed

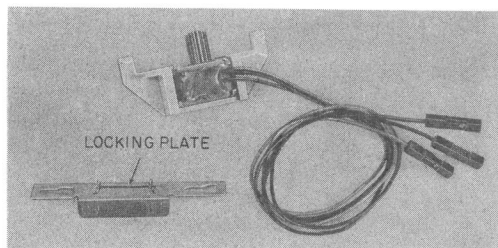


Fig. 7—D-180812 Kit of Parts

- (3) Replace the directory sheet.
- (4) Depress the RECORD button. The RECORD lamp adjacent to the RECORD button will light. (A number can be called and recorded simultaneously by lifting handset before depressing the RECORD button.)

**Note:** If set is equipped with the D-180812 of D-180837 Kit of Parts, switch must be placed in the OFF position.

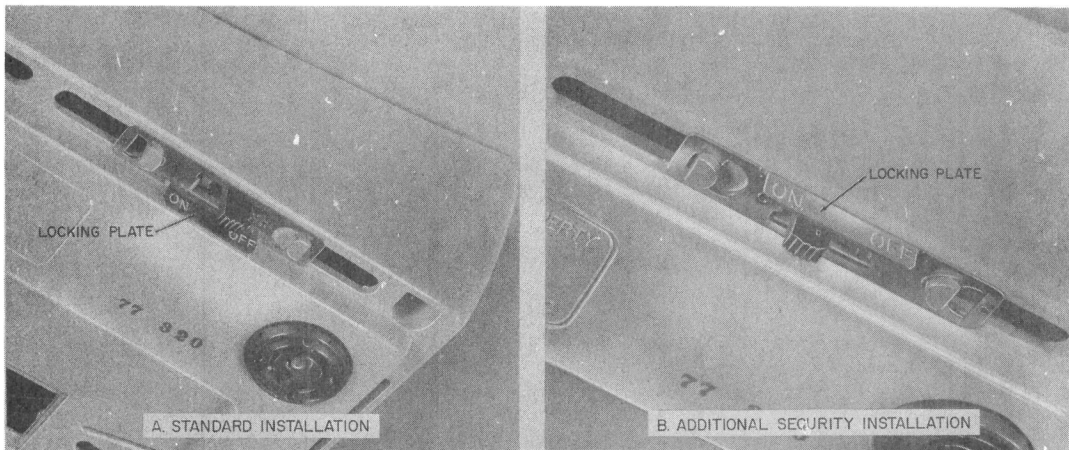


Fig. 8—Optional Methods of Installing Locking Plate of D-180812 Kit of Parts

(5) Depress the specific memory button adjacent to the desired telephone number listed on the directory sheet.

(6) Manually dial the desired telephone number.

**Note:** A number up to 15 digits in length may be recorded. The RECORD lamp will go out momentarily as each digit is dialed. If exactly 15 digits are recorded, the RECORD lamp will go out and stay out, indicating that the dialer has been reset. If a memory button was not depressed, the RECORD lamp will go out when the first digit is dialed and recording operation will be voided.

(7) Depress the RECORD OFF button if less than 15 digits are recorded. The RECORD lamp will go out. The dialer will be reset. The number is now stored in the selected memory. The dialer can also be reset by a switchhook operation.

#### B. Change A Number In Memory

**Note:** If set is equipped with a D-180812 or D-180837 Kit of Parts, switch must be in OFF position.

5.02 Whenever a new number is recorded, in a previously used memory position, it will automatically replace the previously stored number.

#### C. Delete A Number From Memory

**Note:** If set is equipped with a D-180812 or D-180837 Kit of Parts, switch must be placed in the OFF position.

5.03 Complete the following operations in succession.

- (1) Depress the RECORD button.
- (2) Depress the memory button corresponding to the name and number to be deleted.
- (3) Depress the RECORD OFF button.

#### D. Automatically Dial A Number From Memory

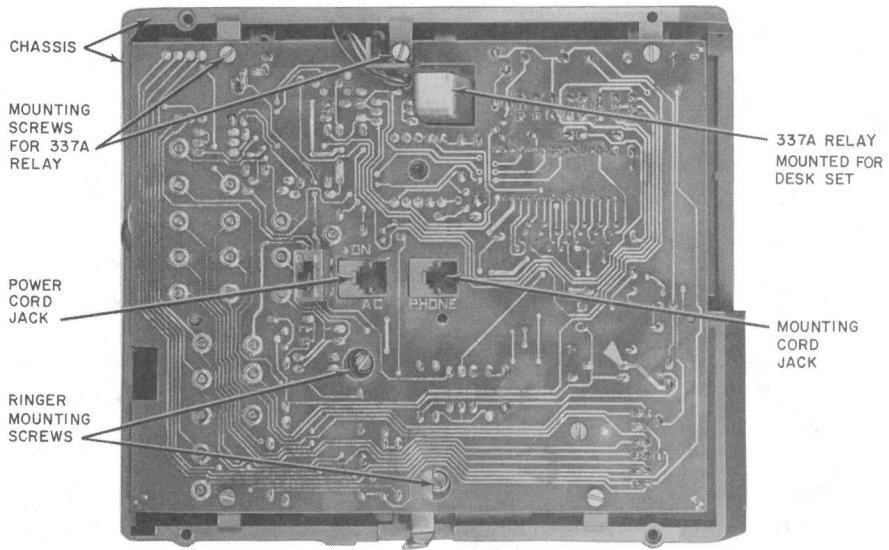
5.04 To automatically dial a number.

- (1) Go off-hook and listen for dial tone.
- (2) Depress the desired memory button.

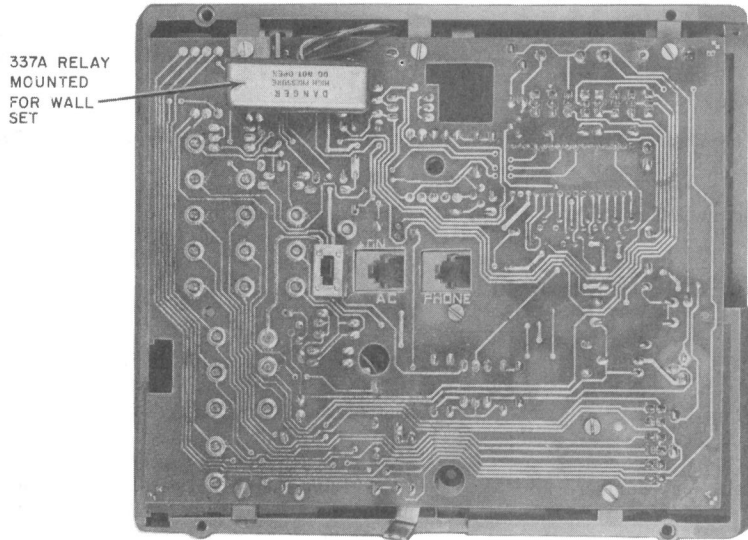
#### E. LAST NUMBER DIALED Feature

**Note:** If set is equipped with a D-180812 or D-180837 Kit of Parts, and dial intermix





A. SHOWING 337A RELAY MOUNTED FOR DESK SET SERVICE



B. SHOWING 337A RELAY MOUNTED FOR WALL SET SERVICE

Fig. 9—Bottom View of Power Supply Board (Lower Housing Removed)

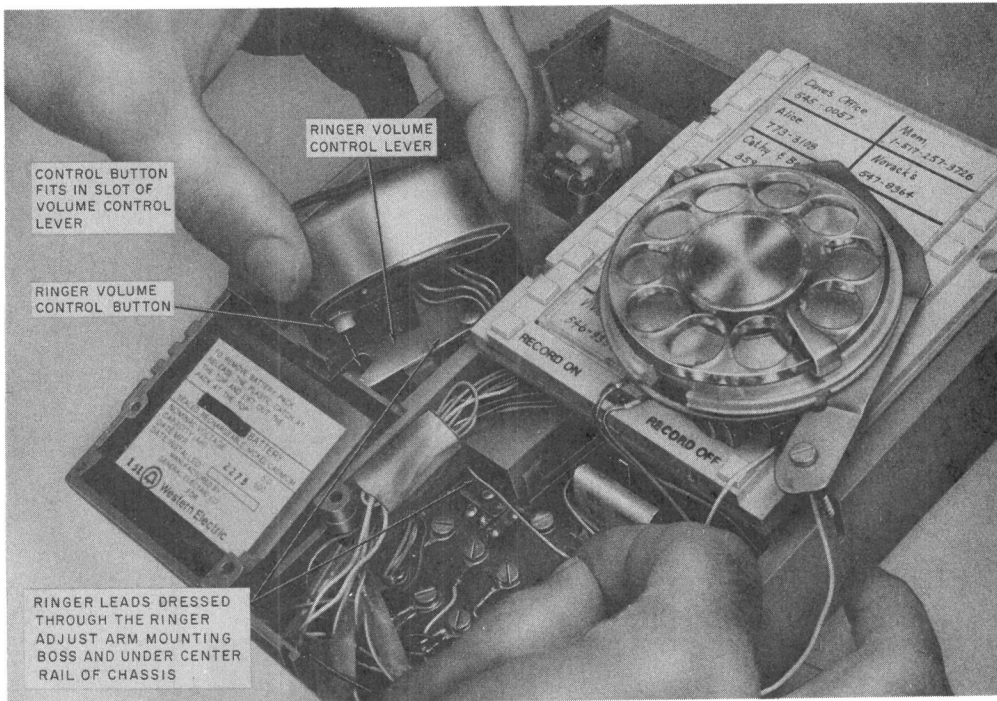


Fig. 10—Ringer Being Installed in 960A01M Chassis With Dial Rotated Onto Memory and Shield Removed

feature is provided, switch must be placed in the OFF position.

#### 5.05 Operation of LAST NUMBER DIALED feature.

- (1) Go off-hook.
- (2) Listen for dial tone.
- (3) Manually dial telephone number.
- (4) Hang up to reset dialer for automatic dialing.
- (5) To redial same number automatically, go off-hook, listen for dial tone, and depress LAST NUMBER DIALED button.

**Note:** Note that the RECORD lamp never comes on during LAST NUMBER DIALED operations.

#### F. Access Code

- 5.06 If there is no break in dial tone after the access code, simply record the number prefixed by the access code.
- 5.07 When a pause for second dial tone is required following an access code, one of the following procedures are necessary to record and automatically dial from memory.
  - (a) Use one memory button for access code as follows.
    - (1) Record the required access code in one memory location.

- (2) Record the remaining number in a second memory location.
- (3) To automatically dial a number.
  - (a) Go off-hook, listen for dial tone, and depress the memory button for the access code.
  - (b) Listen for a second dial tone and depress the appropriate memory button or the LAST NUMBER DIALED button for the telephone number.
- (b) To save a memory location by not recording the access code, an alternate procedure may be used.

**Note:** LAST NUMBER DIALED, feature can not be used with this procedure.

- (1) Just record the desired telephone number into memory—do not record the access code.
- (2) Go off-hook, listen for dial tone, manually dial the required access code, and depress the RECORD OFF button (not necessary to depress RECORD OFF button with record disable and dial intermix feature). (This will remove set from LAST NUMBER DIALED mode and allow additional automatic dialing.)
- (3) Listen for a second dial tone and depress the memory button for the desired telephone number.

#### G. Speakerphone Option

**5.08** Use speakerphone in normal manner except that all dialing must be done with handset off-hook. After dialing, depress the speakerphone ON button and hold it depressed until the handset is placed on-hook.

#### H. Multiline Service (using 6040/6050-type key)

**5.09** Replacing the handset each time a line key is changed assures proper dialer operation. If a number is dialed manually from one line and another line key is depressed to make another outgoing call without hanging up, the RECORD OFF button should be depressed before dialing. This will remove the set from the "last number

dialed mode" to allow either automatic dialing or proper recording of a manually dialed number into LAST NUMBER DIALED position.

#### 6. MAINTENANCE

**Caution: Operation of battery OFF-ON switch to OFF position will result in loss of memory if ac power is not present.**

**6.01** In case of power failure, the automatic dialing feature cannot be used. The battery retains the number associated with each of the memory buttons for at least 16 hours. If power loss exceeds 16 hours, the numbers may have to be rerecorded.

##### A. Return Procedure

**6.02** Any replaced set (or components) should be returned in the carton of the replacement with a label placed on the outside of the carton stating that contents are defective. When a set is not being replaced by a new one, use a D-180600 Kit of Parts for returning set to repair center.



**Always place battery switch in OFF position when a set is removed from service.**

##### B. Trouble Analysis

**6.03** When trouble is encountered, the subsequent procedure should be followed.

- (1) Confirm trouble report either as an automatic dialer (Part 5), or as a basic telephone set.
- (2) Check for improper connections.
- (3) Refer to Table H and paragraphs 6.04 through 6.08.

##### C. Battery

**6.04** The KS-20390L5 battery has an expected life of about 4 years. It can be replaced without loss of memory provided that commercial ac power to the set is continuously maintained. To replace the battery, proceed as follows (Fig. 5).

- (1) Remove the upper housing (paragraph 3.16).

- (2) Release the battery [paragraph 3.19 (2) and (3)].
- (3) Disconnect the battery leads.

**Caution: Do not short battery terminals.**

- (4) Remove battery.
- (5) Install new battery.
- (6) Reassemble the set.



**Before doing Step (7), insure that.**

**(a) The battery switch is in the ON position.**

**(b) The new battery has been connected for a minimum of five minutes.**

**(c) There is a known telephone number recorded in a memory location.**

(7) Momentarily disconnect the 2012B (MD) or 2012D transformer (for 5 to 10 seconds). After reconnecting the transformer and securing with a 2A clamp, automatically dial the previously recorded known telephone number. This will verify retention of memory by the new battery.

#### D. Memory

**6.05** The Memory may be replaced in the following manner.

**Note:** Removal of the Memory results in loss of stored telephone numbers.

- (1) Disconnect 2012B or 2012D transformer.
- (2) Turn battery switch to OFF.
- (3) Remove the faceplate (paragraph 3.15) and place the shield aside.
- (4) Disengage the four captive memory screws (Fig. 4).
- (5) Rotate the right edge of the Memory upward.

(6) Disengage the connector at the Memory (Fig. 6) by pulling it perpendicular to the circuit board.

(7) Replace the Memory by engaging the connector. The connector is keyed, one position is filled and should fit over the vacant position in the row of pins. The cable should not be twisted.

(8) Tighten the four captive screws.

(9) Replace the shield and faceplate.

(10) Test per paragraph 3.12.

(11) Place the old Memory in shipping container of the new Memory (carton 900314535), affix a defective label and return to the repair location.

#### E. 11E Dial

**6.06** To replace.

- (1) Disconnect 2012B or 2012D transformer.
- (2) Turn battery switch to OFF.
- (3) Remove the faceplate (paragraph 3.15) and place the shield aside.
- (4) Remove the upper housing (paragraph 3.16).
- (5) Gently push back on the battery retainer catch and swing the rear edge of the battery upward to release the battery.
- (6) Carefully lift the battery from its cavity and place onto the ringer.
- (7) Disconnect the (W) dial lead from screw terminal 20 on the power supply board.
- (8) Disengage the two captive screws that hold the dial in place.
- (9) Lift the dial out of the way and disconnect the appropriate leads (Fig. 15B).
- (10) Remove dial mounting bracket from the dial (Fig. 6).
- (11) To install a new dial, reverse procedure.

- (12) Test per paragraph 3.12 (7) and (8).

#### F. P1A Ringer

- 6.07** To replace the P1A ringer, proceed as follows.

**Note:** A split blade expandable or a magnetic screwdriver will be required to install the new ringer, Step (13) and (16).

- (1) Disconnect 2012B at 2012D transformer.
- (2) Turn battery switch to OFF.
- (3) Remove the lower housing (paragraph 3.17).
- (4) Disengage and remove the two ringer mounting screws which can be accessed through the clearance holes in the power supply board (Fig. 9).
- (5) Temporarily replace the lower housing and place the set on its feet.
- (6) Remove the upper housing (paragraph 3.16).
- (7) Release the dial [paragraph 3.18 (2) and (3)] and place aside (Fig. 10).
- (8) Disconnect the ringer leads (Fig. 15B and Table C) and remove ringer.
- (9) Dress the leads of the new ringer through the ringer adjust arm mounting boss and under the center rail of the chassis. Connect leads to the appropriate terminals.
- (10) As the ringer is lowered into its mounting position, pull any slack in the leads through to the dial side of the center rail (Fig. 10).
- (11) Replace the dial.
- (12) Remove the lower housing. Holding the ringer in position, turn the chassis over to expose the clearance holes in the power supply board.
- (13) Attach one ringer mounting screw onto the blade of a screwdriver (see preceding note).

- (14) Insert the ringer mounting screw into one location and secure ringer.
- (15) Align the ringer adjust arm over the ringer volume control button (Fig. 10).
- (16) Replace the remaining ringer mounting screw with the *special* screwdriver and tighten ringer into place.
- (17) Replace the housing, shield, faceplate, and handset.
- (18) Dial the appropriate code for ring-back to test the ringer.

#### G. Handset Jack

- 6.08** To replace the 616J handset jack (Fig. 5 and 6).

- (1) Disconnect 2012B or 2012D transformer.
- (2) Turn battery switch to OFF.
- (3) Remove the upper housing (paragraph 3.16).
- (4) Release the battery and place aside [paragraph 3.19 (2) and (3)].
- (5) Release the dial [paragraph 3.18 (2) and (3)] and place aside (Fig. 10).
- (6) Disconnect the appropriate leads (Fig. 15B) and remove jack.
- (7) Replace the jack and dress jack leads in channel behind jack (Fig. 5).
- (8) Reassemble set.
- (9) Verify proper handset operation.

#### H. Defective Telephone Set Which Has a D-180837 Kit of Parts Installed

- 6.09** To replace a defective set which has a D-180837 Kit of Parts installed, it is necessary to move the lower housing of the defective set to the new set as follows.

- (1) Disconnect transformer.
- (2) Turn battery switch to off.

- (3) Remove faceplate (paragraph 3.15) and place shield aside (Fig. 4).



*Before doing Steps 4 and 5, note switch wire color and designation (see Table E).*

- (5) Disconnect switch leads from terminals 1, 12, and 13 on power supply board.
- (6) Remove lower housing and install on new telephone set (see Table E).

## 7. CONVERSION FROM DESK SET TO WALL SET

**7.01** To convert from a desk set to a wall set, proceed as follows.

- (1) Remove the lower housing (paragraph 3.17).
- (2) Remove the screw which holds the 337A relay bracket to the printed wiring board, and also the screw in the printed wiring board located near the upper left hand corner as shown in Fig. 9A.
- (3) Relocate the 337A relay on the printed wiring board (Fig. 9B) and replace the two screws removed in (2).
- (4) Remove the 523B4 plug from its stored position and snap both sides of the plug into rectangular slot in the bottom of the lower housing. Snap plug in from the outside such that the word **TOP** is properly oriented in the housing (Fig. 12). The plug should slide freely in the slot.
- (5) Insert the other end of the 523B4 plug into the jack position designated **PHONE** on the power supply board.

- (6) Insert the power cord up through the cord opening below the plastic retainer tab in the bottom of the lower housing (Fig. 12).

- (7) Connect the power cord to the telephone set per the appropriate option of Fig. 15C.

- (8) Place the lower housing on the chassis according to the instructions on the bottom (Fig. 12), and engage the four captive screws.

- (9) Remove the station number card retainer and station number card from the upper housing.

- (10) Disengage the captive screw from the chassis and lift out the concealed handset hook and screw from the cavity in the upper housing.

- (11) Completely remove the captive screw from one side of the handset hook and insert it into the other side.

- (12) Place the handset hook back into its cavity in the upper housing, engage the screw with the chassis, and fasten the hook down (Fig. 11).

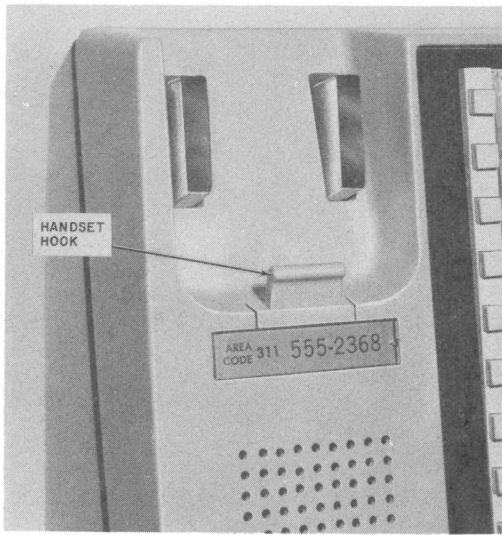
- (13) Replace the station number card and card retainer.

- (14) The converted wall set is intended to plug into and secure to a 630A4 connecting block (Fig. 12 and 16B).

**7.02** When connecting set to wall, proceed as follows to prevent damage to 523B4 plug or to receptacle in 630A4 connecting block.

- (1) Begin with slight engagement of plug in receptacle.
- (2) Raise set (with plug slightly engaged) and push toward wall to engage studs in corresponding holes in base of set. (The plug will slide up and down in the base of the set.)
- (3) Pull set downward until firmly seated. (A snap should be felt.)
- (4) Gently tug on the top and then on the bottom of the set. If one of the studs is not engaged, that end of the set will move away

from the wall. In that case, push up to remove the set and repeat the procedure.



**Fig. 11—960A01M Telephone Set With Handset Hook Reversed for Wall Mounting**

## **8. CORD DRESSING FOR OPTIONAL SERVICES (ADJUNCTS)**

**8.01** Knockouts are provided in the bottom rear of the lower housing (Fig. 13), to accommodate the additional cords associated with the connections of wiring options such as speakerphone, SPOKESMAN service, etc.

- (a) For small cords it is necessary to remove only the vertical portion of the knockouts on the rear of the housing.
- (b) For larger cords and connectors, the remainder of the knockout on the bottom of the housing should be removed.

**8.02** Strain relief for optional cordage may be obtained by using any of the six screws used to fasten the power supply board to the bottom of the chassis (Fig. 14). Proper precautions must be taken so that the stay band and hooks do not short any circuit paths. Insulating tape should be placed around the cord and stay band and also applied to the power supply board under the cord (Fig. 14).

**8.03** A rectangular cutout at the right front edge of the power supply board provides access for dressing individual spade-tipped leads to the appropriate screw terminals on the power supply circuit board (Fig. 14).

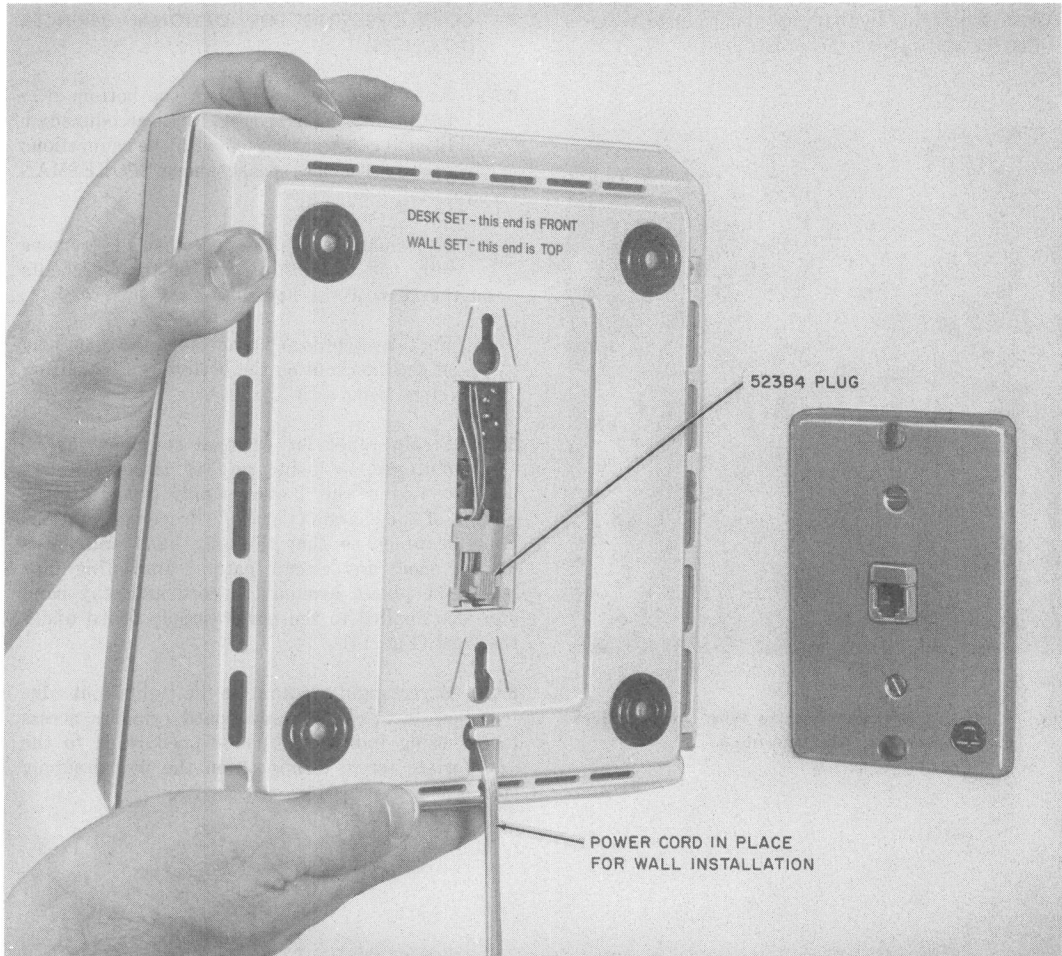


Fig. 12—960A01M Wall Set and 630A4 Connecting Block



TABLE C

**CONNECTION – 960A01M TELEPHONE SET FOR  
RINGER OR A LEAD CONTROL OPTIONS**

OPTION		LEAD		REMOVE FROM PSB TERM.	CONNECT TO PSB TERM.	REMARKS	
		DESIG.	COLOR				
Selective Ringing (Note 1)	Ring Party	Ringer	BK	7	1	Ringing current from ring to Grd	
	Tip Party	Ringer	BK	7	1	Ringing current from Tip to Grd	
		Spade Tip Lead on PSB	BL	6	7		
Tip Party with Identification Ground	Ringer Leads	BK		7	1	Ringing current from Tip to Grd	
		S†		*	19		
		S-R		*	*		
	Strap		(Note 3)				
	Spade Tip Leads on PSB	BL		6	10		
G			*	19			
A-Lead Control (Note 2)	Mtg Cord Jack	Y		1	5	A1	Leads must be dedicated
		BK		*	9	A	
	Shield	BK		1	5		

**Note 1:** For 4-party full selective or 8-party semiselective, one of the following must be provided:  
 (a) 426N diode. For connections, refer to Section 501-320-100  
 (b) 11-type extender (MD) or 28A ringer isolator. These may also be used to extend the range of selective ringing and/or provide ringer isolation on all lines using grounded ringers. Refer to Section 501-322-101 for connection information using 11-type extender, or Section 501-375-101 for information on 28A ringer isolator.

**Note 2:** No ringer option available (factory wired bridged ringer only) when A lead control option is used.

**Note 3:** Strap PSB terminal 5 to PSB terminal 7.

\* Insulated and stored.

† Approximately 2600 ohm identification ground only.

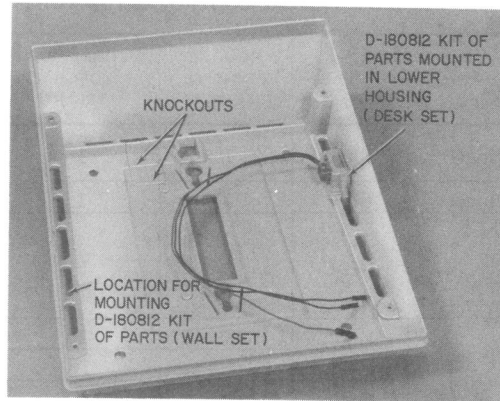


Fig. 13—Lower Housing Removed Showing Knockouts for Access by Adjunct Cords and Locations for Mounting D-180812 Kit of Parts

TABLE D  
CONNECTIONS FOR D-180812 KIT OF PARTS

D-KIT SWITCH LEADS		TERMINAL POSTS FOR SWITCH LEAD CONNECTORS	
DESIG.	COLOR (NOTE1)	RECORD DISABLE ONLY	RECORD DISABLE AND DIAL INTERMIX (NOTE 2)
LND-LK	BK	*	27-LND-LK
VDD	R	29-VDD	29-VDD
RCD-LK	BK	28-RCD-LK	28-RCD-LK

\*Insulate and store.

*Note 1.* These are single pin connectors attached to the switch leads. There are 2 (BK) leads and 1 (R) lead. The (BK) leads are interchangeable.

*Note 2.* When the option is provided, the LAST NUMBER DIALED (LND) feature is disabled and the 16th memory may be used as any other memory.

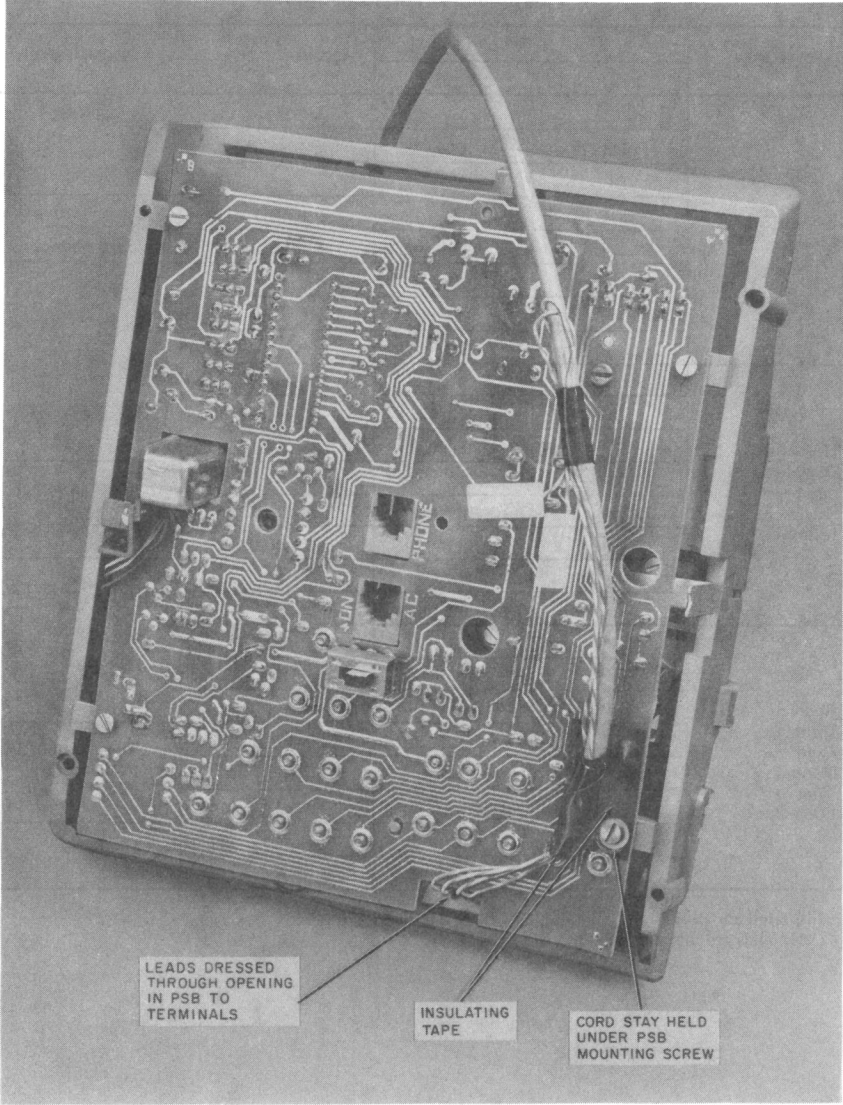


Fig. 14—Bottom of Set With Lower Housing Removed Showing an Adjunct Cord Dressed Across Power Supply Board (PSB)

**TABLE E**  
**CONNECTIONS FOR D-180837 KIT OF PARTS**  
**(960A01M TELEPHONE SET)**

FEATURE	LEAD		CONNECT TO	COMMENTS
	DESIG.	COLOR		
Record Disable Only	GRD	Y	PSB-1	
	DP	G	*	
	DP	G	*	
	VDD	R	29-VDD	These terminal posts are on 960B Memory
	RCD-LK	BK †	28-RCD-LK	
	WDC	BK †	*	
	Neg.	BR	*	
	Neg.	BR	*	
Record Disable and Dial Intermix	GRD	Y	PSB-1	
	DP	G	*	
	DP	G	*	
	VDD	R	29-VDD	These terminal posts are on 960B Memory
	RCD-LK	BK †	28-RCD-LK	
	WDC	BK †	27-LND-LK	
	Neg.	BR	*	
	Neg.	BR	*	
Record Disable and Manual Dial Lock-Out	GRD	Y	PSB-1	
	DP	G	PSB-12	
	DP	G	PSB-13	
	VDD	R	29-VDD	These terminals posts are on 960B Memory
	RCD-LK	BK †	28-RCD-LK	
	WDC	BK †	27-LND-LK	
	Neg.	BR	*	
	Neg.	BR	*	

\* Insulated and stored.

† (BK) leads are interchangeable.

TABLE F

CONNECTIONS – 960A01M TELEPHONE SET WITH  
3B (MD) SPEAKERPHONE SYSTEMS

APPARATUS	CORD OR WIRE	LEAD		CONNECT		
				FROM	TO	
		DESIG.	COLOR	PSB TERM.	CONTROL UNIT	
				55A* (NOTE )	55B	
960A01M Tel Set	D6AD-87 Cord	R1	BL-W	6	28	10
		T1	W-BL	7	19	1
		LK	G-W	10	11	35
		A1	O-W	5	12	2
		AG	W-G	9	5	11
			W-O	*	*	*
666B Trmtr	T7A Mtg. Cord	M1	S-BK		4	7
		P1	BL-R		13	8
		-15V	BK-S		14	16
		S	O-BK		3	18
		A1	Y-O		29	19
		F1	G-Y		2	17
		LK	BK-O		11	35
760A LSPK	R2FK-87 Mtg. Cord	SP1	R		33†	29†
		SP2	G		34	20
2012B (MD) or 2012D Trnsf	D-Station Wire	AC1			27	27
		AC2			36	36

**Note:** Modified by Western Electric to conform to 55B control unit circuitry.

\* Insulate and store.

† To reduce loudspeaker volume, move SP1 lead to terminal 24 (55A\*) or 30 (55B).

TABLE G

**CONNECTIONS – 960A01M TELEPHONE SET  
WITH 4A SPEAKERPHONE SYSTEM**

APPARATUS	CORDS (SEE NOTE)	LEAD		CONNECT TO
		DESIG.	COLOR	
960A01M Tel Set	M16H Cord	AC	R-G	*
		AC	G-R	*
		LK	O-W	PSB-10
		Spare	O-R	*
		Spare	R-O	*
		K5M	BR-W	*
		IT	W-G	*
		IR	G-W	*
		T1	W-BL	PSB-7
		R1	BL-W	PSB-6
		K4C	S-W	*
		K5C	W-S	*
		K4B	BL-R	*
		K5B	R-BL	*
		AG	W-O	PSB-9
		A1	W-BR	PSB-5
680-Type Trmtr	D8S-87 Mtg. Cord			
108-Type LSPK	D20N-87 Mtg. Cord			
85B1 Power Unit	M2FG Cord	AC	BK	3
		AC	Y	4

**Note:** All cords plug into 223D adapter. (See Fig. 18 for block diagram of interface.)

\* Insulate and store

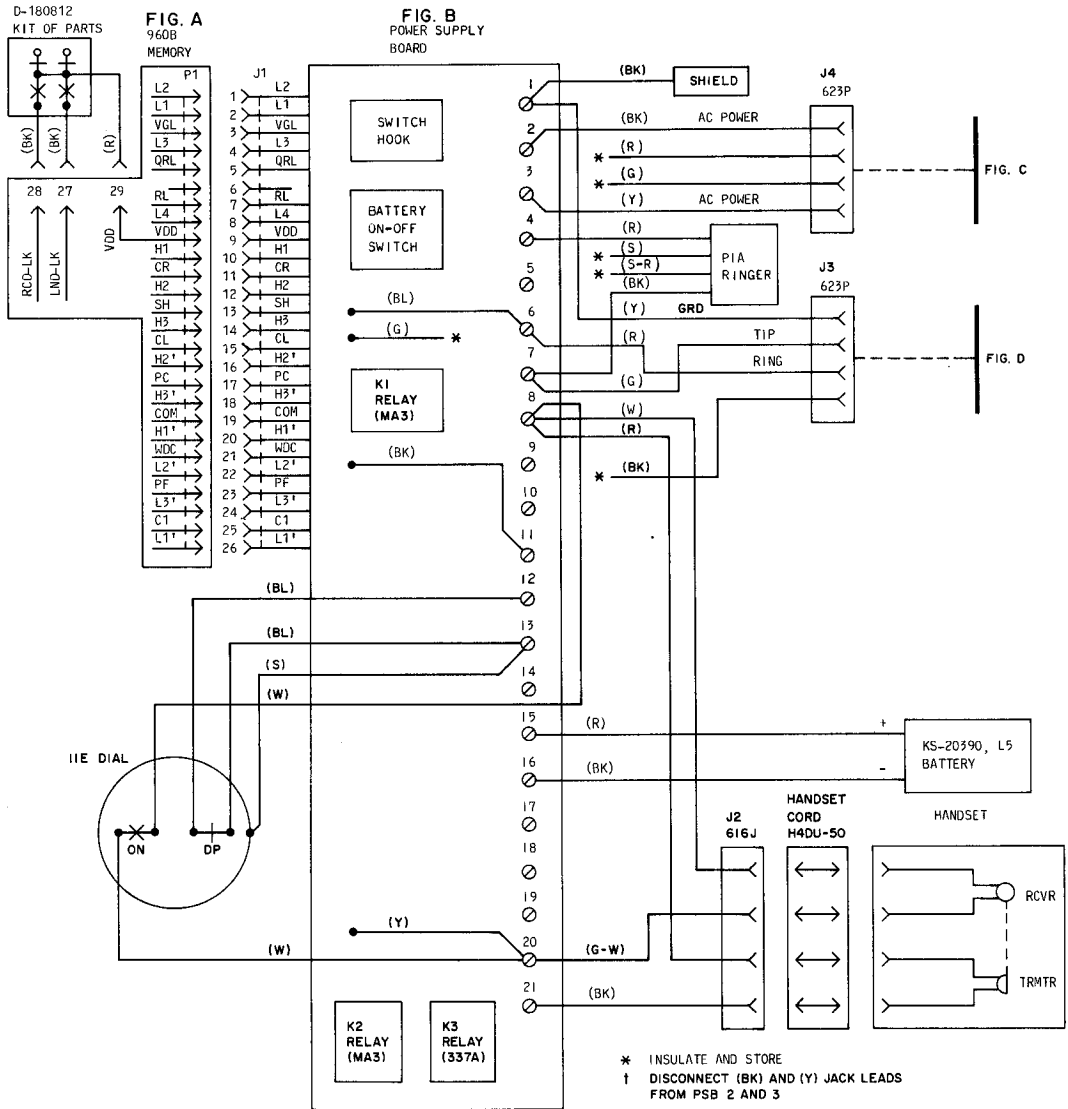
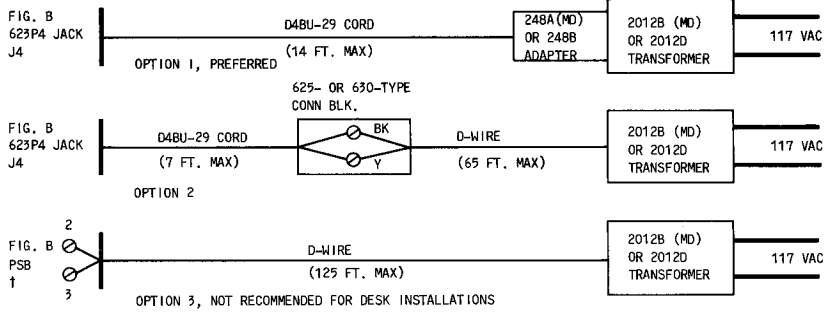
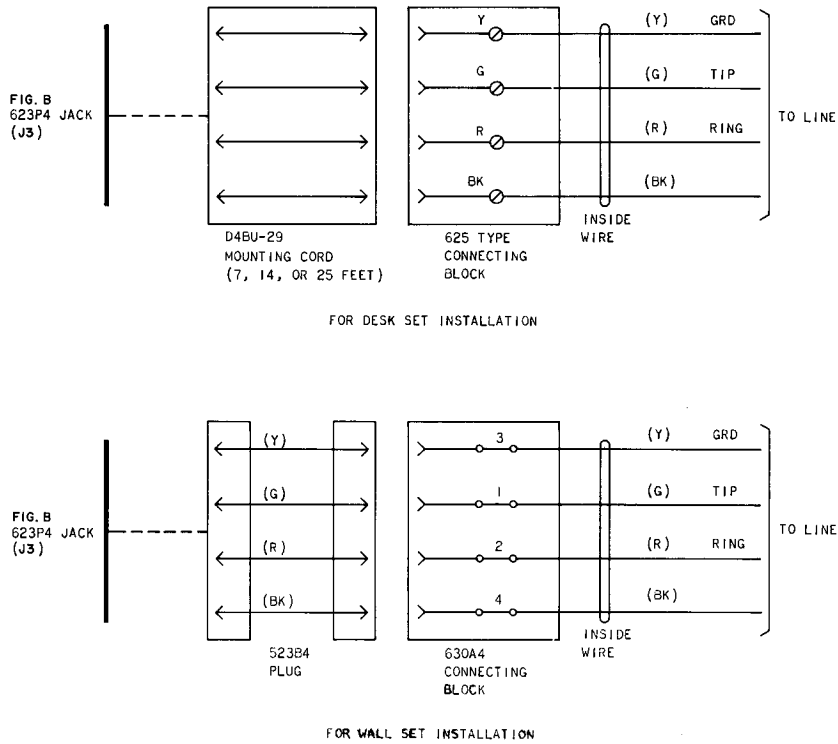


Fig. 15—960A01M Telephone Set, Connections (Sheet 1 of 2)

**FIG. C**  
POWER CONNECTIONS

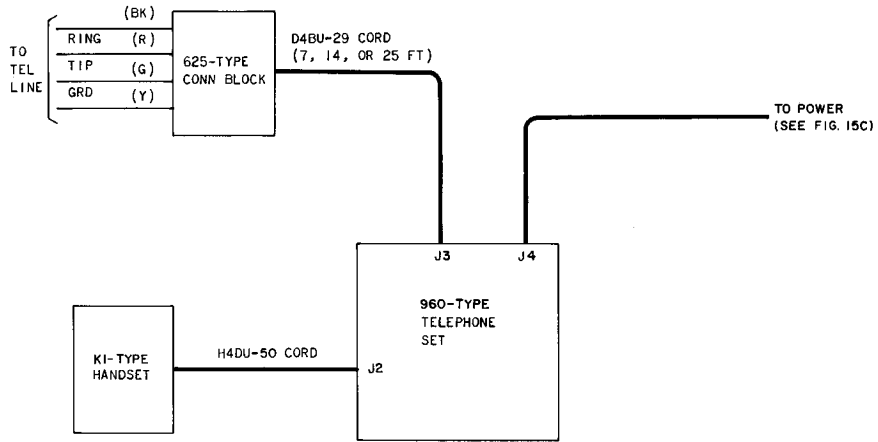


**FIG. D**  
LINE CONNECTIONS

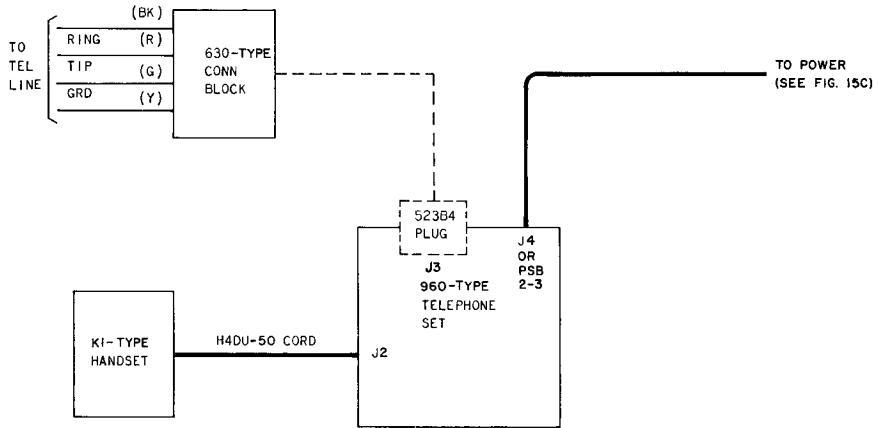


**Fig. 15—960A01M Telephone Set, Connections (Sheet 2 of 2)**





A. DESK SET



B. WALL SET

Fig. 16—Block Diagram—960A01M Telephone Set, Desk- and Wall-Type

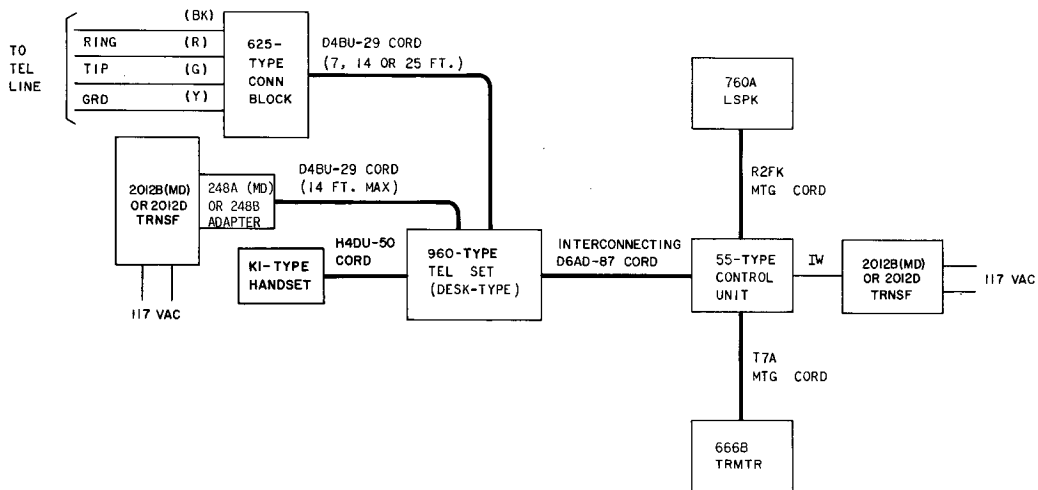


Fig. 17—Block Diagram—960A01M Telephone Set, With 3B (MD) Speakerphone

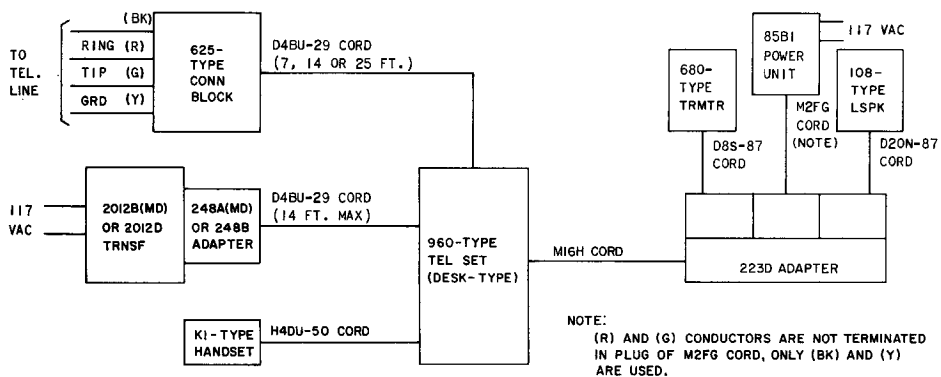


Fig. 18—Block Diagram—960A01M Telephone Set With 4A Speakerphone

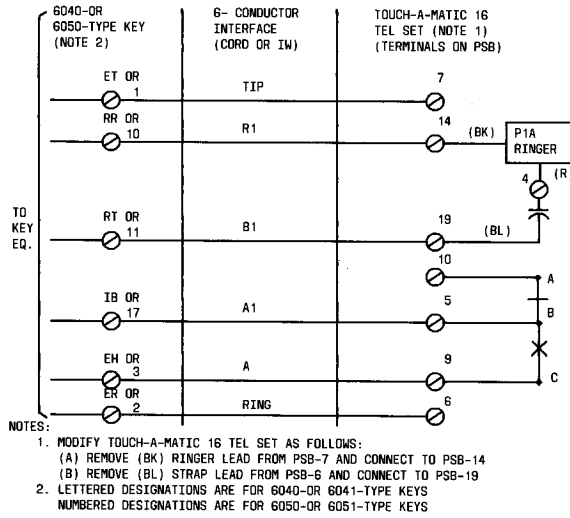


Fig. 19—Connections From Telephone Set to 6040/6050-Type Key

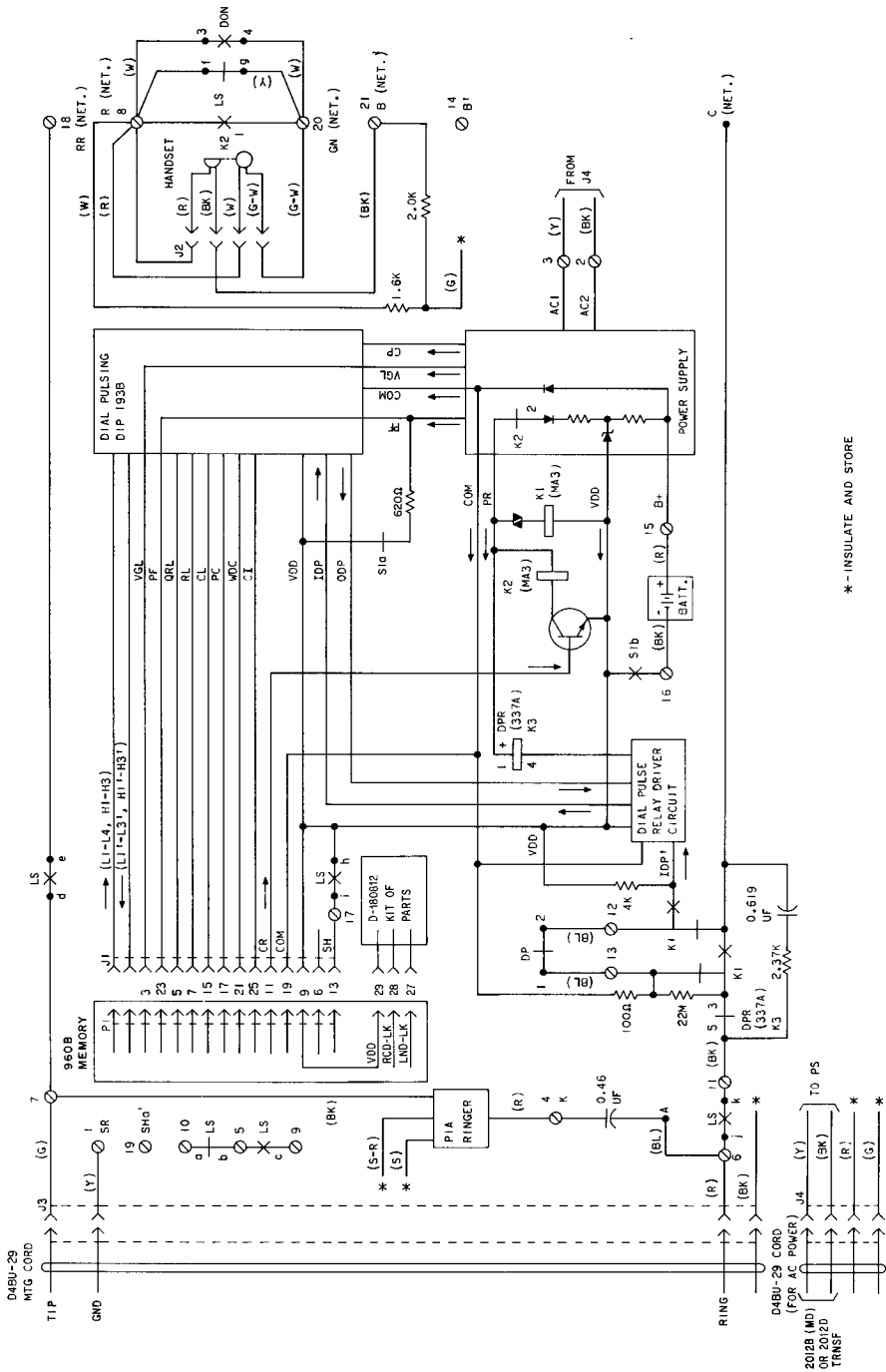


Fig. 20—960A01M Telephone Set, Partial Functional Schematic

TABLE H

## TROUBLE ANALYSIS - 960A01M

TROUBLE NUMBER	FAILURE	ADDITIONAL SYMPTOM	POSSIBLE CAUSE	REMEDIAL ACTION
1	Dead set	RECORD lamp does not turn on when RECORD button is depressed	Mounting and power cords plugged into wrong jacks	Plug cords into proper jacks
			D4BU-29 mounting cord improperly inserted at set or block	Check cord insertion and jack connections at set and block
			Bad connection between handset and telephone set	1. Check handset cord insertion in handset and telephone set 2. Check handset jack connections in set
			Defective handset	Check and/or replace handset
			Open tip or ring lead	Check leads and connections
			Defective 616J jack	Replace jack
		With strap lead between screw terminals 6 and 11 and/or 7 and 13 on PSB, dial tone is present and set operates	Defective line switch contacts d-e and/or j-k.	Replace telephone set
Unknown	Replace telephone set			
2	Cannot transmit when off-hook		Bad connections	Check handset cord, handset, and handset jack connections
			Defective transmitter	Replace handset
			Unknown	Replace telephone set
3	Cannot receive when off-hook		Bad connections	Check handset cord, handset and handset jack connections
			Defective receiver	Replace handset
			Defective dial off-normal contacts	Repair or replace dial
			Defective line switch f-g contacts	Replace telephone set
			Unknown	Replace telephone set
4	Cannot manually dial when off-hook (dial tone is present)	Dialing clicks heard (in handset) when dial is returning	Bridged set off-hook	Place bridged set on-hook
		No dialing clicks heard when dial is returning. Condition remains unchanged when 2012B or 2012D transformer is disconnected	Improperly installed or defective rotary dial	1. Check connections 2. Replace rotary dial
			Unknown	Replace telephone set
		No dialing clicks heard when dial is returning. With 2012B or 2012D transformer disconnected, set can manually dial	Improperly installed or defective memory	1. Check cable 2. Replace memory
			Defective PSB	Replace telephone set

TABLE H (Contd)

## TROUBLE ANALYSIS – 960A01M

TROUBLE NUMBER	FAILURE	ADDITIONAL SYMPTOM	POSSIBLE CAUSE	REMEDIAL ACTION
5	RECORD lamp does not function properly	RECORD lamp does not turn on when RECORD button is depressed	AC power not present	Check for commercial power
			Switch of D-180812 or D-180837 Kit of Parts in On position	Change switch position to OFF
			D4BU-29 power cord improperly inserted	Check cord insertion at set and 248A or 248B adapter
			2012B or 2012D transformer defective or not plugged in	Check or replace 2012B or 2012D transformer. (Should read 13.4 to 18 Vac across screw terminals 2 and 3 on PSB)
			Memory or RECORD OFF button stuck down	Clear stuck button
			Defective lamp or lamp driver circuit	Replace memory
			Unknown	Replace telephone set
		Lamp turns off when any memory button is depressed	Improperly installed or defective memory	1. Check connector cable 2. Replace memory
			Unknown	Replace telephone set
		Lamp does not turn off as dial is returning. Can not manually dial off-hook	Improperly connected or defective rotary dial (dial pulsing contacts)	1. Check rotary dial connections 2. Replace rotary dial
			Unknown	Replace telephone set
		Lamp does not turn off as dial is returning. Can manually dial off-hook	Improperly connected or defective Memory	1. Check connector cable 2. Replace Memory
			Unknown	Replace telephone set
		Lamp turns off as dial is returning and stays off	Memory button was not depressed prior to the operation of the dial	Record per 5.01
Defective Memory	Replace Memory			
Unknown	Replace telephone set			
6	Cannot record into Memory	RECORD lamp momentarily flashes when RECORD button is depressed	Stuck RECORD OFF button	Check RECORD OFF button
7	Cannot record properly into the 15 memory positions or into LAST NUMBER DIALED position	RECORD lamp functions properly and set dials manually	Defective Memory	Replace Memory
			Unknown	Replace telephone set
		Party is reached when number is recorded as it is manually dialed; however,	Check recording procedure	Record per 5.01
			Defective Memory	Replace Memory

TABLE H (Contd )

## TROUBLE ANALYSIS – 960A01M

TROUBLE NUMBER	FAILURE	ADDITIONAL SYMPTOM	POSSIBLE CAUSE	REMEDIAL ACTION
7 (Contd)		when number is subsequently dialed from Memory, party is not reached – wrong number is dialed from Memory	Unknown	Replace telephone set
8	Cannot dial properly from Memory	MA <sub>3</sub> relay does not operate (no click heard) when memory button is depressed	Improperly connected or defective Memory	1. Check connector cable 2. Replace Memory
			Unknown	Replace telephone set
		No digits, random digits or all the same digits in memory location(s). <i>Note:</i> Memory may or may not have functioned properly at some previous time.	AC power outage for 16 hours or longer	Reestablish ac power and rerecord numbers into Memory
			Disconnected or defective battery	1. Check KS-20390L5 battery connections and ON-OFF switch 2. Allow the battery to be charged for a minimum of 5 minutes. Then momentarily remove the 2012B or 2012D transformer from the ac power outlet and reinsert. 3. If previously stored numbers are not dialed from Memory replace the battery 4. Repeat procedure to check new battery
			Defective Memory	Replace Memory
Unknown	Replace telephone set			
9	All memory dialing functions are inoperative	RECORD lamp is on	RECORD ON button stuck down	Clear stuck button
		Can manually dial off-hook with AC power on or off	RECORD OFF button stuck down	Clear stuck button
			Battery switch off	Place switch to ON
			Defective Memory logic	Replace Memory assembly
			Unknown	Replace telephone set
10	Ringer does not operate	Operates with adjust lever in HIGH position	Marginal operation with adjust lever in LOW position	Readjust lever position
			Ringer lower limit stop screw removed	Replace lower limit stop screw in ringer
		Does not operate with lever in HIGH position	Open ringer connections	Check connections and ringer leads
			Defective ringer	Replace ringer

TABLE H (Contd)

## TROUBLE ANALYSIS – 960A01M

TROUBLE NUMBER	FAILURE	ADDITIONAL SYMPTOM	POSSIBLE CAUSE	REMEDIAL ACTION
11	Noisy line	Hum on line when set is off-hook	Defective power	Replace telephone set
			Unknown	Replace telephone set
12	Replace wrong numbers when dialing from memory locations (Numbers are not the same as were recorded)	Numbers can be rerecorded and dialing from Memory is proper	Improperly connected or defective (BK) lead from shield	Check lead and connection. (Lead must be connected to GRD). Replace shield
			Improperly connected or defective (Y) lead from mounting cord jack J3	Check lead and connections – (Y) lead must be connected to Grd Replace jack J3
			Defective D4BU mounting cord	Replace cord
			(Y) lead at connecting block not connected to earth ground	Check connections and insure that (Y) lead is dedicated as earth ground