

## 872A1M "TOUCH-A-MATIC®" TELEPHONE SET

### IDENTIFICATION, INSTALLATION, CONNECTIONS, OPERATIONS, AND MAINTENANCE

CONTENTS	PAGE	CONTENTS	PAGE
1. GENERAL . . . . .	2	COMPONENT LOCATION AND ACCESS INFORMATION . . . . .	18
2. IDENTIFICATION . . . . .	2	A. Location of Components . . . . .	18
A. Design Features . . . . .	2	B. Mounting Cord . . . . .	19
B. Optional Features . . . . .	3	C. Network Terminals . . . . .	19
C. Ordering Guide . . . . .	4	D. Power Supply Board (PSB) Terminals . . . . .	20
D. Operating Features . . . . .	6	E. Line Key Removal . . . . .	20
3. INSTALLATION . . . . .	7	F. Faceplate Removal . . . . .	21
STANDARD INSTALLATION . . . . .	7	G. Handset Cradle Removal . . . . .	22
Installation Check Procedure . . . . .	8	H. Housing Removal . . . . .	23
OPTIONAL APPARATUS INSTALLATION . . . . .	10	4. CONNECTIONS . . . . .	23
A. D-180568 Kit of Parts (With Speakerphone) . . . . .	10	5. OPERATION . . . . .	23
B. D-180493 Kit of Parts (Dial Tone Detector and One-Touch Calling Switch) . . . . .	10	A. Record A Number Into Memory . . . . .	23
C. D-180494 Kit of Parts (2/4-Wire Service) . . . . .	13	B. Change A Number In Memory . . . . .	25
D. D-180818 Kit of Parts (Record Disable and Dial Intermix Features) . . . . .	13	C. Delete A Number From Memory . . . . .	25
E. Single-Line Service . . . . .	17	D. Automatically Dial A Number From Memory . . . . .	25
F. Head Telephone Set . . . . .	17	E. LAST NUMBER DIALED Feature . . . . .	25
		6. MAINTENANCE . . . . .	26

#### NOTICE

Not for use or disclosure outside the  
Bell System except under written agreement

CONTENTS	PAGE
A. Trouble Analysis . . . . .	26
B. Battery . . . . .	26
C. Memory . . . . .	27
D. Dial . . . . .	27
E. 6-Button Line Key . . . . .	27
F. Ringer . . . . .	27
G. Buzzer . . . . .	28
H. Handset Jack . . . . .	28
I. Handset . . . . .	28
J. Faceplate . . . . .	29
K. Speakerphone . . . . .	29

## 1. GENERAL

1.01 This section contains information on the 872A1M (rotary dial) TOUCH-A-MATIC® telephone set (Fig. 1).

1.02 This section is reissued to:

- Revise Table A
- Add Fig. 6
- Show 3B speakerphone system MD
- Add safety information for the 95B1 power unit
- Revise Fig. 9 and 10
- Add 2012D transformer
- Add 533K diode.

1.03 The 872A1M telephone set is factory-wired for use with 1A1, 1A2, or 6A key telephone systems (KTS). It may be converted (Table K) for use with 1A KTS.

1.04 The telephone set is available in the following colors:

- Black (-03)
- Green (-51)
- White (-58)
- Lt. Beige (-60).

1.05 The 872A1 (MD) faceplate is available in only the satin-silver (-87) color.

1.06 The 872B1 decorative faceplates are available in the following colors:

- Teak Woodgrain (-108)
- Walnut Woodgrain (-109)
- Matte Aluminum (-122).

## 2. IDENTIFICATION

2.01 The 872A1M telephone set provides all standard features of a 6-button key telephone set plus automatic dialing of 31 frequently called numbers, and a LAST NUMBER DIALED *scratch pad* memory.

### A. Design Features

#### 2.02 *Design Features:*

- Modular key telephone set
- Convertible to single line operation
- Integrated circuit memory
- Common audible ringing
- Buzzer
- Busy lamp diode
- Line pickup buttons convertible to nonlocking signal buttons
- Memory buttons from which to select preprogrammed telephone numbers for automatic dialing

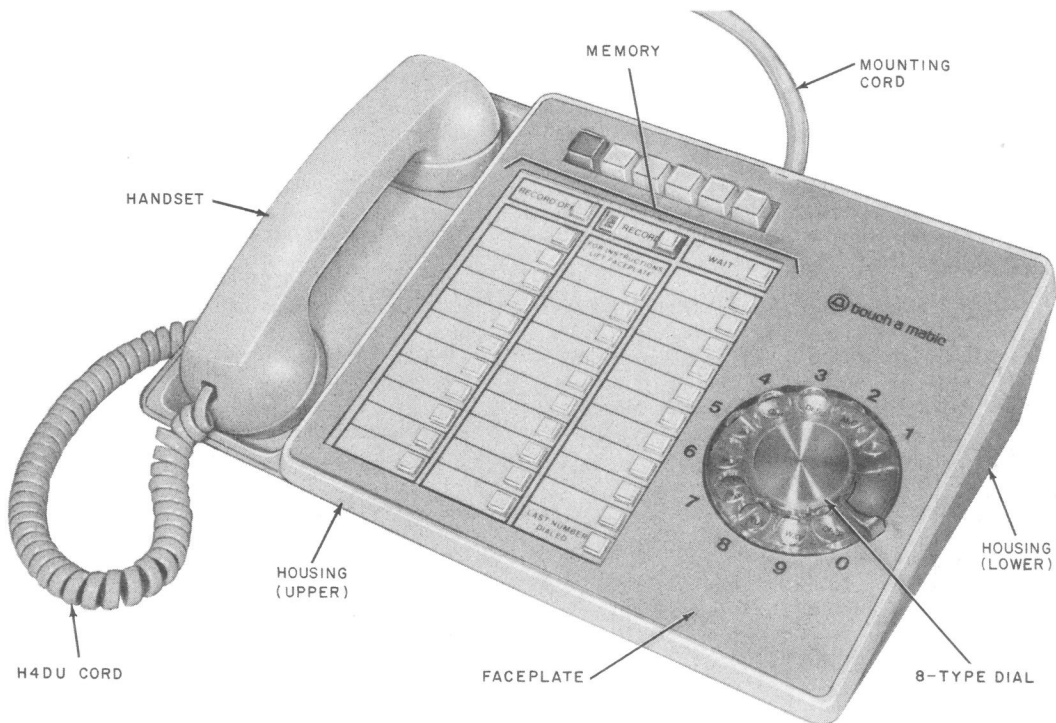


Fig. 1—872A1M Telephone Set

- Capability to record and automatically dial 31 telephone numbers of up to 15 digits each
- Last number dialed memory
- Plug-in battery
- Capability to pause for subsequent dial tones during automatic dialing (WAIT input).
- Speakerphone—either 3B (MD) or 4A speakerphone systems may be added to stations
- Dial Tone Detector—automatically starts dialer when precise TOUCH-TONE® dial tone (350 Hz and 440 Hz) is present.
- One-Touch Calling, (requires both dial tone detector and speakerphone)—depressing one memory button will automatically turn on speakerphone, detect dial tone, and dial complete number.

#### B. Optional Features

##### 2.03 *Optional Features (Refer to Table A):*

- Decorative Faceplate

**Note:** All dial tones encountered in the process of placing a call must be precise TOUCH-TONE dial tone, if the call is to be completed automatically.

- D-180818 Kit of Parts provides the following features:

**Note:** Telephone set must be equipped with an 870B Memory.

- (a) Record Disable—turns off recording feature to prevent accidental erasures of previously stored numbers. No recording possible except for last number dialed memory which will store digits manually dialed from the telephone set.
  - (b) Record Disable and Dial Intermix Feature—digits dialed manually from telephone set dial and digits dialed automatically from memory may be intermixed without depressing RECORD OFF button. Memories cannot be altered and LAST NUMBER DIALED feature is inoperative.
- Station Busy Lamp
  - 2/4-Wire Service
  - Add-On-Conference
  - Exclusion (multiline)
  - Bridged Ringing
  - "I" Hold
  - Signaling
  - Restricted Dialing
  - Amplifying Handset
  - Head telephone set operation using jackset
  - End-to-end signaling using 1035C3A (MD) or 1035AF3A Dialed Adjunct (Section 501-164-130).

**2.04 All options are implemented by:**

- Wiring changes in the telephone set
- Installation of appropriate additional items.

**C. Ordering Guide**

**2.05 Ordering Guide:**

- (a) The 872A1M telephone set is a modular type telephone set and may be ordered complete and ready to install as.

- Set, Telephone, 872A1M-\*

- (b) **Ordered Separately:**

- Unit, Power, 95B1 (required for operation of the automatic dialing feature)

**Note:** One power unit is required for each telephone set.

- Decorative Faceplate, 872B1-108 (Teak Woodgrain) or 872B1-109 (Walnut Woodgrain).

- (c) The 872A1M set is comprised of the following component parts:

- Housing (Lower) 870A1-\*
- Housing, (Upper), 870A1U-\* (used with 872B1 faceplate)
- Faceplate, 872A1-87 (MD)
- Faceplate, 872B1-122 (matte aluminum)
- Handset, G15A-\*
- Cord, Handset, H4DU-\*
- Base, Telephone Set, 872AM (includes the following):
  - Dial, 8EA-119
  - Key, 635BT5
  - 812365039 (P-23F503) Collar
  - Ringer, P1B
  - Network, 425K or 4228-type
  - Buzzer, KS-20419L1
  - Cord, Mounting, D50BB-87

\* Add appropriate color suffix (paragraph 1.04).

♦ TABLE A ♦

## OPTIONS

OPTION		ADDITIONAL ITEMS REQUIRED	CONNECTION PER	
			FIGURE	TABLE
Speakerphone*	4A	108AA Loudspeaker	12	D, E
		680AE Transmitter	12	D, E
		82B Connecting Block	12	D, E
		85B1 Power Unit	12	D, E
		D-180568 Kit of Parts	9 (C)	D, E
	3B (MD)	760A (MD) Loudspeaker	11	B, C
		666B (MD) Transmitter	11	B, C
		55-Type (MD) Control Unit	11	B, C
		2012D Transformer	11	B, C
		149B Adapter		B, C
One-Touch Calling	D-180493 Kit of Parts	9 (D, E)	C or E	
	Speakerphone	9 (B)		
Dial Tone Detector	D-180493 Kit of Parts	9 (D)	C, E, or F	
Station Busy Lamp		10		
"I" Hold		10		
Signaling			M	
Exclusion (Multiline)		10		
Add-On-Conference		10		
Bridged Ringing			H, I	
2/4 Wire Service*	D-180494 Kit of Parts	13	G	
1A Key Service			K	
Amplifying Handset	G6BM, G7BM, or G8BM Handset	9 (H)		
Restricted Dialing	533K Diode	14		
Record Disable	D-180818 Kit of Parts (See Note )		L	
Dial Intermix				
Decorative Faceplate	872B1-108 (Teak)†			
	872B1-109 (Walnut)†			

◆TABLE A (Contd)◆

## OPTIONS

OPTION	ADDITIONAL ITEMS REQUIRED	CONNECTION PER	
		FIGURE	TABLE
Head Telephone Set Operation	Plantronics Jackset Model JS0180-1A or JS0180-2A	Tables provided with Plantronics Jackset	
	Desired Head Telephone Set †		

*Note* : If set is equipped with an 870A memory, replace with an 870B memory.

\* D-Kits for 2/4 wire service and speakerphone are designed to mount in the same place in the set. If both services are to be provided simultaneously, consult your Telco engineer.

† An 870A1U upper housing may be required (paragraph 6.11).

‡ The KS-19796, KS-20778, 52-, 53-, and 60-type headsets are registered with the Jackset Models.

Battery, KS-20390L4 or KS-20390L2

Jack, Handset, 616B

Memory, 870B

841382617 Power Supply Printed Wiring Board (PSB) Assembly

840393672 Directory Sheet Set

Booklet, Instruction, Subscriber, SIB-2455B

(d) **Optional Apparatus (order as required):**

- Kit of Parts, D-180568 (must be used for speakerphone service)
- Kit of Parts, D-180493 (Dial Tone Detector and One-Touch Calling switch)
- Kit of Parts, D-180494 (for conversion to 4-wire service)
- Kit of Parts, D-180818 (Record Disable and Dial Intermix)

**Note:** This kit of parts may be used only with sets equipped with an 870B Memory.

- Faceplate, 872B1-†

**Note:** If set is equipped with an 872A1-87 faceplate, then an upper housing (870A1U-\*) of the appropriate color must also be ordered.

- Handset, Amplifying (G6BM, G7BM, or G8BM)

- Set, Head Telephone [using Plantronics Jackset Model JS0180-1A (1-1/2 foot cord) or JS0180-2A (6 foot cord)]

**D. Operating Features**

**2.06 Operating Features (Fig. 2).**

- Line key (635BT5), 6-button key. Hold with five line pickup buttons which are convertible to nonlocking. An additional momentary contact (logic reset switch) is attached to the hold side of the key to reset the logic circuit anytime a key button is depressed.
- 32-button array of low force, low travel, nonlocking memory buttons arranged in three columns. Left and right columns have eleven buttons, center column has ten buttons.
- LAST NUMBER DIALED button, located in lower right corner of memory array, when momentarily depressed, automatically redials the last number manually dialed.

\*Add appropriate color suffix (paragraph 1.04).

†Add appropriate color suffix (paragraph 1.06).

- RECORD button (nonlocking), when momentarily depressed, lights the RECORD lamp and enables the memory circuits to store telephone numbers.
- RECORD OFF button (nonlocking), when momentarily depressed extinguishes the RECORD lamp, indicating that the dialer is switched out of the record mode.
- WAIT button (nonlocking), when momentarily depressed during recording operation, enters a code into memory to initiate a halt in the automatic dialing sequence [used where access digit(s) required].

### 3. INSTALLATION

#### STANDARD INSTALLATION

**3.01** Make all wiring changes and telephone set modifications (Table A) before external connections are made to the set, see Fig. 9 and Table J.

**Warning:** Do not plug in either battery or power unit until all connections and modifications are complete. Take extreme care not to damage the exposed components, circuit, etc. when the set is opened.

**3.02** The set is shipped from the factory with the battery disconnected. After all wiring changes and modifications have been completed, connect the battery (Fig. 7), by tilting the set up, and inserting the battery plug into the mating jack.

**Note:** Wire date of installation on label provided on battery.

**3.03** Install the 95B1 power unit within 150 feet (24 gauge conductors) of the telephone set and plug into an ac outlet not controlled by a switch (continuous ac power is required). A retaining clamp (841050818) will be shipped with the 95B1 power unit and should be mounted to the ac receptacle to hold power unit securely and prevent accidental loss of power. The power unit may be located at the equipment end of the cable or run directly into the telephone set by conductors separate from the mounting cord and connected to PSB terminals 24 and 25. When separate power

conductors are used, disconnect, insulate, and store the (BL-V) and (V-BL) mounting cord leads from PSB terminals 24 and 25.

**Danger:** **Securely attach retaining clamp to ac outlet using outlet cover screw BEFORE attempting to install 95B1 power unit. The power unit and any other cord plugged into the ac outlet should always be unplugged completely from the outlet BEFORE attempting to attach or remove the retaining clamp. This will prevent the possibility of a loosened retainer clamp or metallic outlet cover making contact with the ac prongs of the power unit when partially withdrawn from outlet. Do not use retaining clamps on outlets where the cover mounting screw holds the duplex outlet in the box.**

**Warning:** Care should be taken to trim and dress leads connecting to low voltage output terminals of 95B1 power unit to assure that inadvertent connection to conducting surfaces or other power source does not occur. If more than one power unit is plugged into a multiple receptacle power strip, there must be at least one inch separation between power units. Only UL listed receptacle power strips with adequate power rating shall be used. Use of a continuous terminal power strip that allows the secondary output terminals of the power unit to be in close proximity to the ac line source is not recommended.

**Note:** The 95B1 power unit must be located no closer than 1-1/2 feet from the telephone set in order to prevent a noise problem.

**3.04** The station number card shall be placed in the plastic fingerwheel of the dial. The silver disc provided with the dial shall be retained under the number card.

**3.05** The directory sheets (Fig. 2) fit over the buttons of the memory and are held in place

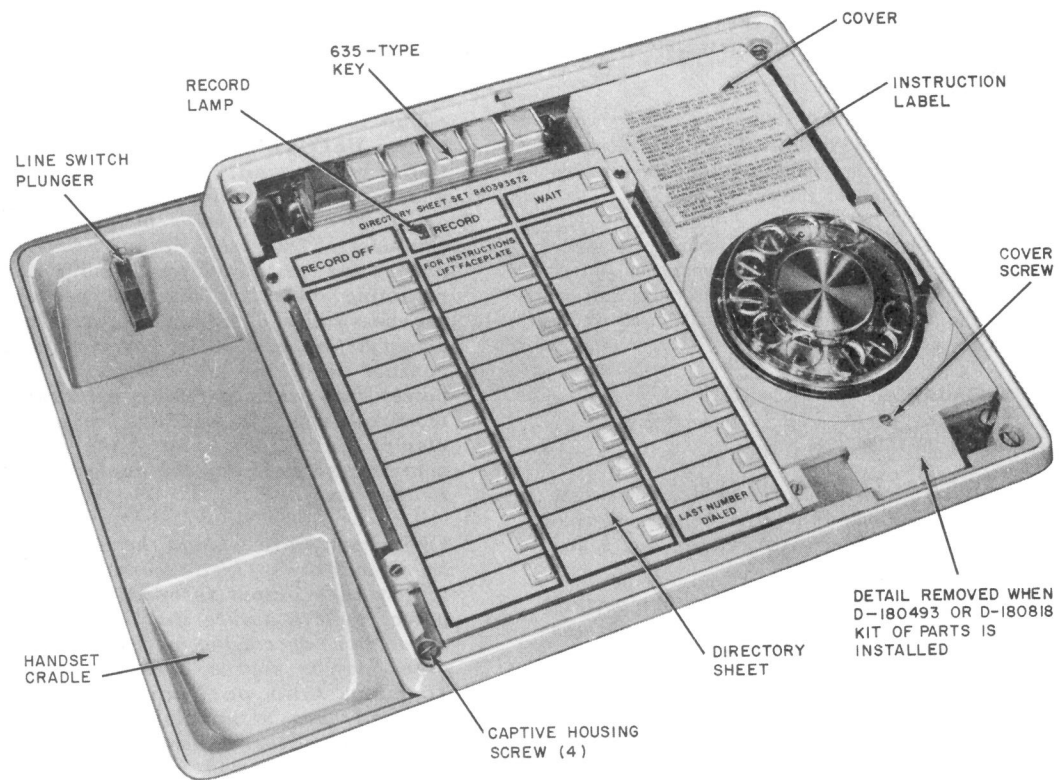


Fig. 2—872A1M Telephone Set—Faceplate and Handset Removed

by the faceplate. Additional sheets are available in directory sheet set, 840393672.

**3.06** To designate the 635-type 6-button key.

- (1) Use Form 5837 tabs.
- (2) Squeeze the key button caps gently and remove.
- (3) Insert the tabs.
- (4) Replace the caps so that small bumps on side of caps are on sides of buttons.

**Installation Check Procedure**

**3.07** Check telephone set installation per the following tests (refer to Part 5 for operation). In case of failure, refer to Table N, Trouble Analysis.

- (1) Disconnect the power unit and manually dial a known telephone number to check that the telephone operates correctly in the absence of commercial power.
- (2) Reconnect the power unit to ac outlet.
- (3) With the handset on-hook, record known telephone numbers, storing consecutive digits of the numbers in sequential memory locations.



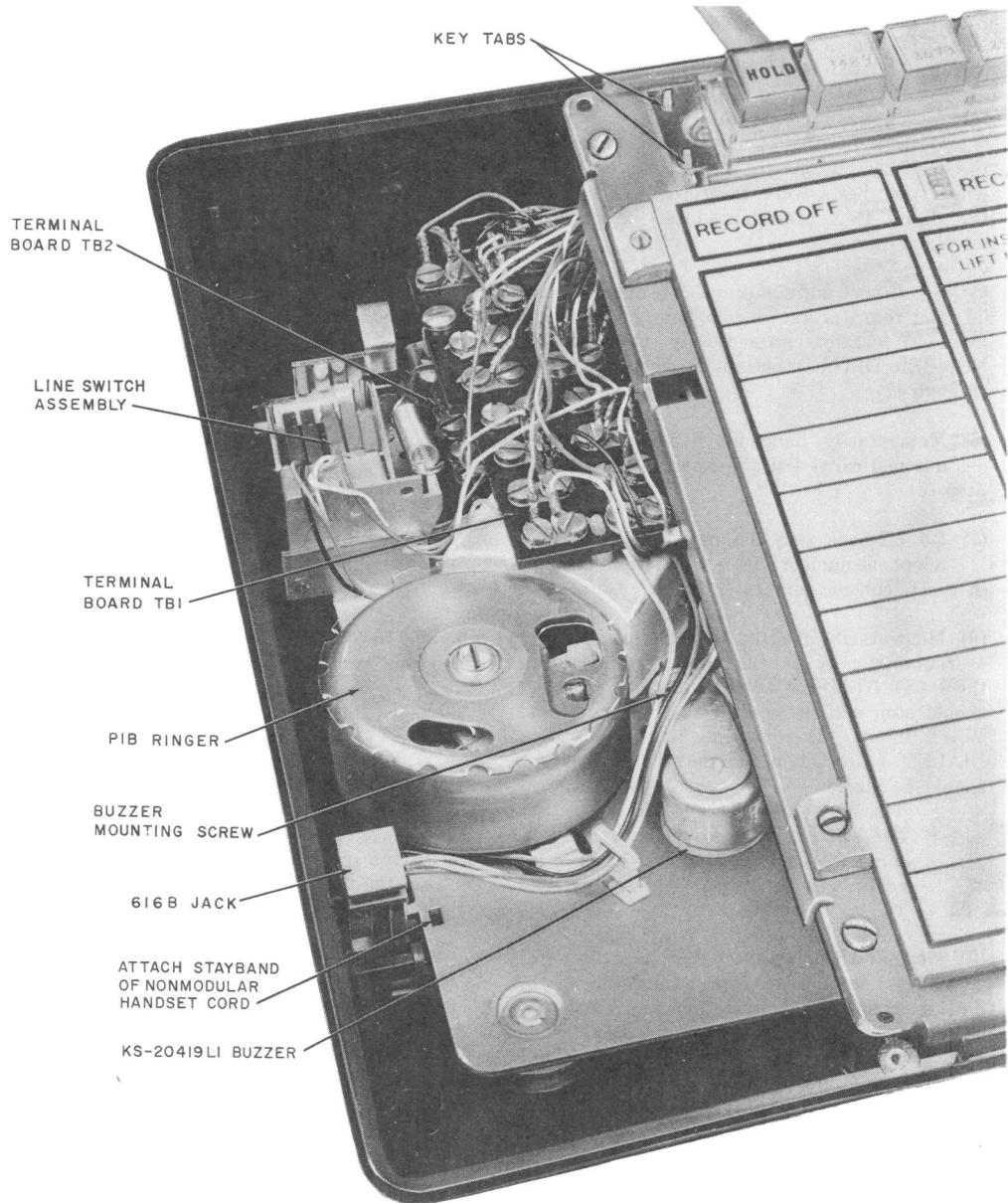


Fig. 3—872A1M Telephone Set With Faceplate, Upper Housing, Handset, and Handset Cradle Removed

Fill all memory locations except LAST NUMBER DIALED and location immediately above it [paragraph 5.01 (4) through (7)].

(4) Automatically dial the telephone numbers stored in Step (3) by momentarily depressing the memory buttons in the same sequence in which the digits were recorded. Verify that the digits thus dialed produce the expected telephone numbers.

(5) Go off-hook and simultaneously manually dial and record a known telephone number into memory location immediately above LAST NUMBER DIALED button [paragraph 5.01 (4) through (7)].

(6) Momentarily hang up handset and then automatically dial the number recorded in Step (5).

(7) Go off-hook and manually dial a known telephone number with a WAIT input inserted in the telephone number.

(8) Momentarily hang up the handset and then automatically dial the number by depressing the LAST NUMBER DIALED button. The set should stop dialing when it reaches the stored WAIT input. Depress the LAST NUMBER DIALED button again and the remaining digits should be dialed.



***The battery and power unit must be connected a minimum of five minutes before doing Step (9).***

(9) Momentarily disconnect the power unit (for 5 to 10 seconds). After reconnecting power unit, momentarily depress memory buttons in same sequence in which digits were recorded in Step (3). Verify that the correct telephone numbers are dialed.

(10) Dial the appropriate code for ring-back to test the ringer.

(11) Check operation of the logic reset switch by pressing the RECORD button (RECORD lamp will come on) and subsequently pressing an unoperated line button. (RECORD lamp must go out.)

(12) If equipped with one-touch calling option, (D-180493 Kit of Parts and speakerphone), and with set in on-hook condition, depress the memory button used in Step (5). The speakerphone should turn on, dial tone should be detected, and the stored number should be automatically dialed.

## OPTIONAL APPARATUS INSTALLATION

### A. D-180568 Kit of Parts (With Speakerphone)

#### 3.08 To install.

(1) Proceed as described in paragraph 3.17.

(2) Make connections per one of the appropriate Tables, B through E.

(3) Mount the kit assembly to the chassis with the screws provided (Fig. 4). Beveled corner of printed wiring board (PWB) should be at lower right corner.

### B. D-180493 Kit of Parts (Dial Tone Detector and One-Touch Calling Switch)

#### 3.09 To install.

(1) Remove the housing (paragraph 3.21), and access PSB terminal board (paragraph 3.17).

(2) Insert the board assembly from the back of the set and locate as shown in Fig. 4, such that the two tabs on the board assembly fit into the slots in the bottom of the chassis.

(3) Lock the board into position by inserting the self-threading screw through the right side of the chassis.

(4) Mount the one-touch calling switch below the dial with the two screws provided.

**Note:** If switch for D-180818 Kit of Parts is already present, the one-touch calling switch can not be installed. The PSB terminals to which the switch leads are normally connected (Table C or E), shall be strapped together. (The one-touch calling option can not be turned off by the subscriber.)

(5) Make connections per Table C, E, or F.

◆ TABLE B ◆

## CONNECTIONS – 872A1M TELEPHONE SET WITH 3B (MD) SPEAKERPHONE ONLY

APPARATUS	LEAD		872A1M TEL. SET (NOTE 1)		CONNECT		
	DESIG	COLOR			FROM		TO
					CONT UNIT		149B ADPT (DIOR CORD)
	FROM	TO PSB TERM.	55A	55B	TERM.		
872A1M Tel Set	T1	V-G	*	2	19	1	8A
	R1	G-V	*	9	28	10	7A
	A1				12	2	A1
	AG	V-S	*	L2†	5	11	12A
	LK	S-V	*	13	11	35	11A
	P3	V-BR	*	3	21	4	10A
	P4	BR-V	*	6	30	13	9A
	R or R1				18	34	1B
	R or R1				9	25	1A
	B or B1				17	33	2B
	B or B1				8	24	2A
D-180568 Kit of Parts	LK	BL-R		13			
	SHi	G-W		14			
	SHa	R-BL		16			
	VDD	W-G		17			
666B (MD) TRMTR (T7A Cord)	M1	S-BK			4	7	
	P1	BL-R			13	8	
	-15V	BK-S			14	16	
	S	O-BK			3	18	
	A1	Y-O			29	19	
	F1	G-Y			2	17	
	LK	BK-O			11	35	
760A (MD) Lspk (R2FK Cord)	SP1	G			34	20	
	SP2	R			33‡	29‡	
95B1 Pwr Unit	AC1						3B§
	AC2						4B§
2012B (MD) or 2012D Trnsf	AC1				27	27	
	AC2				36	36	

Note: Plug telephone set mounting cord into 149B adapter.

\*Insulated and stored.

†Terminal on network.

‡To reduce loudspeaker volume, move SP2 lead to terminal 24(55A) or 30(55B).

§Insulate and store (BL-V) and (V-BL) leads in connector cable.

◆TABLE C◆

## CONNECTIONS – 872A1M TELEPHONE SET WITH ONE-TOUCH CALLING USING 3B (MD) SPEAKERPHONE

APPARATUS	LEAD		872A1M TEL SET (NOTE 1)		CONNECT			CONN CABLE AT KEY EQUIP.	
	DESIG	COLOR			FROM		TO		
					CONT UNIT		149B ADPT (DIOR CORD)		
	FROM	TO PSB TERM.	55A	55B	TERM.	COLOR	TO		
Tel Set	T1	V-G	*	2	19	1	8A	O-V	*
	R1	G-V	*	9	28	10	7A		
	A1				12	2	A1		
	AG	V-S	*	L2†	5	11	12A		
	LK	S-V	*	13	11	35	11A		
	SPO	O-V	*	21	3	18	5B		
	P3	V-BR	*	3	21	4	10A		
	P4	BR-V	*	6	30	13	9A		
	R or R1				18	34	1B		
	R or R1				9	25	1A		
	B or B1				17	33	2B		
	B or B1				8	24	2A		
	STRAP	BK	PSB-11	*					
	STRAP	BK	PSB-18	*					
STRAP	BK	PSB-23	*						
D-180493 Kit of Parts (Note 2)	INPUT	G-R		2					
	PB	O-BK		7					
	INPUT	G-R		9					
	DT	O-Y		11					
	LK	Y-G		13					
	VDD	R-O		17					
	SPR	Y-BL		18					
	DR	Y-O		19					
	COM	BK-O		20					
	SPO	G-Y		21					
	PL	O-R		22					
	DTT	BL-Y		23					
	Switch	S		15					
S			20						
D-180568 Kit of Parts	LK	BL-R		13					
	SHi	G-W		14					
	SHa	R-BL		16					
	VDD	W-G		17					

◆ TABLE C (Contd) ◆

CONNECTIONS – 872A1M TELEPHONE SET WITH ONE-TOUCH CALLING USING 3B (MD) SPEAKERPHONE

APPARATUS	LEAD		872A1M TEL SET (NOTE 1)		CONNECT			CONN CABLE AT KEY EQUIP.	
	DESIG	COLOR			FROM		TO		
					CONT UNIT		149B ADPT (DIOR CORD)		
	FROM	TO PSB TERM.	55A	55B	TERM.	COLOR	TO		
666B (MD TRMTR (T7A Cord)	M1	S-BK			4	7			
	P1	BL-R			13	8			
	-15V	BK-S			14	16			
	S	O-BK			3	18			
	A1	Y-O			29	19			
	F1	G-Y			2	17			
	LK	BK-O			11	35			
760A (MD Lspk (R2FK Cord)	SP1	G			34	20			
	SP2	R			33‡	29‡			
95B1 Pwr Unit	AC1						3B	BL-V	*
	AC2						4B	V-BL	*
2012B (MD) or 2012D Trnsf	AC1				27	27			
	AC2				36	36			

Note 1: Plug telephone set mounting cord into 149B adapter.

Note 2: All dial tones encountered in the process of placing a call must be precise TOUCH-TONE dial tone.

\*Insulated and stored.

†Terminal on network.

‡To reduce loudspeaker volume, move SP2 lead to terminal 24 (55A) or 30 (55B).

(6) Break off the detail at the bottom of the cover (Fig. 2) and trim edge as required.

(7) Verify correct operation of option.

(8) Reassemble set.

**C. D-180494 Kit of Parts (2/4-Wire Service)**

**3.10** To install.

(1) Proceed as described in paragraph 3.17.

(2) Make connections per Table G.

(3) Mount the kit assembly to the chassis with the screws provided (Fig. 4).

**D. D-180818 Kit of Parts (Record Disable and Dial Intermix Features)**

**3.11** To install.

(1) Remove faceplate (paragraph 3.19).

(2) Loosen the captive screw at the bottom of the cover around the dial and remove the cover. Refer to paragraph 3.16(4).

(3) Disengage the four captive memory mounting screws (Fig. 4).

(4) Remove the two dial mounting screws and move dial aside.

(5) Rotate left edge of memory upward as shown by Fig. 5.

TABLE D

## CONNECTIONS—872A1M TELEPHONE SET WITH 4A SPEAKERPHONE ONLY USING 82B CONNECTING BLOCK

APPARATUS	LEAD		872A1M TEL SET		82B CONN BLK (NOTE 1)	CONN CABLE AT KEY EQUIP	
	DESIG.	COLOR	FROM	TO PSB TERM.		COLOR	TO
872A1M Tel Set	T1	V-G	*	2	(Note 2)		
	R1	G-V	*	9			
	A1						
	AG	V-S	*	L2†			
	LK	S-V	*	13			
	P3	V-BR	*	3			
	P4	BR-V	*	6			
D-180568 Kit of Parts	LK	BL-R		13			
	SHi	G-W		14			
	SHa	R-BL		16			
	VDD	W-G		17			
‡	85B1 POWER UNIT	AC1	BK		AC1		
		AC2	Y		AC2		
	95B-TYPE POWER UNIT	AC1	R		21	BL-V	*
		AC2	G		46	V-B95	*
§	85B1 POWER UNIT	AC1			Strap AC1 to 24	BR-V	AC1
		AC2			Strap AC2 to 49	V-BR	AC2
	95B1 POWER UNIT	AC1				BL-V	AC1
		AC2				V-BL	AC2

Note 1. Plug mounting cords of telephone set, 108-type loudspeaker, and 680-type transmitter into 82B connecting block. Install option plug in ringer cutoff mode.

Note 2. For 1A1 or 1A2 KTS, connect link between 2 and A1. For 1A KTS, connect link between 19 and A1.

\*Insulated and stored.

†Terminal on network.

‡Preferred power connections.

§Alternate power connections.

**Note:** If set is equipped with an 870A Memory, replace it with an 870B Memory, and carefully pack and return the old memory according to local procedures.

- (6) Mount switch below dial using the two screws provided (Fig. 4).

**Note:** If the one-touch calling switch (D-180493 Kit of Parts) is already present, it must be

removed. The PSB terminals to which the switch leads were connected (Table C or E), must be strapped together. (The one-touch calling option can no longer be turned off by the subscriber.)

- (7) Connect switch lead connectors to post terminals on memory board per Table L and Fig. 6.

♦ TABLE E ♦

**CONNECTIONS – 872A1M TELEPHONE SET WITH ONE-TOUCH CALLING  
USING 4A SPEAKERPHONE**

APPARATUS	LEAD		872A1M TEL SET		82B CONN BLK (NOTE 1)	CONN CABLE AT KEY EQUIP.	
	DESIG	COLOR	FROM	TO PSB TERM		COLOR	TO
872A1M Tel Set	T1	V-G	*	2	(Note 2)		
	R1	G-V	*	9			
	A1						
	AG	V-S	*	L2†			
	LK	S-V	*	13			
	SPO	O-V	*	21	Strap 10 to 35	O-V	*
	P3	V-BR	*	3			
	P4	BR-V	*	6			
	Strap	BK	PSB-11	*			
	Strap	BK	PSB-18	*			
	Strap	BK	PSB-23	*			
D-180493 Kit of Parts (Note 3)	Input	G-R		2			
	PB	O-BK		7			
	Input	G-R		9			
	DT	O-Y		11			
	LK	Y-G		13			
	VDD	R-O		17			
	SPR	Y-BL		18			
	DR	Y-O		19			
	COM	BK-O		20			
	SPO	G-Y		21			
	PL	O-R		22			
	DTT	BL-Y		23			
	Switch	S		15			
S			20				
D-180568 Kit of Parts	LK	BL-R		13			
	SHi	G-W		14			
	SHa	R-BL		16			
	VDD	W-G		17			

◆TABLE E (Contd)◆

**CONNECTIONS – 872A1M TELEPHONE SET WITH ONE-TOUCH CALLING  
USING 4A SPEAKERPHONE**

APPARATUS		LEAD		872A1M TEL SET		82B CONN BLK (NOTE 1)	CONN CABLE AT KEY EQUIP.	
		DESIG	COLOR	FROM	TO PSB TERM		COLOR	TO
‡	85B1 PWR Unit	AC1	BK			AC1		
		AC2	Y			AC2		
	95B-Type PWR Unit	AC1	R			21	BL-V	*
		AC2	G			46	V-BL	*
§	85B1 PWR Unit	AC1				Strap 24-AC1	BR-V	AC1
		AC2				Strap 49-AC2	V-BR	AC2
	95B1 PWR Unit	AC1					BL-V	AC1
		AC2					V-BL	AC2

*Note 1:* Plug mounting cords of telephone set, 108-type loudspeaker, and 680 type transmitter into 82B connecting block. Install option plug in ringer cutoff mode.

*Note 2:* For 1A1 or 1A2 KTS, connect link between 2 and A1. For 1A KTS, connect link between 19 and A1.

*Note 3:* All dial tones encountered in placing a call must be precise TOUCH-TONE dial tone.

\* Insulated and stored.

† Terminal on network.

‡ Preferred power connections.

§ Alternate power connections.

- (8) With feature switch in OFF position, verify that set operates in normal manner.
- Numbers can be recorded into memory
  - Numbers can be changed
  - Numbers can be deleted from memory.
- (9) Set feature switch to ON position and verify feature provided.
- Record disable feature, only.
    - (a) RECORD lamp will not light when RECORD button is depressed.
    - (b) No telephone numbers can be recorded, changed, or deleted in memory.
  - (c) LAST NUMBER DIALED feature is operative.
    - Record disable and dial intermix features.
      - (a) RECORD lamp will not light when RECORD button is depressed.
      - (b) No telephone numbers can be recorded, changed, or deleted in memory.
      - (c) LAST NUMBER DIALED feature is disabled.
      - (d) Manually and automatically dialed digits may be intermixed.
- (10) Reassemble set



TABLE F

**CONNECTIONS – 872A1M TELEPHONE SET  
WITH DIAL TONE DETECTOR ONLY (SEE NOTE)**

APPARATUS	LEAD		872A1M TEL SET	
	DESIG	COLOR	FROM PSB TERM.	TO PSB TERM.
872A1M Tel Set	Strap	BK	11	*
	Strap	BK	23	*
D-180493 Kit of Parts	Input	G-R		2
	PB	O-BK		7
	Input	G-R		9
	DT	O-Y		11
	LK	Y-G		*
	VDD	R-O		17
	SPR	Y-BL		*
	DR	Y-O		19
	COM	BK-O		20
	SPO	G-Y		*
	PL	O-R		22
	DTT	BL-Y		23
	Switch †	S		*
	S		*	

*Note:* May be used for applications where first dial tone is not precise (350 Hz and 440 Hz) but all subsequent dial tones must be precise if number is to be dialed automatically.

\*Insulate and store.

†Switch not required when speakerphone is not provided.

#### E. Single-Line Service

**3.12** The 870A2M TOUCH-A-MATIC telephone set is available from the factory as a modular single line set. However, with the addition of an 870B1 faceplate, the 872A1M telephone set may be converted to single line service as follows.

- (1) Remove the faceplate, key collar, and all buttons of the 635-type key.
- (2) Gain access to terminal area (paragraph 3.17).
- (3) Remove the cradle (paragraph 3.20).
- (4) Make connections per Table H.

- (5) Reassemble set and install an 870B1 faceplate of the appropriate color.

*Note:* If set was originally equipped with an 872A1-87 faceplate, refer to paragraph 6.11.

#### F. Head Telephone Set

**3.13** To install.

- (1) Remove housing (paragraph 3.21).
- (2) Access PSB terminal area (paragraph 3.17).
- (3) Remove cradle (paragraph 3.20).
- (4) Thread jackset cord through hole in rear of housing and make connections per appropriate table provided with Plantronics Jackset.

TABLE G

## CONNECTIONS FOR 2/4-WIRE SERVICE

APPARATUS	COLOR	REMOVE FROM	CONNECT TO
872A1M Tel Set	BK-G	GN	L1
	BK	R	*
	BR-V	*	PSB-13
	V-BR	*	PSB-21
D-180494 Kit of Parts	V		T
	S		L2
	BR		*
	Y-BR		L1
	BL-R		GN
	G-BK		PSB-13
	R-BR		R
	R-O		S
BL-Y		PSB-21	

\*Insulate and store.

TABLE H

## CONNECTIONS FOR CONVERSION TO SINGLE LINE SERVICE WITH BRIDGED RINGING

LEAD		REMOVE FROM	CONNECT TO
DESIG	COLOR		
Tip	W-BL	(1 PU-3)*	Net. K
Ring	BL-W	(1 PU-6)*	TB1-13
B1	Y-S	Net. K	*
R1	S-Y	TB1-13	*
A-Lead	W-O	(1 PU-1)*	TB1-1
Hold	Y-BL	TB1-3	*
LRS-1	W	PSB-20	*

\*Insulate and store.

TABLE I

## CONVERSION TO BRIDGED RINGING ON FIRST LINE WITH 6-BUTTON KEY SERVICE

LEAD		REMOVE FROM	CONNECT TO
DESIG	COLOR		
Tip	W-BL	(1 PU-3)*	Net. K
Ring	BL-W	(1 PU-6)*	TB1-13
B1	Y-S	Net. K	*
R1	S-Y	TB1-13	*

\*Insulate and store.

(5) Reassemble telephone set.

(6) Insert head telephone set plug into jackset.



Other optional components may be used such as SPOKESMAN®, loudspeaker sets, etc. Refer to the appropriate section for connection information for these components.

## COMPONENT LOCATION AND ACCESS INFORMATION

## A. Location of Components

3.14 The components are located in three areas as follows.

(a) Under the handset cradle (Fig. 3):

- Buzzer
- Ringer
- Line switch assembly
- Handset jack
- Terminal boards (TB1 and TB2).

(b) Under the faceplate, inside the set (Fig. 4 and 5):

- Battery jack (Fig. 5)
- Power supply board (PSB) terminal area (Fig. 4)
- Network (Fig. 4)
- Options (Fig. 4):

D-180568 (relay kit for speakerphone)

D-180493 (dial tone detector and one-touch calling switch kit)

D-180494 (2/4-wire relay kit)

D-180818 (record disable and dial intermix switch) Fig. 6.

(c) Under the telephone set (Fig. 7):

- Battery.

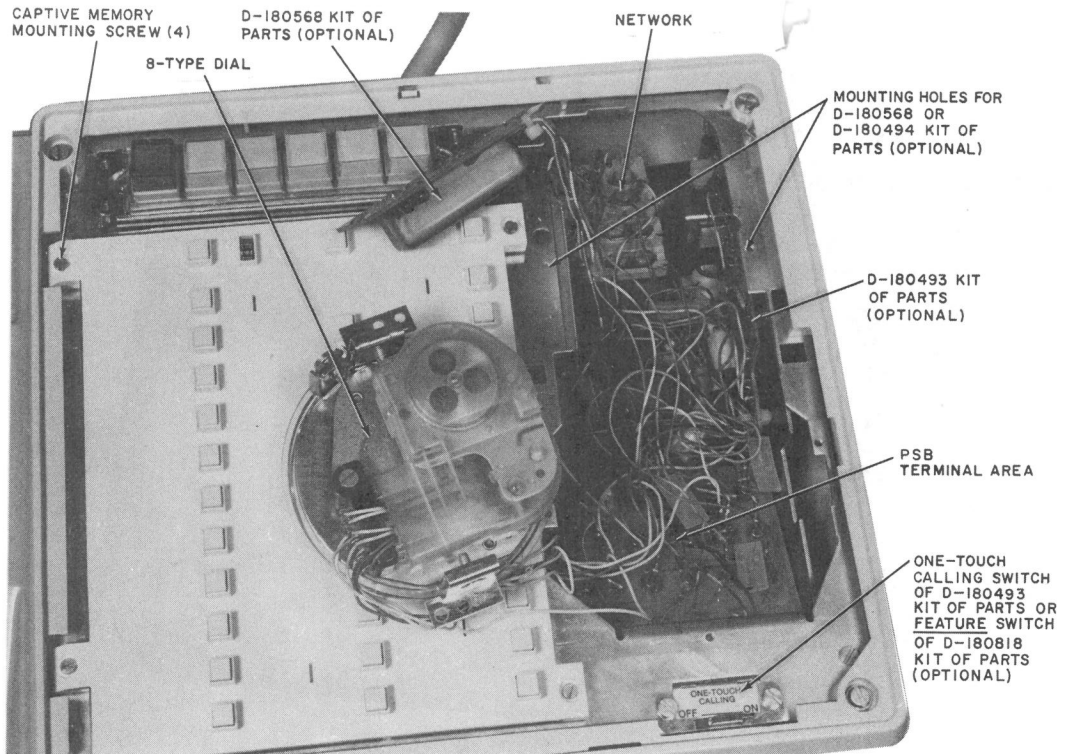


Fig. 4—872A1M Telephone Set—Dial Removed To Show Terminal Area

#### B. Mounting Cord

3.15 The D50BB-87 mounting cord is amphenol ended at the equipment end and equipped with 508-type plugs for terminating on the back of the 635-type module at the telephone set end. The conductors terminated in the 508-type plugs provide the major line service requirements. Spade-tipped conductors are provided for auxiliary control functions or options and are terminated directly on associated equipment, terminal boards, or stored.

**Note:** Sets manufactured prior to fourth quarter 1976 were equipped with D50AM-87 mounting cords. The major difference in the cords is that TIP and RING contact strips were required with the D50AM-87, whereas individual conductors of the D50BB-87 connect

to the TIP and RING contacts of the 635-type key.

#### C. Network Terminals

3.16 For access to the network terminals.

- (1) Remove the faceplate (paragraph 3.19).
- (2) Loosen the captive cover screw at the bottom of the white cover around the dial (Fig. 2).
- (3) Remove the cover.
- (4) To replace the cover, the three tabs of the cover (one at the top center and one at each side just above the dial) must be aligned with holes in the chassis before the screw is refastened.

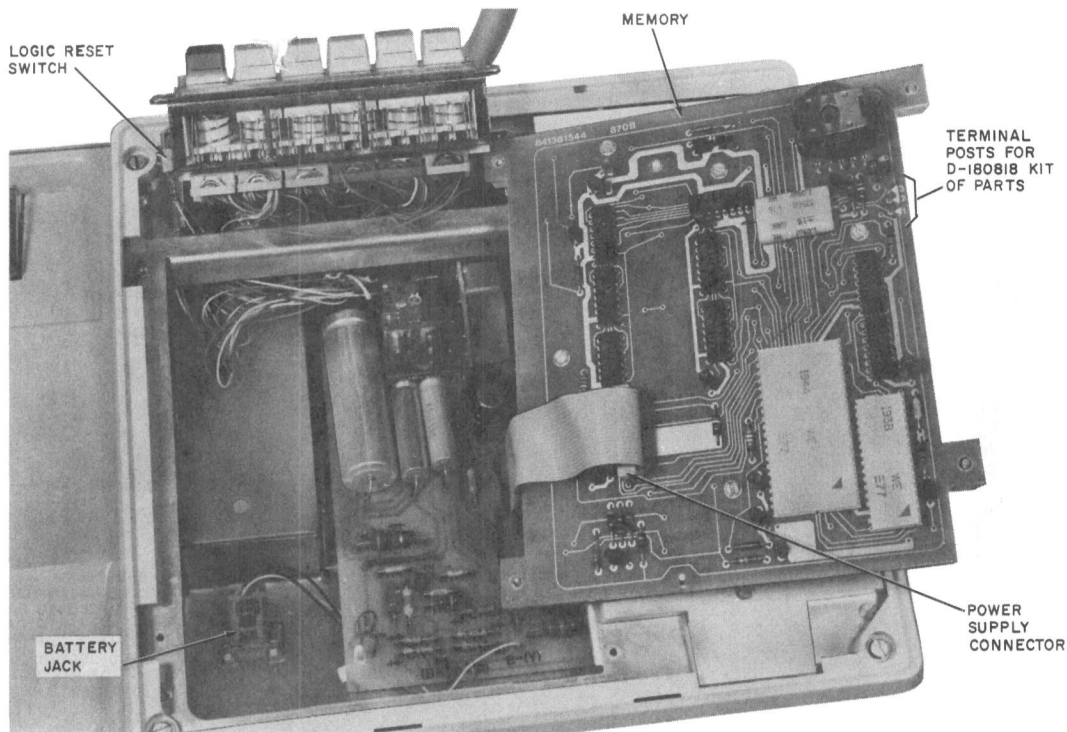


Fig. 5—872A1M Telephone Set, Overall Internal View

Failure to do this will result in improper seating of the faceplate.

#### D. Power Supply Board (PSB) Terminals

3.17 To access the terminal field on the power supply board, proceed as follows.

- (1) Remove the faceplate (paragraph 3.19).
- (2) Loosen the captive cover screw at the bottom of the white cover around the dial (Fig. 2).
- (3) Remove the cover.
- (4) Remove the two screws that hold the dial in place.
- (5) Gently raise the dial and move aside.

(6) To reassemble, reverse procedure.

(7) To replace the cover, the three tabs of the cover (one at the top center and one at each side just above the dial) must be aligned with holes in the chassis before the screw is refastened. Failure to do this will result in improper seating of the faceplate.

#### E. Line Key Removal

3.18 To remove, use the following procedure.

- (1) Remove faceplate (paragraph 3.19).
- (2) Push the key toward the rear of the set to unlock it from the tabs.
- (3) Raise the metal plate of the key just above the tabs and move the key toward the left,

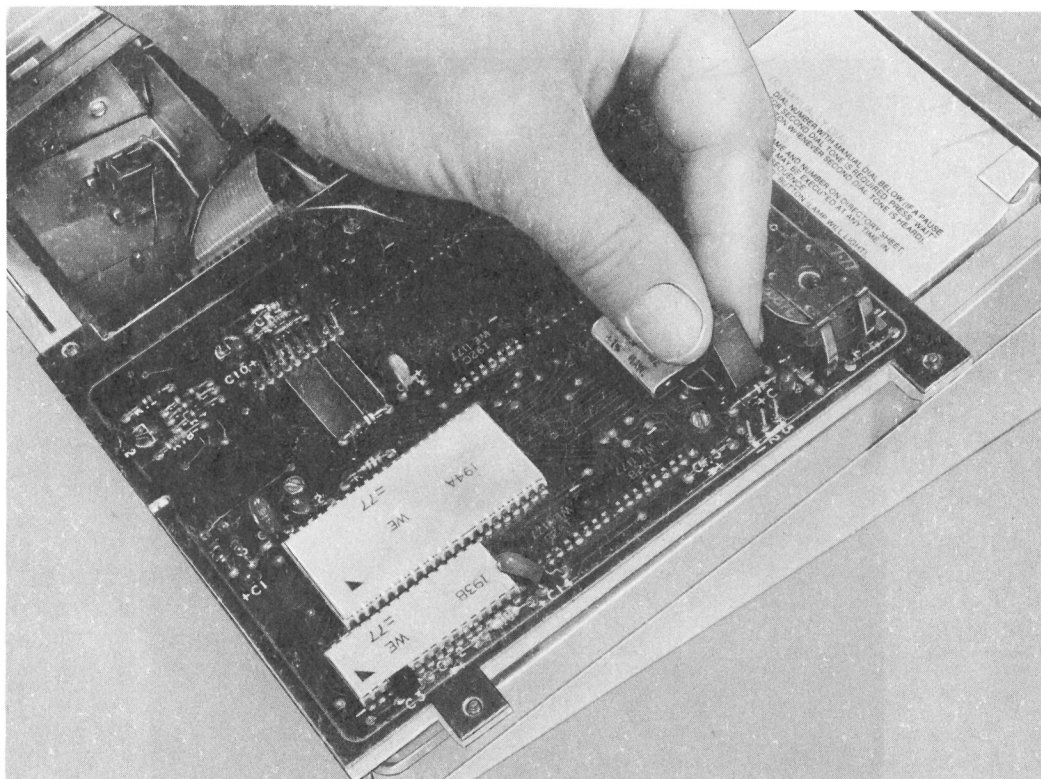


Fig. 6—872A1M Telephone Set Connections of D-180818 Kit of Parts, Record Disable Feature Only

then raise the right end of the key until it clears the chassis of the set.

**Warning:** Do not damage contact strips which protrude from the right side of the key or logic reset switch attached on HOLD side of key. (Contact strips will only be found on sets equipped with D50AM-87 mounting cords.)

- (4) Lift the key completely out of the set.
- (5) Replace key by reverse procedure.

#### F. Faceplate Removal

3.19 Removal will differ depending on faceplate provided.

- (a) The 872B1-type faceplate is held in place by a spring clip attached to the 870A1U upper housing. To disengage the faceplate, lift up on the tab which protrudes from the center of the back edge of the faceplate.

**Note:** The 872B1 faceplate is not a direct replacement for the 872A1-87 faceplate. An 870A1U upper housing is also required with the 872B1 faceplate (paragraph 6.11).

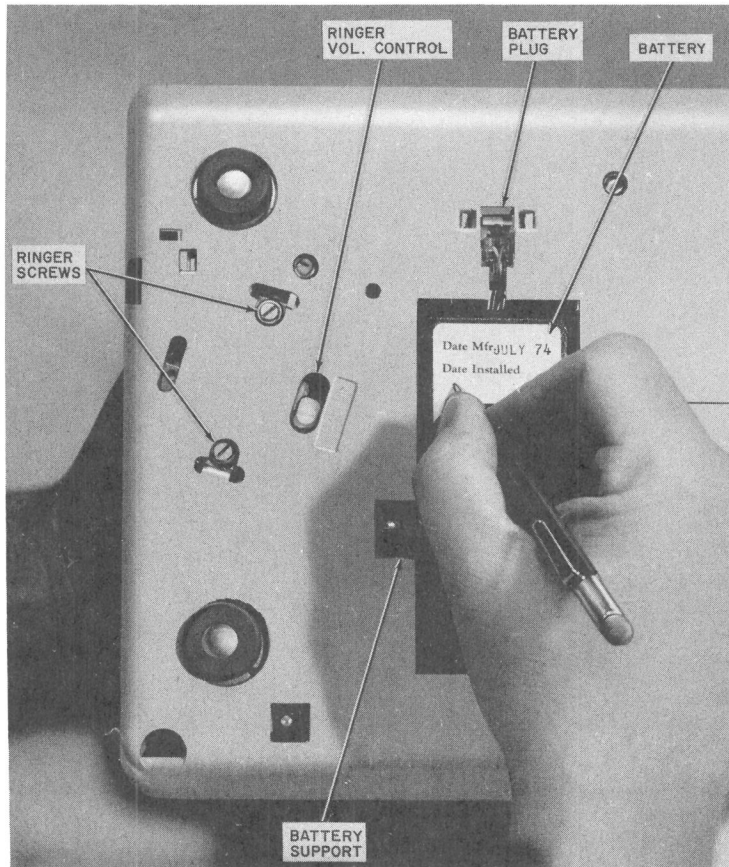


Fig. 7—872A1M Telephone Set, Bottom View

(b) The 872A1-87 faceplate is held in place by two snaps bonded to the faceplate and aligned to fit holes in the chassis. To remove the faceplate, grasp it by any convenient edges and lift.

#### G. Handset Cradle Removal

**3.20** To remove the handset cradle from the housing, proceed as follows.

(1) Remove the faceplate (paragraph 3.19), and place the handset aside.

(2) Remove upper housing, if provided, [paragraph 3.21(b)].

(3) Disengage the captive cradle screws (if provided) located in the two tabs on the cradle (Fig. 2).

(4) Lift the cradle by pulling up on the line switch plunger, and remove.

(5) Replace the handset cradle by sliding it sideways to engage the clips with the mating tabs in the side of the housing.

**Warning:** *The line switch plunger must be held from the top side of the cradle as it is slid into position to prevent damage to the line switch arm.*

- (6) Refasten the captive cradle screws, if provided.

#### H. Housing Removal

3.21 To remove, proceed as follows.

##### (a) Lower housing.

- (1) Unplug the handset cord, at the telephone set end, and remove handset.
- (2) Remove the faceplate (paragraph 3.19).
- (3) Remove the handset cradle (paragraph 3.20).

**Warning:** *Attempting to remove the housing without removing the handset cradle may damage the line switch arm.*

- (4) Disengage the four captive housing screws, (Fig. 2), one located in each corner of the upper housing.
- (5) Separate the housing from the telephone set base.
- (6) Feed mounting cord through hole in bottom of housing as housing is removed.
- (7) Before replacing the housing, lift the set to check that the shoulders of the battery jack are against the two tabs of the chassis. Misalignment may cause the bottom of the housing to bow.
- (8) When replacing the housing, keep the handset jack from being trapped between the housing and chassis.

##### (b) Upper housing.

- (1) Remove the faceplate (paragraph 3.19).
- (2) Disengage the captive housing screws located in each corner of the upper

housing, (Fig. 2). This will release the lower housing.

- (3) Pull the upper housing away from the chassis as each housing screw is backed out. This will separate the upper housing from the chassis.

- (4) If necessary, back screws out of upper housing.

- (5) To reassemble, reverse procedure.

#### 4. CONNECTIONS

- 4.01 Telephone set connections are shown in Fig. 9 and Table J.

**Caution:** *Some conductor assignments are not standard (Table J).*

- 4.02 Refer to Table A for connection information for all options.

- 4.03 A partial functional schematic is shown in Fig. 15.

#### 5. OPERATION

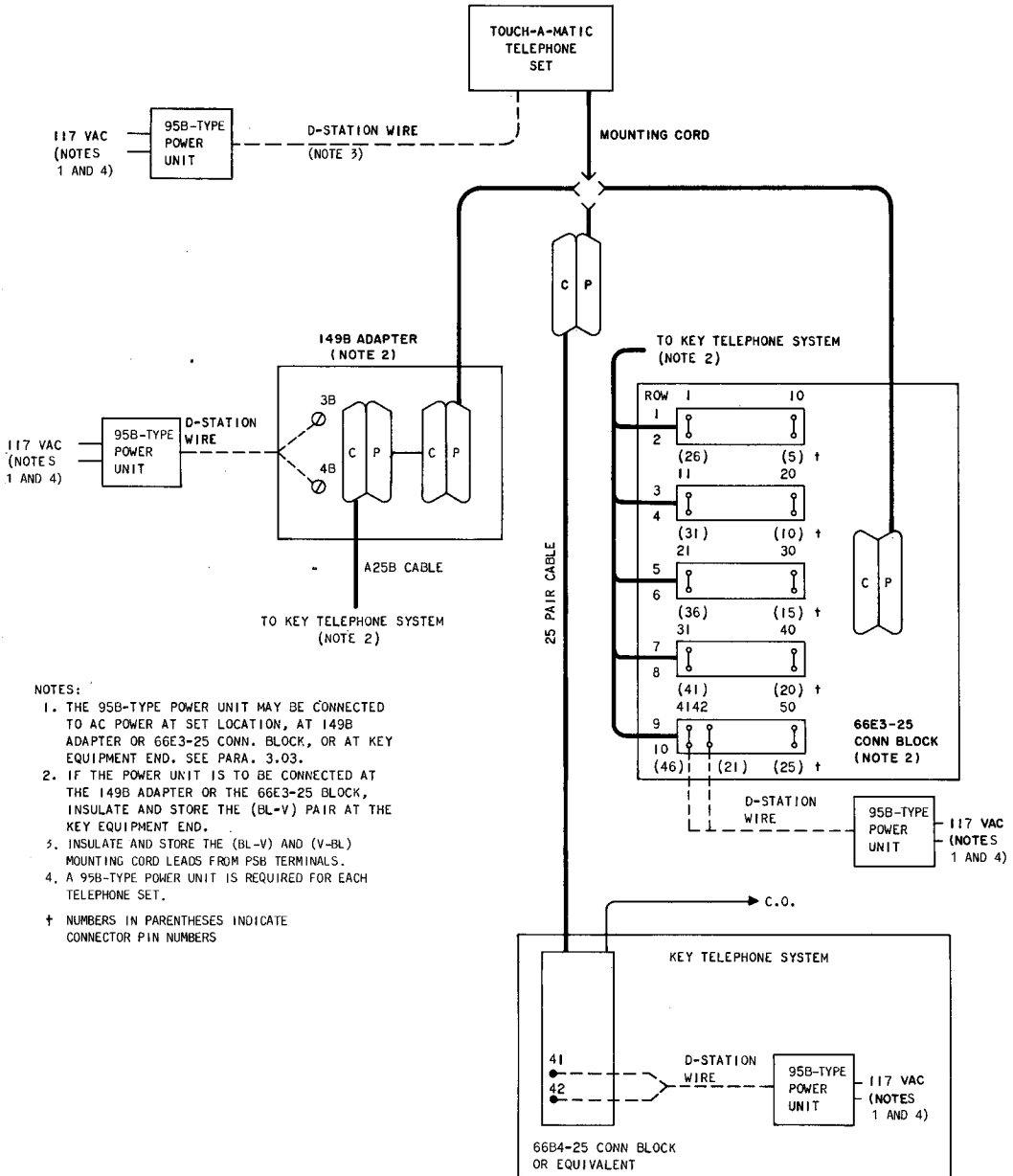
##### A. Record A Number Into Memory

**Note;** *If telephone set is equipped with D-180818 Kit of Parts, switch must be in the OFF position.*

- 5.01 To record.

- (1) Remove the faceplate (paragraph 3.19).
- (2) Write or type the desired name and telephone number for a selected memory button on the associated position of the directory sheet.
- (3) Replace the faceplate.
- (4) Depress the RECORD button. The RECORD lamp adjacent to the RECORD button will light. (A number can be called and recorded simultaneously by lifting handset before depressing the RECORD button.)

**Note:** *If set is equipped with the D-180818 Kit of Parts, feature switch must be in the OFF position.*



NOTES:

1. THE 95B-TYPE POWER UNIT MAY BE CONNECTED TO AC POWER AT SET LOCATION, AT 149B ADAPTER OR 66E3-25 CONN. BLOCK, OR AT KEY EQUIPMENT END. SEE PARA. 3.03.
  2. IF THE POWER UNIT IS TO BE CONNECTED AT THE 149B ADAPTER OR THE 66E3-25 BLOCK, INSULATE AND STORE THE (BL-V) PAIR AT THE KEY EQUIPMENT END.
  3. INSULATE AND STORE THE (BL-V) AND (V-BL) MOUNTING CORD LEADS FROM PSB TERMINALS.
  4. A 95B-TYPE POWER UNIT IS REQUIRED FOR EACH TELEPHONE SET.
- † NUMBERS IN PARENTHESES INDICATE CONNECTOR PIN NUMBERS

Fig. 8—872A1M Telephone Set, Alternate Power Connection Method



(5) Depress the specific memory button adjacent to the desired telephone number listed on the directory sheet.

(6) Manually dial the desired telephone number. If an access code and a pause for second dial tone is required.

(a) Dial the access digit(s) for the outside line.

(b) Push the WAIT button when the RECORD lamp relights. (The WAIT entry counts as one digit.)

(c) Dial the telephone number.

**Note:** A number up to 15 digits in length may be recorded. The RECORD lamp will go out momentarily as each digit is dialed. If exactly 15 digits are recorded, the RECORD lamp will go out and stay out, indicating that the dialer has been reset. If a memory button has not been depressed, the RECORD lamp will go out when the first digit is dialed and recording operation will be voided.

(7) Depress the RECORD OFF button if less than 15 digits are recorded. The RECORD lamp will go out. The dialer will be reset. The number is now stored in the selected memory. The dialer can also be reset by a switchhook, line key, or speakerphone operation.

#### B. Change A Number In Memory

**Note:** If the telephone set is equipped with D-180818 Kit of Parts, switch must be in the OFF position.

**5.02** Whenever a new number is recorded in a previously used memory position, it will automatically replace the previously stored number.

#### C. Delete A Number From Memory

**Note:** If the telephone set is equipped with D-180818 Kit of Parts, switch must be in the OFF position.

**5.03** Complete the following operations in succession.

(1) Depress the RECORD button.

(2) Depress the memory button corresponding to the name and number to be deleted.

(3) Depress the RECORD OFF button.

#### D. Automatically Dial A Number From Memory

**5.04** To automatically dial a number.

(a) For factory-wired sets go off-hook, listen for dial tone, and depress the desired memory button. If a WAIT input has been recorded, automatic dialing will stop. When second dial tone is heard, depress memory button again to complete automatic dialing.

(b) For sets equipped with dial tone detector only, go off-hook, listen for dial tone and depress the memory button.

(c) For sets equipped with the one-touch calling option (with speakerphone and dial tone detector), simply depress the memory button.

#### E. LAST NUMBER DIALED Feature

**5.05** The TOUCH-A-MATIC telephone set automatically records into the LAST NUMBER DIALED position (Fig. 1) any number dialed using the standard telephone dial. Each number in the LAST NUMBER DIALED position is automatically replaced by the next number manually dialed. Although the unit is recording, the RECORD lamp does not light at any time during this operation.

**Note:** If telephone set is equipped with D-180818 Kit of Parts, and dial intermix feature is provided, LAST NUMBER DIALED feature is functional only when the feature switch is in the OFF position.

**5.06** Operation of LAST NUMBER DIALED feature.

(a) With no access digit(s) required.

(1) Go off-hook.

(2) Listen for dial tone.

(3) Manually dial telephone number.

(4) To redial same number automatically.

- (a) For factory-wired sets, go off-hook, listen for dial tone and depress LAST NUMBER DIALED button.
  - (b) For sets equipped with the dial tone detector only, go off-hook, listen for dial tone, and depress the LAST NUMBER DIALED button.
  - (c) For sets equipped with the one-touch calling option (with speakerphone and dial tone detector), simply depress the LAST NUMBER DIALED button.
- (b) When an access code and pause for second dial tone is required.
- (1) Go off-hook.
  - (2) Listen for dial tone.
  - (3) Dial access digit(s).
  - (4) Depress WAIT button, after second dial tone is heard.
  - (5) Manually dial telephone number.
  - (6) To redial same number automatically.
    - (a) For factory-wired sets, go off-hook, listen for dial tone and depress LAST NUMBER DIALED button. Automatic dialing will stop at the recorded WAIT input. When second dial tone is heard, depress LAST NUMBER DIALED button again to complete automatic dialing.
    - (b) For sets equipped with the dial tone detector only, go off-hook, listen for dial tone, and depress LAST NUMBER DIALED button.
    - (c) For sets equipped with the one-touch calling option (with speakerphone and dial tone detector), simply depress the LAST NUMBER DIALED button.

## 6. MAINTENANCE

**6.01** In case of power failure, the automatic dialing feature cannot be used. The battery retains the number associated with each of the memory

buttons for at least 24 hours. If power loss exceeds 24 hours, the numbers may have to be rerecorded.

### A. Trouble Analysis

**6.02** When trouble is encountered, the subsequent procedure should be followed.

- (1) Confirm improper operation either as a basic telephone set or as an automatic dialer (Part 5).
- (2) Check for improper connections.
- (3) Refer to table N, and the following paragraphs.
- (4) If removal of set is required, proceed as follows.
  - (a) ⚡Disconnect power unit from ac outlet and unplug battery.⚡
  - (b) Disconnect telephone set.
  - (c) Place battery plug sideways into housing slot below battery jack and tape into place.

**Warning: Failure to restrain plug can result in plug damage necessitating battery replacement.**

### B. Battery

**6.03** The KS-20390L4 or L2 battery has an expected life of about 4 years. It can be replaced without loss of memory provided commercial ac power to the set is continuously maintained. To replace the battery, proceed as follows (Fig. 7).

- (1) Tilt the front of the set up.
- (2) Unplug the battery.
- (3) Loosen the captive screw on the battery support.
- (4) Remove battery support.
- (5) Remove battery.
- (6) Install new battery.

(7) When battery has been connected at least five minutes, check memory retention by momentarily disconnecting ac power and then automatically dialing a known telephone number.

### C. Memory

**6.04** The memory may be replaced in the following manner.

(1) ⚡ Disconnect power unit from ac outlet and unplug battery.

**Note:** Removal of the memory or ac and battery power results in loss of stored telephone numbers.⚡

(2) Remove the faceplate (paragraph 3.19).

(3) Loosen the four captive memory mounting screws (Fig. 4).

(4) Rotate the left edge of the memory upward as shown in Fig. 5.

(5) Disengage the connector by pulling it perpendicular to the printed wiring board.

(6) Replace the memory. Do not twist the gray power supply cable. It should form a loop as shown in Fig. 5 when connected to the board.

(7) Reassemble set.

(8) ⚡ Reconnect battery and power unit⚡

(9) Test per paragraph 3.07.

(10) ⚡ Reprogram memory, see Part 5.⚡

### D. Dial

**6.05** To replace.

(1) ⚡ Disconnect power unit from ac outlet and unplug battery.

**Note:** Removal of ac and battery power results in loss of stored numbers.⚡

(2) Access PSB terminal area per paragraph 3.17.

(3) Disconnect dial leads and remove dial.

(4) Install new dial by reversing procedure.

(5) ⚡ Reconnect battery and power unit.

(6) Reprogram memory, see Part 5.⚡

### E. 6-Button Line Key

**6.06** To replace.

(1) ⚡ Disconnect power unit from ac outlet and unplug battery.

**Note:** Removal of ac and battery power results in loss of stored numbers.⚡

(2) Remove key per paragraph 3.18.

(3) Access PSB terminal area per paragraph 3.17.

(4) Disconnect logic reset leads from PSB terminals 10 and 20.

(5) Remove the 508-type plugs and (if provided) the two contact strips from the back of the key.

(6) Install new key.

(7) Reassemble the set.

(8) ⚡ Reconnect battery and power unit.⚡

(9) Test for operation of the logic reset switch [paragraph 3.07(11)].

(10) ⚡ Reprogram memory, see Part 5.⚡

### F. Ringer

**6.07** To replace.

(1) ⚡ Disconnect power unit from ac outlet and unplug battery.

**Note:** Removal of ac and battery power results in loss of stored numbers.⚡

(2) Remove the faceplate (paragraph 3.19) and place the handset aside.

(3) Remove upper housing, if provided, [paragraph 3.21(b)].

- (4) Remove the cradle (paragraph 3.20).
- (5) Disconnect the ringer leads (Fig. 9I).
- (6) Tilt the front of the set up.
- (7) Loosen ringer mounting screws (Fig. 7).
- (8) Remove ringer.
- (9) Install new ringer and assemble in reverse order. The leads should be routed as shown in Fig. 3 to prevent contact with the gong and subsequent dampening of the ringer output.
- (10) ♦Reassemble set.
- (11) Reconnect battery and power unit.
- (12) Dial ringback code to test ringer.
- (13) Reprogram memory, see Part 5.♦

#### G. Buzzer

##### 6.08 To replace.

- (1) ♦Disconnect power unit from ac outlet and unplug battery.  
  
*Note:* Removal of ac and battery power results in loss of stored numbers.♦
- (2) Remove the faceplate (paragraph 3.19) and place handset aside.
- (3) Remove upper housing, if provided, [paragraph 3.21(b)].
- (4) Remove the cradle (paragraph 3.20).
- (5) Remove the buzzer mounting screw.
- (6) Remove the mounting screw and spacer for TB1 (Fig. 3).
- (7) Move terminal board TB1 to gain access to the appropriate terminals on TB2.
- (8) Remove appropriate leads (Fig. 9H).
- (9) Reassemble. When replacing TB1, locate its tabs in the slots of the chassis before refastening the TB1 mounting screw.

- (10) ♦Reconnect battery and power unit.
- (11) Reprogram memory, see Part 5.♦

#### H. Handset Jack

##### 6.09 To replace.

- (1) ♦Disconnect power unit from ac outlet and unplug battery.  
  
*Note:* Removal of ac and battery power results in loss of stored numbers.♦
- (2) Remove the faceplate (paragraph 3.19) and place handset aside.
- (3) Remove upper housing, if provided, [paragraph 3.21(b)].
- (4) Remove the cradle (paragraph 3.20).
- (5) Remove the mounting screw and spacer for TB1 (Fig. 3).
- (6) Move terminal board TB1 to gain access to the appropriate terminals on TB2.
- (7) Disconnect the appropriate leads (Fig. 9H) and remove jack.
- (8) Reassemble. When replacing TB1, locate its tabs in the slots of the chassis before refastening the TB1 mounting screw.
- (9) Route leads through wire guide as shown in Fig. 3.
- (10) ♦Reconnect battery and power unit.
- (11) Reprogram memory, see Part 5.♦

#### I. Handset

**6.10** A defective G15A handset may be replaced or changed to a modular amplifying handset (G6BM, G7BM, or G8BM) by unplugging the H4DU cord and inserting it into the new handset. To replace the G15A handset with a nonmodular amplifying handset (G6B, G7B, or G8B) proceed as follows.

- (1) ♦Disconnect power unit from ac outlet and unplug battery.

**Note:** Removal of ac and battery power results in loss of stored numbers.⚡

- (2) Unplug H4DU handset cord at telephone set end.
- (3) Remove faceplate (paragraph 3.19) and place handset aside.
- (4) Remove upper housing, if provided [paragraph 3.21(b)].
- (5) Remove handset cradle (paragraph 3.20).
- (6) Disconnect 616B handset jack (paragraph 6.09). (Jack may be removed or stored just to right of ringer.)
- (7) Insert spade-tipped end of handset cord through hole in the side of the housing.
- (8) Attach stayband hook to chassis.
- (9) Route leads through wire guide as shown in Fig. 3.
- (10) Make connections (Fig. 9H).
- (11) Reassemble set.
- (12) ⚡Reconnect battery and power unit.
- (13) Reprogram memory, see Part 5.⚡

#### J. Faceplate

**6.11** To replace an 872A1-87 faceplate with an 872B1 faceplate.

- (1) Remove the 872A1-87 faceplate by lifting up at any of its edges.
- (2) Remove the four captive housing screws (Fig. 2) from the chassis.
- (3) Use the four housing screws to mount the 870A1U-type upper housing to the chassis and 870A1-type housing. The three parts should be held together tightly as the screws are driven.
- (4) Place the two tabs located along the lower edge of the 872B1 faceplate in the notches in the lower side of the 870A1U-type upper housing.
- (5) Lower the faceplate to rest on the memory. The spring clip located at the top center of the upper housing should retain the faceplate.

#### K. Speakerphone

**6.12** For maintenance information on the 3B (MD) or 4A speakerphone systems, refer to Section 512-620-100 or 512-700-100, respectively. For speakerphone connections, use applicable Tables B through E.

**TABLE J**  
**MOUNTING CORD AND 508 PLUG CONNECTIONS**

AMPHENOL PLUG			INSIDE TELEPHONE SET						
DESIG	PIN NO.	COLOR	MTG CD TERMINATIONS			SPADE TIP CONDUCTORS FROM 508 PLUGS.			
			SPADE TIP COND. IN MTG. CD	508 PLUGS		PLUG COLOR	PLUG PIN NO.	COLOR	TERM.
				COLOR	PIN NO.				
R(1)	1	BL-W		BL	6	BL	6	BL-W	*
T(1)	26	W-BL		BL	3	BL	3	W-BL	*
A1	2	O-W	TB1-12			BL	2	W	TB1-3
A(1)	27	W-O		BL	1	BL	1	W-O	*
L(1)	3	G-W		BL	L				
LG(1)	28	W-G		BL	LG				
R(2)	4	BR-W		O	6				
T(2)	29	W-BR		O	3				
B(2)	5	S-W	*			O	2	R	TB1-2
A(2)	30	W-S		O	1				
L(2)	6	BL-R		O	L				
LG(2)	31	R-BL		O	LG				
R(3)	7	O-R		G	6				
T(3)	32	R-O		G	3				
B(3)	8	G-R	*			G	2	BK	TB1-2
A(3)	33	R-G	TB1-7			G	1	S-W	TB1-7
L(3)	9	BR-R		G	L				
LG(3)	34	R-BR		G	LG				
R(4)	10	S-R		BR	6				
T(4)	35	R-S		BR	3				
B(4)	11	BL-BK	*			BR	2	Y	TB1-2
A(4)	36	BK-BL	TB1-9			BR	1	BR	TB1-9
L(4)	12	O-BK		BR	L				
LG(4)	37	BK-O		BR	LG				
R(5)	13	G-BK		S	6				
T(5)	38	BK-G		S	3				
B(5)	14	BR-BK	*			S	2	V	TB1-2
A(5)	39	BK-BR	TB1-4			S	1	S	TB1-4
L(5)	15	S-BK		S	L				
LG(5)	40	BK-S		S	LG				
BZ1	16§	BL-Y	TB2-11						
BZ	41§	Y-BL	TB2-5						

\*Insulate and store.

§Nonstandard pin numbers

TABLE J (Contd)  
MOUNTING CORD AND 508 PLUG CONNECTIONS

AMPHENOL PLUG			INSIDE TELEPHONE SET						
DESIG	PIN NO.	COLOR	MTG CD TERMINATIONS			SPADE TIP CONDUCTORS FROM 508 PLUGS.			
			SPADE TIP COND IN. MTG. CD	508 PLUGS		PLUG COLOR	PLUG PIN NO.	COLOR	TERM.
				COLOR	PIN NO.				
Spare	17	O-Y	*						
Spare	42	Y-O	*						
HL	18	G-Y	PSB-26						
HLG	43	Y-G	PSB-27						
SG	19	BR-Y	TB1-5						
BL	44	Y-BR	TB1-6						
R or R1	20	S-Y	TB1-13						
B or B1	45	Y-S	Net. K						
AC1†	21§	BL-V	PSB-24						
AC2†	46§	V-BL	PSB-25						
SPO‡	22§	O-V	*						
Spare	47	V-O	Net. T						
R1‡	23	G-V	*						
T1‡	48	V-G	*						
P4-IR‡	24	BR-V	*						
P3-IT‡	49	V-BR	*						
LK‡	25	S-V	*						
AG‡	50	V-S	*						
Tip						S	4	G	TB1-8
Ring						S	5	R	PSB-9
						Pink	HL	BR-W	PSB-26
						Pink	HLG	W-BR	PSB-27
						Pink	3	BL	*
						Pink	2	G	TB1-1
						Pink	1	Y-BL	TB1-3

\*Insulate and store.

†95B1 Power Unit

‡Designations for speakerphone options. Refer to Tables B through E.

§ Non-standard pin numbers.

◆TABLE K◆

TO CONVERT THE 872A1M TELEPHONE SET  
FROM 1A1, 1A2, TO 1A OPERATION (See Note)

LEAD DESIG	COLOR	FROM (1A1, 1A2)	TO (1A)
LSb	Y	TB1-12	TB1-5
HOLD	Y-BL	TB1-3	TB1-16
HOLD	BL	*(Pink 508 Plug)	TB1-3
HOLD	G	TB1-1	Spare 1 §
RING	R	PSB-9	Spare 1 §
LSc†	BR	TB1-1	TB1-6
Net. L2‡	R-BL	TB1-1	TB1-6

Note: Tables B through E provide speakerphone connections for 1A1 and 1A2 KTS. The same tables apply for 1A KTS.

\* Insulated and stored.

† Only required when busy-lamp option is provided.

‡ Only required when both busy-lamp and speakerphone options are provided.

§ Connect to same spare terminal or D-161488 connector.

◆TABLE L◆

CONNECTIONS FOR D-180818 KIT OF PARTS

D-KIT SWITCH LEADS		TERMINAL POSTS FOR SWITCH LEAD CONNECTORS (NOTE 3)	
DESIG.	COLOR (NOTE 1)	RECORD DISABLE ONLY	RECORD DISABLE AND DIAL INTERMIX (NOTE 2)
WDC	BK†	*	1
VDD	R	2	2
RCD	BK	3	3

Note 1: These are connectors attached to the switch leads. A single pin connector with a (BK) lead and a double pin connector with a (R) and a (BK) lead.

Note 2: When this option is provided, the LAST NUMBER DIALED (LND) feature is disabled and the 32nd memory may be used just as any other memory.

Note 3: These terminal posts are found on the 870B Memory (Fig. 6).

\* Insulate and store.

† Single pin connector.

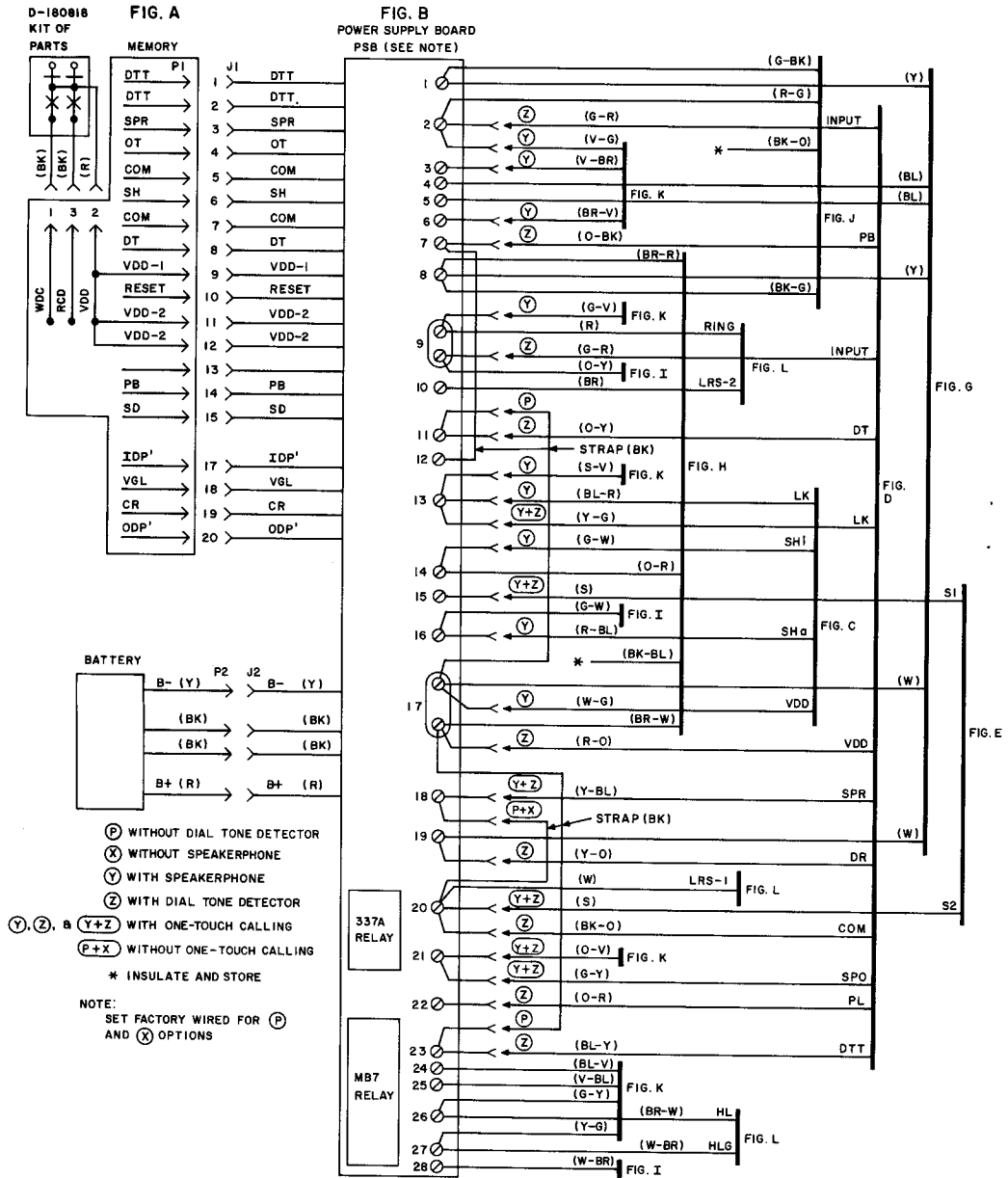


**TABLE M**  
**CONVERSION OF KEYS FOR SIGNALING**

SELECTIVE SIGNALING							
508 PLUG	COLOR:	BLUE	ORANGE	GREEN	BROWN	SLATE	
	PIN NO:	2	2	2	2	2	1
	LEAD COLOR:	W	R	BK	Y	V	S
Key Functions†	HPPPPP	TB1-3	TB1-2	TB1-2	TB1-2	TB1-2	TB1-4
	HPPPPS	TB1-3	TB1-2	TB1-2	TB1-2	TB1-5	TB1-4
	HPPSSS	TB1-3	TB1-2	TB1-2	TB1-5	TB1-5	TB1-4
	HPPSSS	TB1-3	TB1-2	TB1-5	TB1-5	TB1-5	TB1-4
COMMON SIGNALING (SEE NOTE)							
508 PLUG	COLOR:	BLUE	ORANGE	GREEN	BROWN	SLATE	
	PIN NO:	2	2	2	2	2	1
	LEAD COLOR:	W	R	BK	Y	V	S
Key Functions†	HPPP*P*S	TB1-3	TB1-3	TB1-2	TB1-2	TB1-2	TB1-3
	HPP*P*P*S	TB1-3	TB1-2	TB1-2	TB1-2	TB1-2	TB1-3

**Note:** Remove (BK) strap from TB1-3, insulate and store.

\*These arrangements use line switch controlled ground for common signal key, used with private or intercommunicating lines. Common signals should be used to operate a common signal relay. Do not wire directly to a buzzer.  
†Remove pins to make key nonlocking when used for signaling.



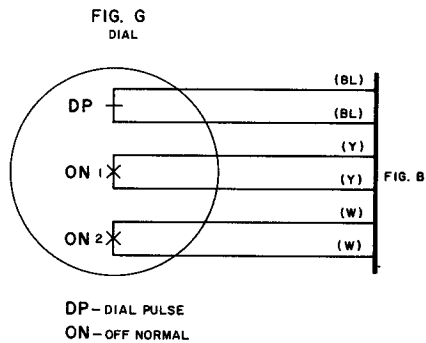
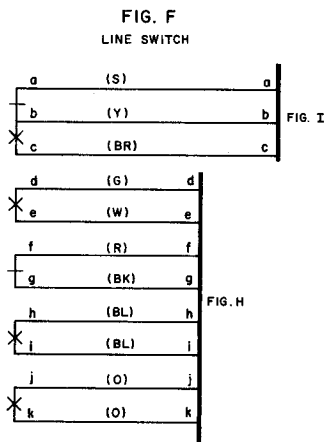
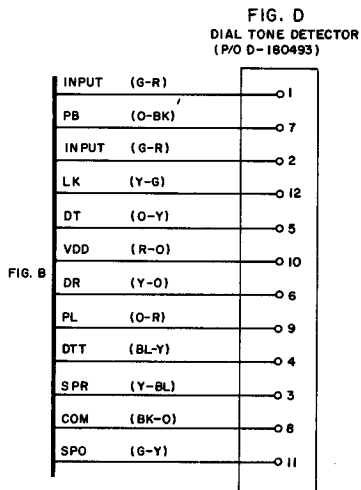
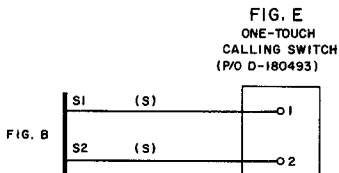
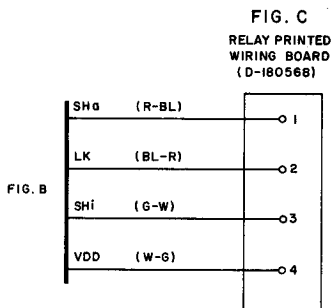


Fig. 9—872A1M Telephone Set, Connections (Sheet 2 of 4)

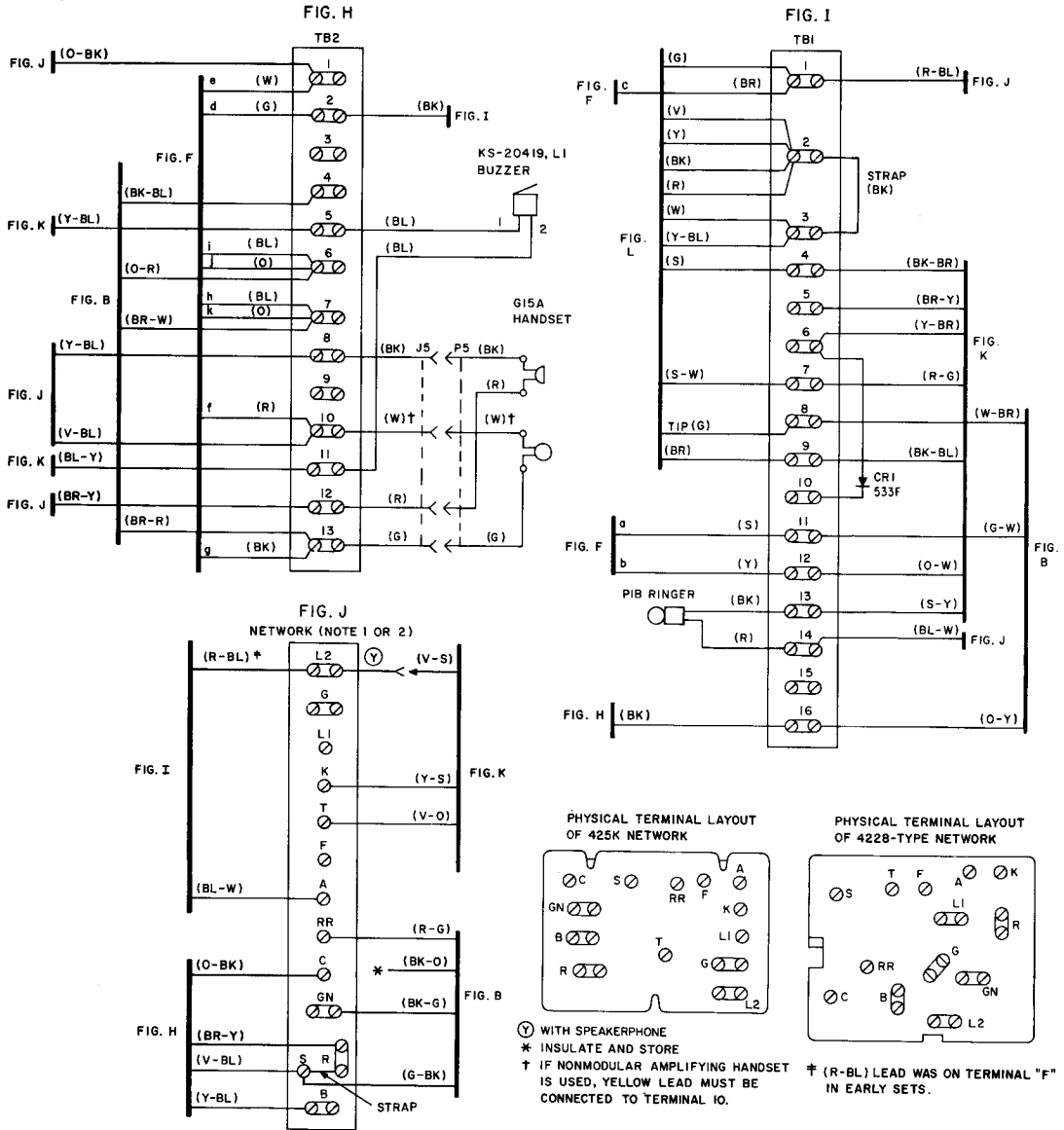


Fig. 9—872A1M Telephone Set, Connections (Sheet 3 of 4)

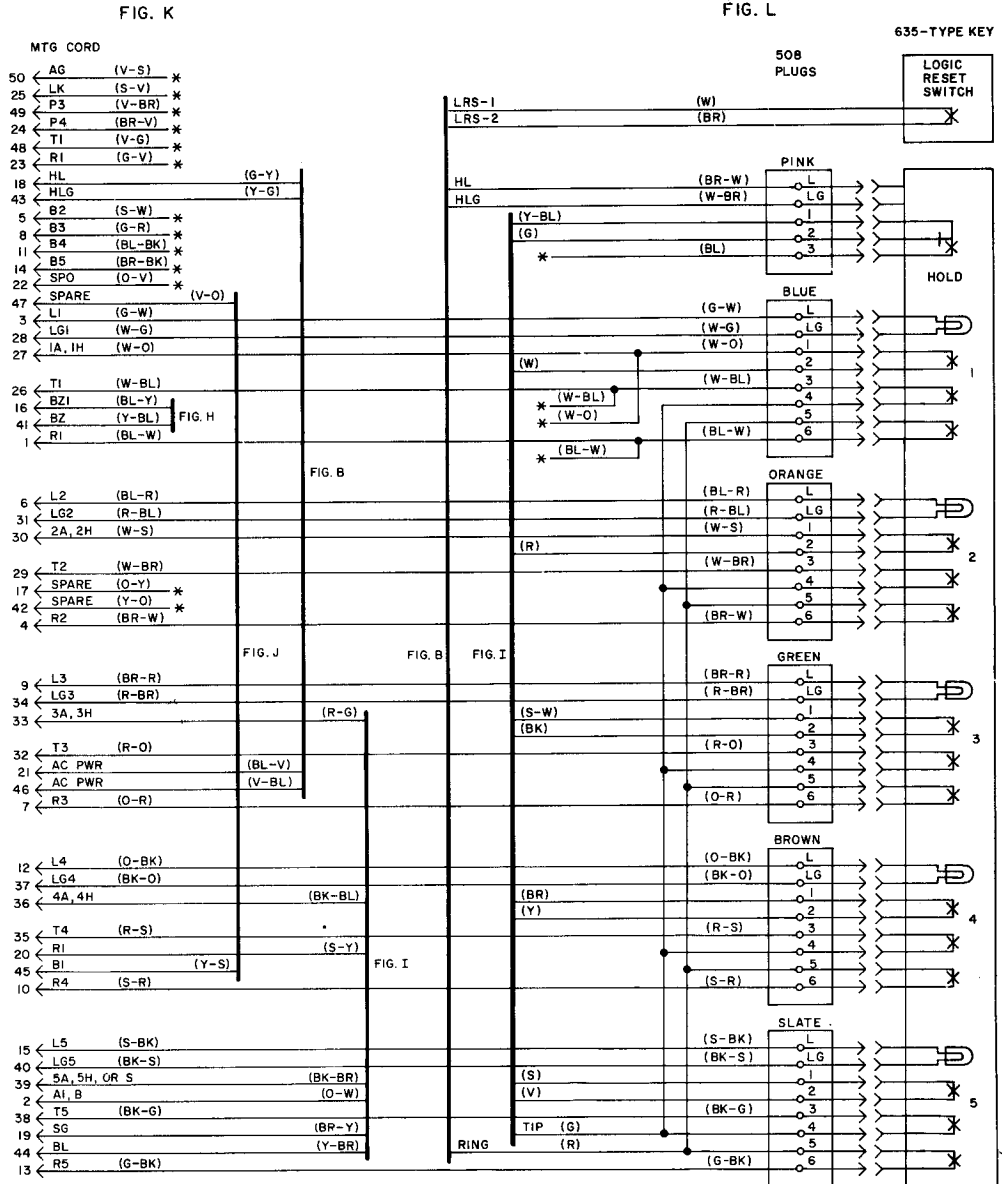


Fig. 9—872A1M Telephone Set, Connections (Sheet 4 of 4)

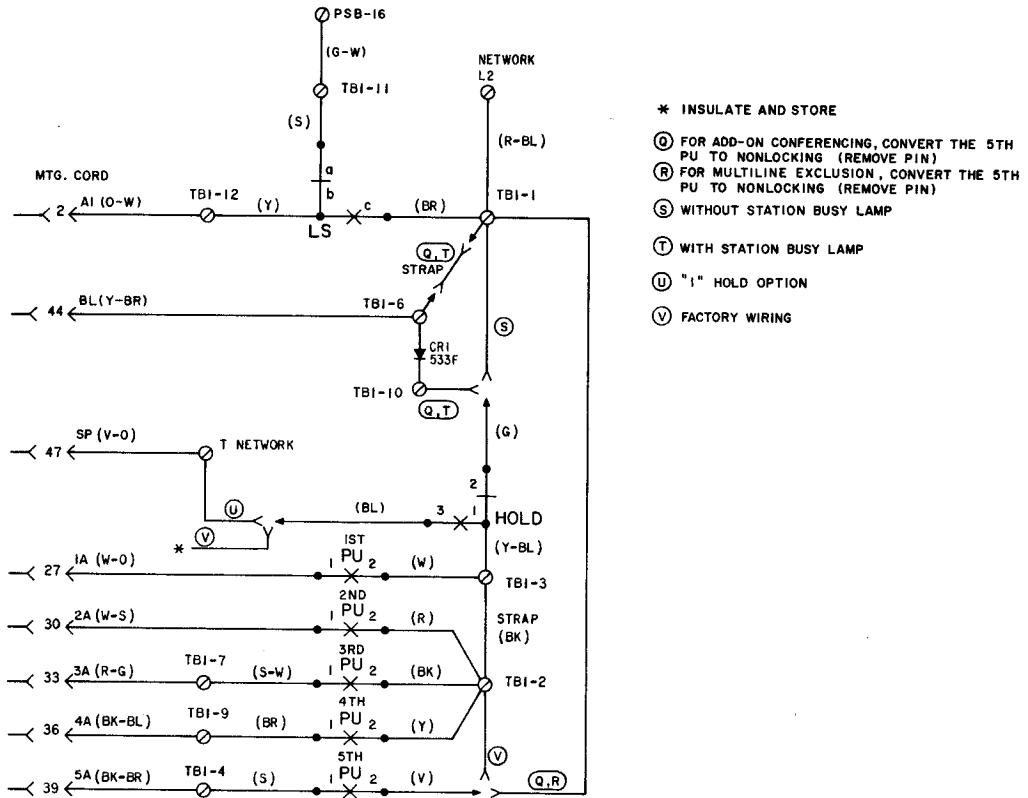


Fig. 10—“I” Hold, Exclusion, Station Busy Lamp, and Add-On Conference—1A1 and 1A2 KTS (Showing 5th Key Modified)†

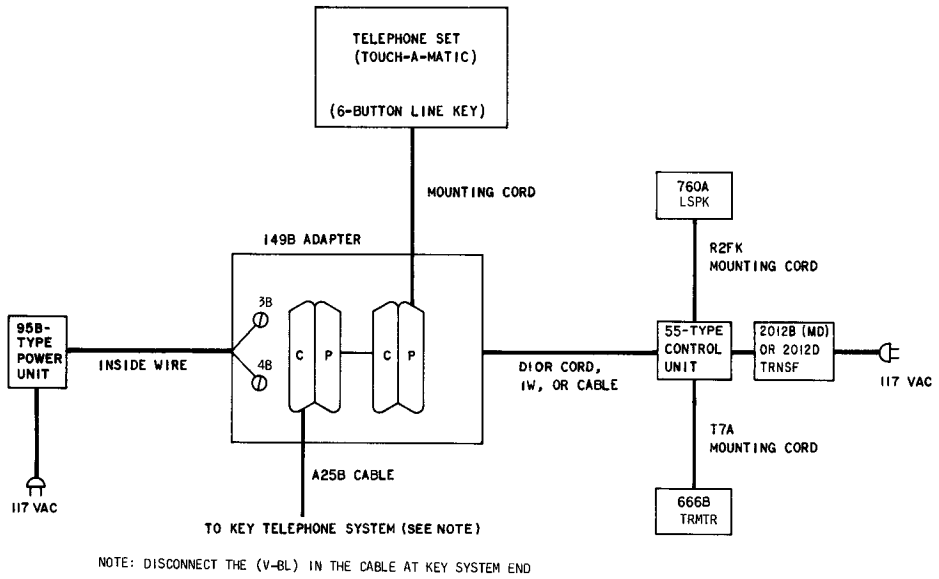
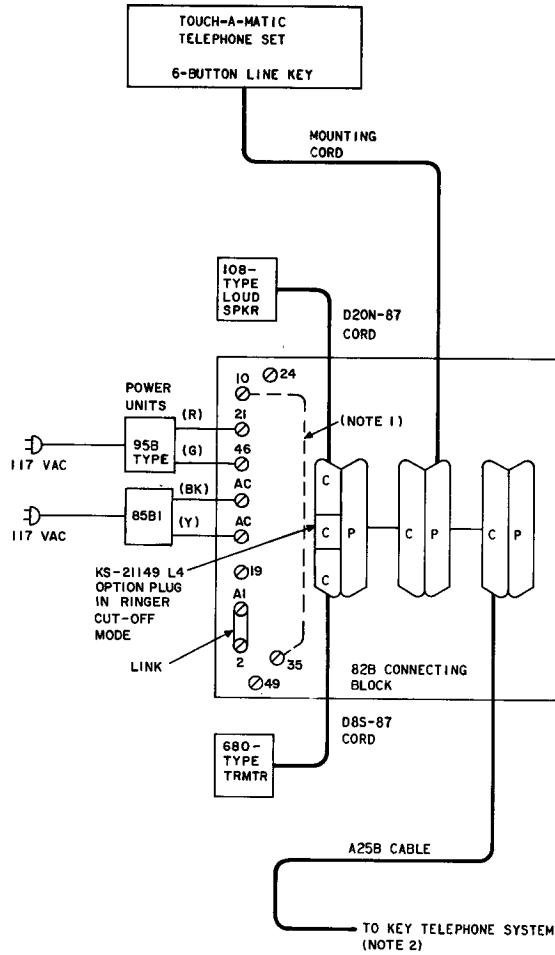


Fig. 11—Block Diagram—872A1M Telephone Set Using 3B (MD) Speakerphone



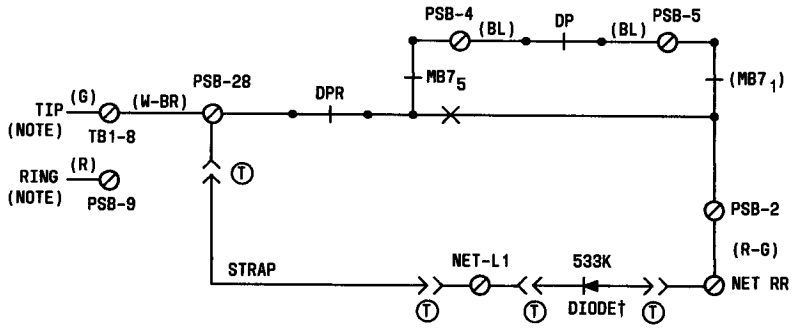
NOTES:

1. STRAP NECESSARY ONLY IF SET IS ALSO EQUIPPED WITH DIAL TONE DETECTOR TO PROVIDE ONE-TOUCH CALLING OPTION.
2. IF POWER IS PROVIDED THROUGH KEY CABLE, USE (BR-V) PAIR FOR 85-TYPE POWER UNIT AND STRAP 24 TO AC1 AND 49 TO AC2 ON 82B CONNECTING BLOCK.

Fig. 12—Block Diagram—872A1M Telephone Set Using 4A Speakerphone





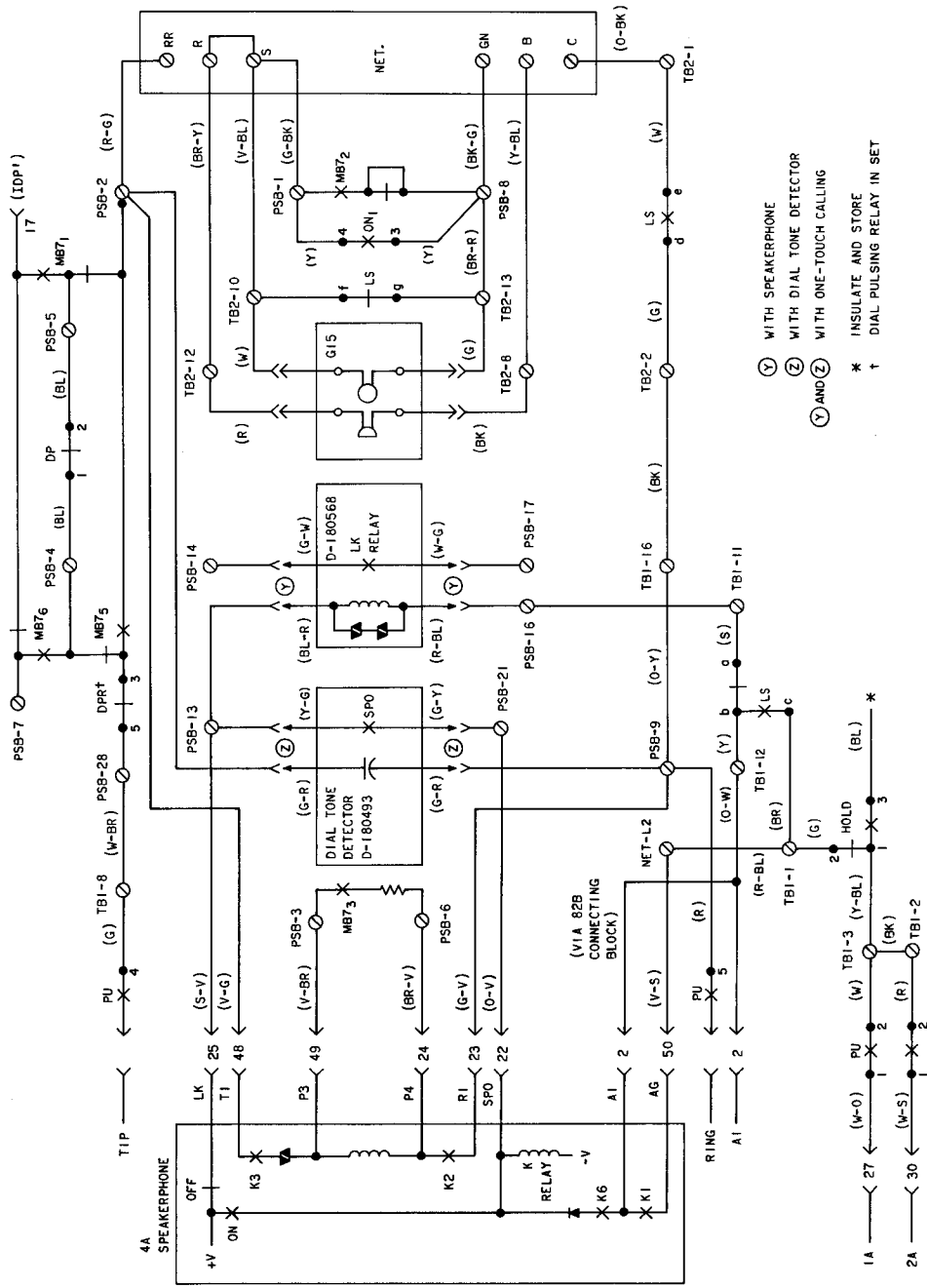


† ORDERED AND INSTALLED SEPARATELY

Ⓣ - WITH RESTRICTED DIALING

NOTE: REVERSE POLARITY ON TIP AND RING LEADS ON ALL LINES WITH RESTRICTED DIALING.

Fig. 14—Connections for Restricted Dialing Option



- Ⓢ WITH SPEAKERPHONE
- Ⓣ WITH DIAL TONE DETECTOR
- Ⓢ AND Ⓣ WITH ONE-TOUCH CALLING
- \* INSULATE AND STORE
- † DIAL PULSING RELAY IN SET

Fig. 15—872A1M Telephone Set, Partial Functional Schematic

◆ TABLE N ◆  
TROUBLE ANALYSIS — 872A1M

TROUBLE NUMBER	FAILURE	ADDITIONAL SYMPTOM	POSSIBLE CAUSE	REMEDIAL ACTION
1	Dead set on all lines when off-hook on handset	Line lamp does not come on when handset is taken off-hook.	Mounting cord improperly inserted at equipment end	Check cord insertion and connections
		Line lamp comes on when handset is taken off-hook. Set remains dead when 95B power unit is disconnected.	Bad connection between handset and telephone set	1. Check handset cord connections 2. Check handset jack connections
		Dial tone is not present when speakerphone is on.	Defective receiver	Check handset
2	Dead set on all lines only when speakerphone is on	Dial tone is not present when speakerphone is on.	Open tip or ring lead at 635-type line key	Check leads and connections from contact strips
		Line lamp comes on when handset is taken off-hook. Set becomes active when 95B power unit is disconnected.	Unknown	Replace telephone set.*
		Set is active when off-hook on handset.	Improperly installed or defective memory	1. Check connector cable insertion 2. Replace memory
3	Cannot transmit when off-hook on handset.	Set is active when off-hook on handset.	Defective PSB	Replace telephone set.*
		Line lamp comes on. Dial tone present, but sidetone absent.	Improperly connected or defective speakerphone	1. Check connections 2. See appropriate speakerphone BSP for trouble analysis
		Line lamp comes on. Dial tone present, but sidetone absent.	Handset cord improperly inserted into either handset or jack in telephone set	Check handset cord and/or handset
			Defective transmitter	Replace transmitter or handset
			Defective 616B jack	Replace 616B jack
			Defective network	Replace telephone set.*

\*Refer to 6.02 (4)

◆ TABLE N (Contd) ◆  
TROUBLE ANALYSIS—872A1M

TROUBLE NUMBER	FAILURE	ADDITIONAL SYMPTOM	POSSIBLE CAUSE	REMEDIAL ACTION
4	Cannot manually dial when off-hook on handset (dial tone is present).	Dialing clicks heard (in handset) when dial is returning.	Bridged set off-hook	Place bridged set on-hook
			Speakerphone improperly installed or defective	Check appropriate speakerphone BSP for analysis
			Improperly installed or defective rotary dial	1. Check connections 2. Replace rotary dial
			Unknown	Replace telephone set*
5	Cannot manually dial when speakerphone is on. (Dial tone is present.)	No dialing clicks heard when dial is returning. Condition remains unchanged when 95B power unit is disconnected.	Improperly installed or defective memory	1. Check connector cable 2. Replace memory
			Defective PSB	Replace telephone set*
			Improperly installed on defective speakerphone	1. Check connections 2. See appropriate speakerphone BSP for trouble analysis
6	RECORD lamp does not function properly	RECORD lamp does not turn on when RECORD button is depressed.	Defective line switch	Replace telephone set*
			AC power not present	Check for commercial power
			Battery not connected	Connect battery
			95B power unit not plugged in or defective	Check or replace 95B power unit (should read 13.4 to 18 Vac across screw terminals 24 and 25 on PSB)
			Open in IW	Check IW and connections
			Memory, RECORD OFF or WAIT button stuck down	Clear stuck button
			Defective logic reset switch	Replace line key
Switch of D-180818 Kit of Parts in ON position.	Change switch position to OFF			

\*Refer to 6.02 (4)

◆ TABLE N (Cont'd) ◆  
TROUBLE ANALYSIS—872A1M

TROUBLE NUMBER	FAILURE	ADDITIONAL SYMPTOM	POSSIBLE CAUSE	REMEDIAL ACTION
6 (cont'd)			Improperly installed or defective memory	1. Check connector cable 2. Replace memory
			Unknown	Replace telephone set*
			Improperly installed or defective memory	1. Check connector cable 2. Replace memory
			Unknown	Replace telephone set*
			Improperly connected or defective rotary dial (off-normal contact)	1. Check rotary dial connections 2. Replace telephone set*
7	Cannot record properly into the 31 memory positions or into LAST NUMBER DIALED position.	Lamp does not turn off as dial is returning, but relay click is heard at beginning of dial wind-up and at end of dial return. Can manually dial off-hook.  Lamp turns off as dial is returning and stays off. Can manually dial off-hook.	Improperly connected or defective memory	1. Check cable 2. Replace memory
			Unknown	Replace telephone set*
			Memory button was not depressed prior to the operation of the dial	Record per 5.01 (4) through (7)
			Defective memory	Replace memory
			Unknown	Replace telephone set*
		Record lamp functions properly and set dials manually	Defective memory	Replace memory
			Unknown	Replace telephone set*

\*Refer to 6.02 (4)

◆ TABLE N (Cont'd) ◆  
TROUBLE ANALYSIS—872A 1M

TROUBLE NUMBER	FAILURE	ADDITIONAL SYMPTOM	POSSIBLE CAUSE	REMEDIAL ACTION
7 (cont'd)		Party is reached when number is recorded as it is manually dialed; however, when number is subsequently dialed from memory, party is not reached — wrong number is dialed from memory	Check recording procedure	Record per 5.01 (4) through (7)
			Defective memory	Replace memory
			Unknown	Replace telephone set*
8	Cannot dial properly from memory on handset.	MB7 relay does not operate (no click heard) when memory button is depressed	Battery not connected	Connect battery
			Memory not securely mounted	Tighten memory mounting screws
			Improper and/or defective strap from PSB terminal 18 to PSB terminal 20	Check and/or replace strap lead. See Fig. 9B
			Improper connection to or defective memory	1. Check connector cable 2. Replace memory
			Unknown	Replace telephone set*
			WAIT button is stuck down or defective	Free stuck WAIT button or replace memory
			Unknown	Replace telephone set*
8		No digits, random digits or all the same digits in memory location(s). Note: memory may or may not have functioned properly at some previous time.	AC power outage for 24 hours or longer	Reestablish ac power and record numbers into memory

\*Refer to 6.02 (4)

▶ TABLE N (Cont'd) ◀  
TROUBLE ANALYSIS—872A1M

TROUBLE NUMBER	FAILURE	ADDITIONAL SYMPTOM	POSSIBLE CAUSE	REMEDIAL ACTION
8 (cont'd)			Defective battery	<ol style="list-style-type: none"> <li>Allow the battery to be charged for a minimum of 5 minutes. Then momentarily remove the 95B power unit from the ac power outlet and reinsert</li> <li>If previously stored numbers are not dialed from memory, replace the battery</li> <li>Repeat procedure</li> </ol>
			Defective memory	Replace memory
			Unknown	Replace telephone set*
		Two or more memory locations have same digits which are usually different from originally recorded digits	Static discharge damage	<ol style="list-style-type: none"> <li>Consult Telco Engineer for proper grounding procedure</li> <li>Replace memory</li> </ol>
		Automatically dials through a "wait"	Memory not securely mounted	Tighten memory mounting screws
			Improper connection to PSB terminal 23	Check connection to and/or replace strap to PSB terminal 23
			Defective memory	Replace memory
			Unknown	Replace telephone set*
			Battery not connected	Connect battery
			Precise TOUCH-TONE dial tone may not be present	Make sure precise (350 Hz and 440 Hz) dial tone is present
			Memory not securely mounted	Tighten memory mounting screws
			Improper installation of dial tone detector D-180493	Check connections for D-180493 installation
9	Cannot dial properly from memory when on the handset (wired for dial tone detector option)	MB7 relay does not operate (no click heard) when memory button is depressed.		

\*Refer to 6.02 (4)



◆ TABLE N (Cont'd) ◆  
TROUBLE ANALYSIS—872A1M

TROUBLE NUMBER	FAILURE	ADDITIONAL SYMPTOM	POSSIBLE CAUSE	REMEDIAL ACTION
9 (cont'd)		Same as above — Addition of strap lead between PSB terminals 20 and 23 does not correct problem Addition of strap lead between PSB terminals 20 and 23 corrects problem.	Improper connection to or defective memory  Defective memory Defective dial tone detector	1. Check connector cable 2. Replace memory  Replace memory Replace D-180594 dial tone detector
		Automatically dials through a "wait."	Unknown Memory not securely mounted	Replace telephone set* Tighten memory mounting screws
10	Cannot turn speakerphone on when ON button is depressed (wired for speakerphone option).	Speakerphone indicator lamp does not turn on, but line lamp is on.  No dial tone heard, but indicator lamp turns on.  With temporary strap lead added between PSB screw terminals 16 and 13, speakerphone turns on when ON button is depressed.  With temporary strap lead added between screw terminals 11 and 12 on TBI, speakerphone turns on when ON button is depressed.	Improper connection to PSB terminals 23 and 11 Handset off-hook  Line button not depressed  Improper connections or defective D-180568 Kit of Parts	Check installation of D-180493 Kit of Parts Place handset on-hook  Depress line button  Check connections to and/or replace D-180568 Kit of Parts
		With temporary strap lead added between screw terminals 11 and 12 on TBI, speakerphone turns on when ON button is depressed.  Speakerphone indicator lamp does not turn on and neither does line lamp	Defective line switch a-b contacts or connecting lead to power supply PSB.  Improper connections or defective 85B1 power unit	1. Check (G-W) harness lead between screw terminal 11 on TBI and PSB terminal 16 2. Replace telephone set*  1. Check for commercial power 2. Check connections per Tables B, C, D, and E

\*Refer to 6.02 (4)

◆ TABLE N (Contd) ◆  
TROUBLE ANALYSIS—872A1M

TROUBLE NUMBER	FAILURE	ADDITIONAL SYMPTOM	POSSIBLE CAUSE	REMEDIAL ACTION
10 (contd)				<p>3. Check that 85B1 power unit is plugged into commercial ac power outlet.</p> <p>4. Check or replace 85B1 power unit (should read 18 to 25 Vac across "open circuited" secondary screw terminals)</p> <p>See appropriate speakerphone BSP for trouble analysis</p>
11	RECORD lamp does not turn off when speakerphone ON button is depressed (wired for speakerphone option).	With temporary strap lead added between PSB screw terminals 14 and 17, speakerphone turns on when ON button is depressed and RECORD lamp goes off	Defective speakerphone	Replace D-180568 Kit of Parts
12	Cannot turn speakerphone off when handset is lifted off-hook (wired for speakerphone option).	Operation of RECORD OFF button or line key buttons turns RECORD lamp off.	Defective line switch h-i or j-k contacts	Replace telephone set*
13	Cannot hear dial clicks when dialing with speakerphone on (wired for speakerphone option).	Speakerphone turns off when OFF button is depressed but turns back on when OFF button is released	Short circuit between screw terminals 11 and 12 on TB1	Clear short
14	Speakerphone does not turn on when a memory button is momentarily depressed in the automatic dialing mode (wired for one-touch option).	With the speakerphone ON button depressed, dialing clicks can be heard	Defective line switch a-b contacts	Replace telephone set*
		MB7 relay does not operate (no click heard) when memory button is depressed	Physical spacing between speakerphone, loudspeaker and transmitter units is too close	See appropriate speakerphone BSP for proper placement of units
		With temporary strap between PSB screw terminals 15 and 20 speakerphone turns on when a memory button is depressed	Battery not connected	Connect battery
			With 4A speakerphone, strap not added on 82B block	Add strap from terminal 10 to 35 in 82B block
			One-touch calling switch turned off or defective	<p>1. Turn one-touch calling switch on</p> <p>2. Replace one-touch calling switch assembly of D-180493 Kit of Parts</p>

\*Refer to 6.02 (4)

♦ TABLE N (Cont'd) ♦  
TROUBLE ANALYSIS—872A1M

TROUBLE NUMBER	FAILURE	ADDITIONAL SYMPTOM	POSSIBLE CAUSE	REMEDIAL ACTION
14 (cont'd)			Defective dial tone detector D-180493 Kit of Parts	Replace dial tone detector PWB assembly of D-180493 Kit of Parts
		With temporary strap between PSB screw terminals 13 and 21, speakerphone turns on.	Defective connections between dial tone detector and PSB.  Defective dial tone detector D-180493 Kit of Parts	Check (Y-G) and (G-Y) leads to PSB terminals 13 and 21, respectively  Replace dial tone detector PWB assembly of D-180493 Kit of Parts
15	Speakerphone turns on but set does not automatically dial when memory button is depressed (Wired for one-touch option).		(BK) strap leads to screw terminals 11 and 23 on PSB were not insulated and stored when option was wired	Insulate and store strap leads.
		Set automatically dials when screw terminals 20 and 23 on PSB are temporarily shorted.	Precise TOUCH-TONE dial tone not present or a defective dial tone detector	1. Check CO line for presence of precise TOUCH-TONE dial tone (350 Hz and 440 Hz) 2. If correct dial tone is present, replace dial tone detector PWB assembly of D-180493 Kit of Parts
16	Delay time between depression of a memory button and initiation of automatic dialing exceeds 3 seconds (wired for one-touch option).		Defective timing circuit	1. Replace memory 2. Replace dial tone detector PWB assembly of D-180493 Kit of Parts

\* Refer to 6.02 (4)

◆ TABLE N (Contd) ◆  
TROUBLE ANALYSIS — 872A1M

TROUBLE NUMBER	FAILURE	ADDITIONAL SYMPTOM	POSSIBLE CAUSE	REMEDIAL ACTION
17	Cannot turn speakerphone OFF (wired for one-touch calling)	Speakerphone turns off when OFF button is depressed but turns on when OFF button is released.	(BK) strap to screw terminal 18 on FSB was not insulated and stored when option was wired	Insulate and store strap lead
		Speakerphone turns off and stays off when (Y-BL) lead is disconnected from terminal 18 on FSB and OFF button is depressed.	Defective output logic level	Replace memory
18	Set dials automatically but does not wait for dial tone (wired for one-touch calling)	Speakerphone turns off when handset is taken off-hook but turns on when handset is placed on-hook.	Defective circuit of D-180493 Kit of Parts	Replace dial tone detector PWB assembly of D-180493 Kit of Parts
			Noise on line	1. Add .5 mf capacitor between PSB-17 and PSB-23 2. Remove above capacitor and add resistor (10 K $\Omega$ to 50 K $\Omega$ ) in series with (G-R) dial tone detector input lead.
19	Automatic dialing commences for no apparent reason (wired for one-touch calling)		Static discharge damage	1. Consult Telco Engineer for proper grounding procedure 2. Replace memory
20	Hum or noise caused by electrical apparatus (light dimmer switch, etc.)		Unbalanced telephone line	Check for unintentional connections that might cause an unbalanced telephone line.