

DRIVE-UP, WALK-UP PUBLIC TELEPHONES
MOUNTING KS-16705
IDENTIFICATION

1.00 INTRODUCTION

1.01 This section is reissued to:

- Add 50K apparatus blank in Fig. 1 and 3.

1.02 Since changes are pictorial, marginal arrows have been omitted.

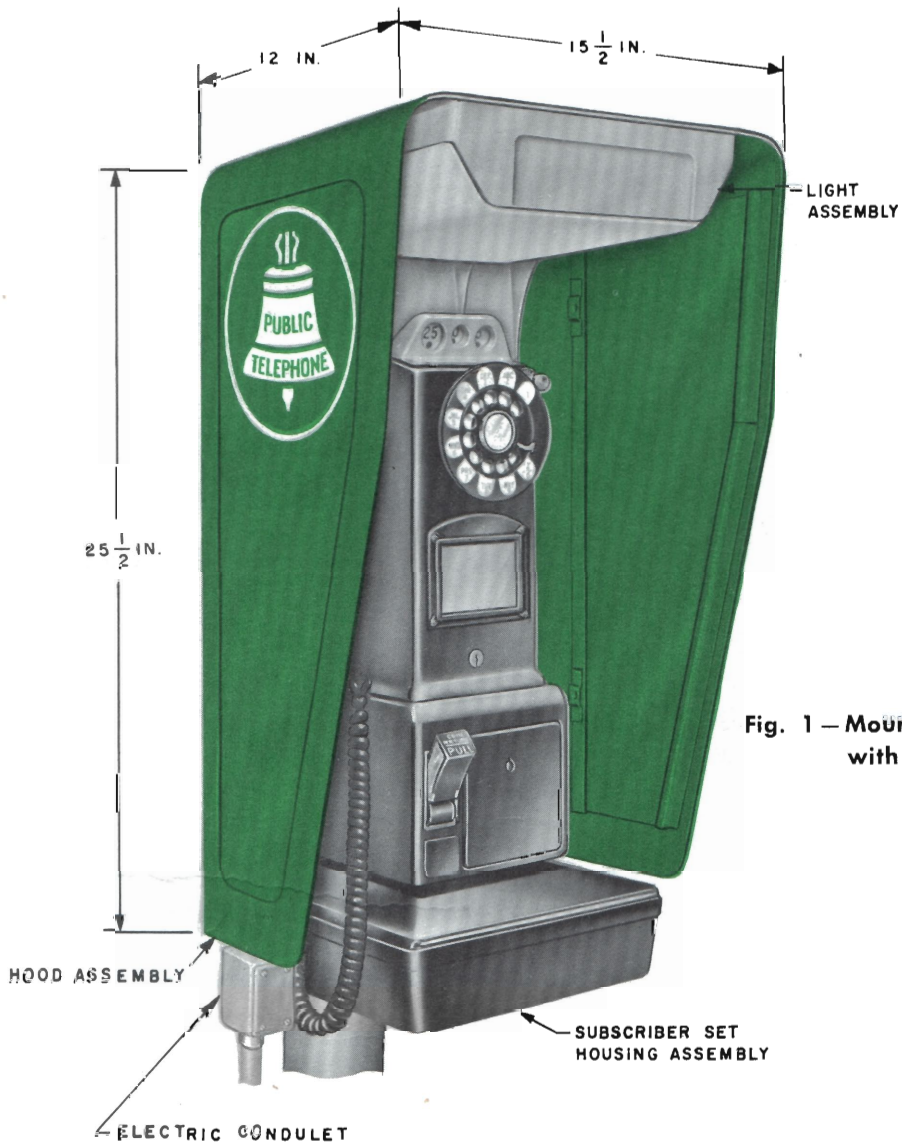


Fig. 1 — Mounting KS-16705
with Coin Collector

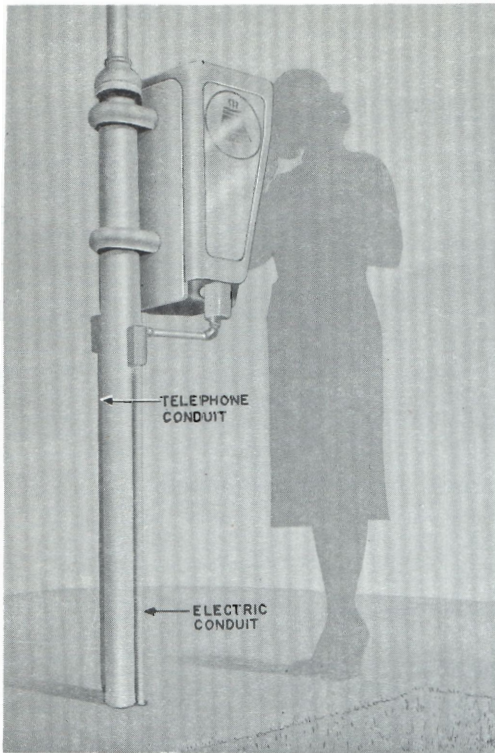


Fig. 2—Walk-Up Installation,
Post Mounted

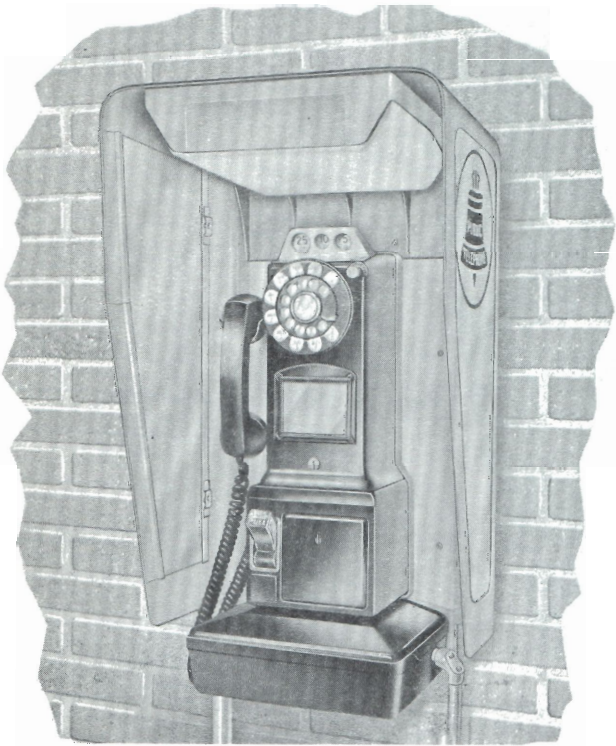


Fig. 3—Walk-Up Installation,
Wall Mounted

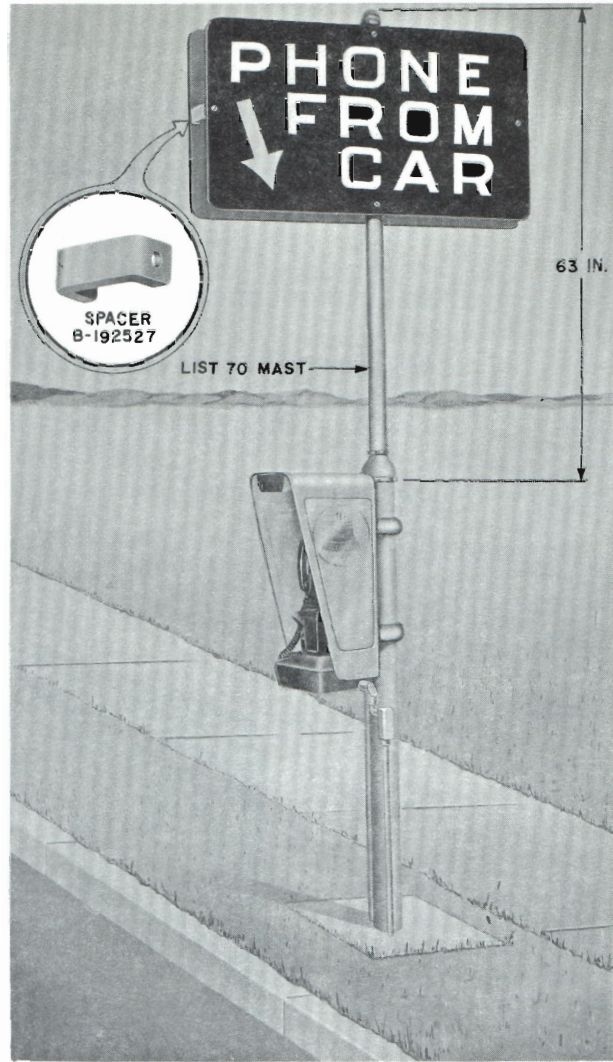


Fig. 4—Drive-Up Installation

2.00 GENERAL

2.01 Mounting KS-16705 is designed to provide arrangements for a standard coin collector at outdoor drive-up and walk-up public telephone locations (Fig. 1).

2.02 The walk-up public telephone is for pedestrians. It can be mounted on the same type of post as the drive-up telephone or on a wall or similar surface (Fig. 2 and 3).

2.03 The drive-up public telephone makes it possible for a customer to place a call without leaving the vehicle (Fig. 4).

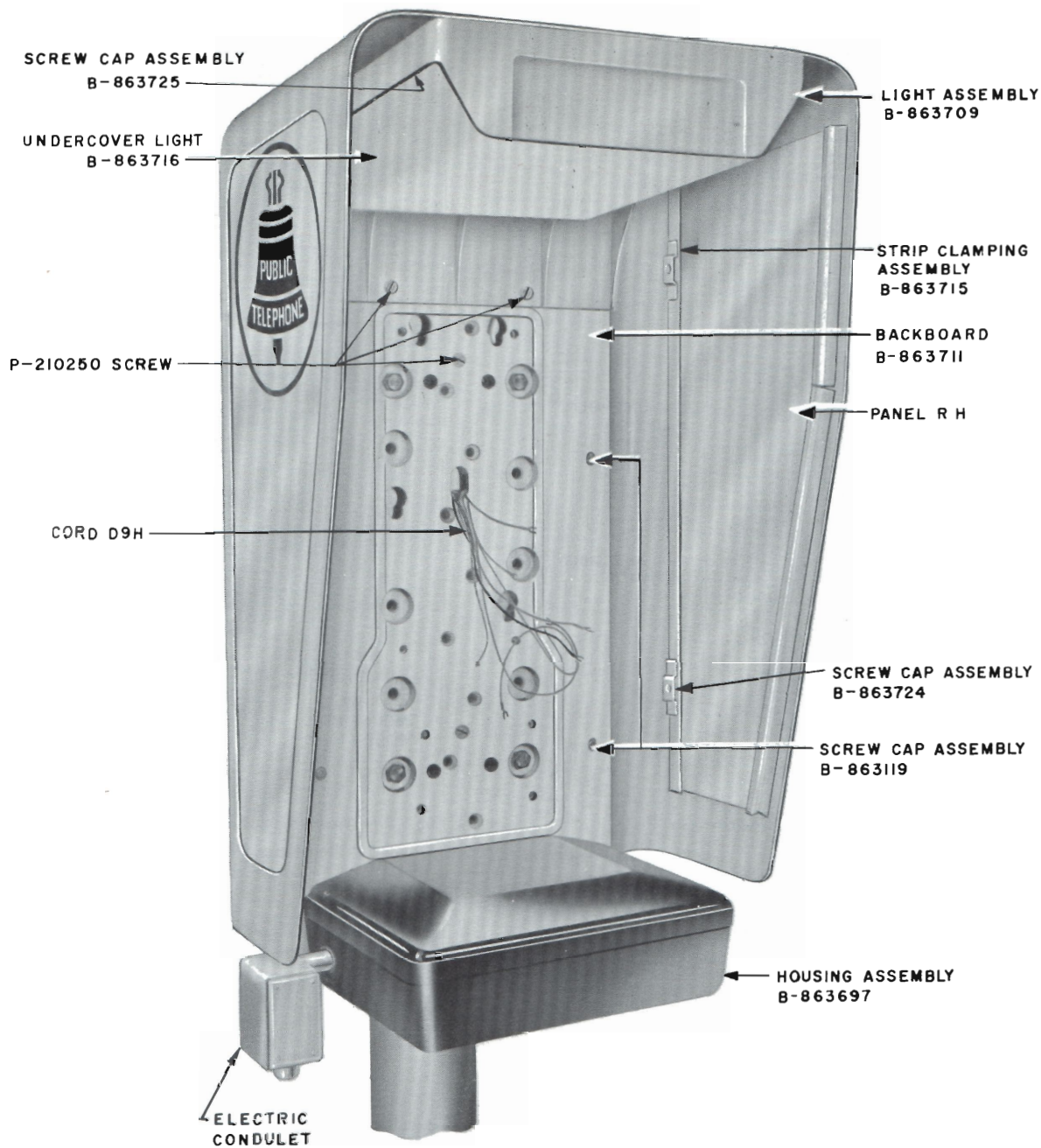


Fig. 5 - Front View

3.00 DESCRIPTION

3.01 Each mounting consists of a weather hood, backboard, subscriber set housing, and a fluorescent light fixture. The backboard serves as a mounting surface for all the major items including the coin collector (Fig. 5). Backboard is designed to accept security studs.

3.02 An extension mast for attaching public telephone signs can be used on top of the mounting post. Two spacers are furnished with the KS-16705, List 70 mast to space out the ends of signs (Fig. 4). When mast is not used, a cap is placed on the post (see Fig. 8).

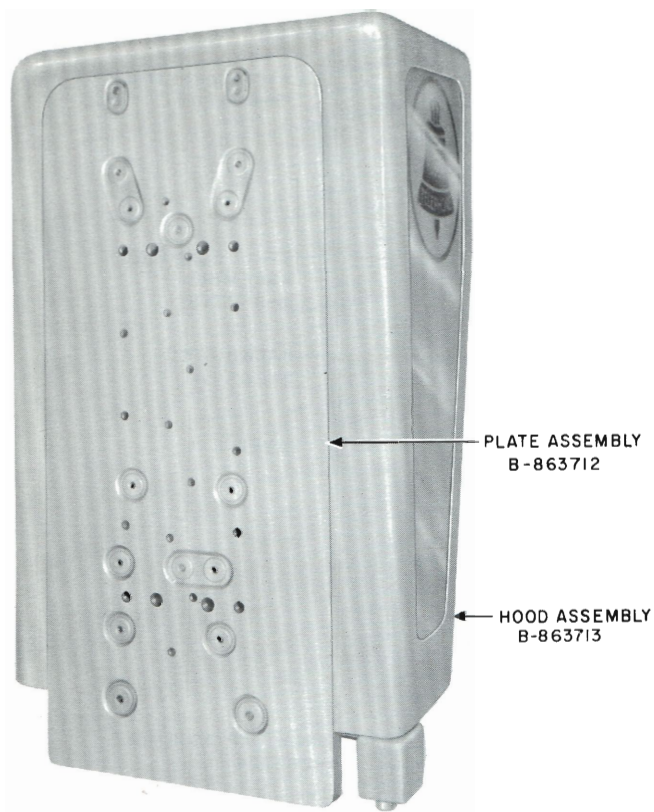


Fig. 6 — Rear View, without Mounting Post

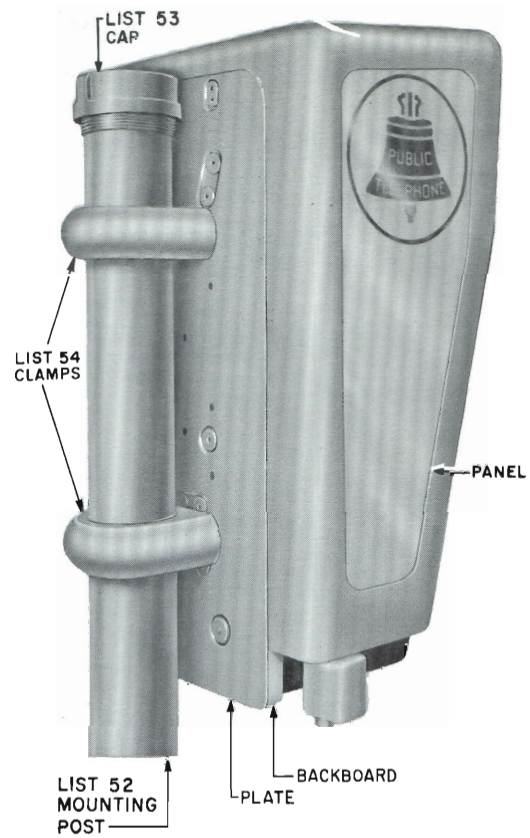


Fig. 8 — Mounting KS-16705, Fastened to Mounting Post

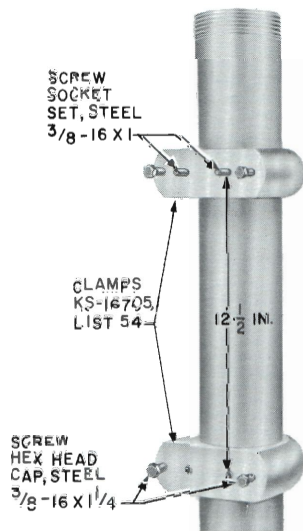


Fig. 7 — List 54
Clamp
Assembly

3.03 Signs for use with the mounting are covered in the section entitled Public Telephone Signs, Identification.

3.04 The mounting may be installed on a wall or similar surface. If the mounting is fastened to a steel post, special clamps are available (Fig. 6, 7, and 8).

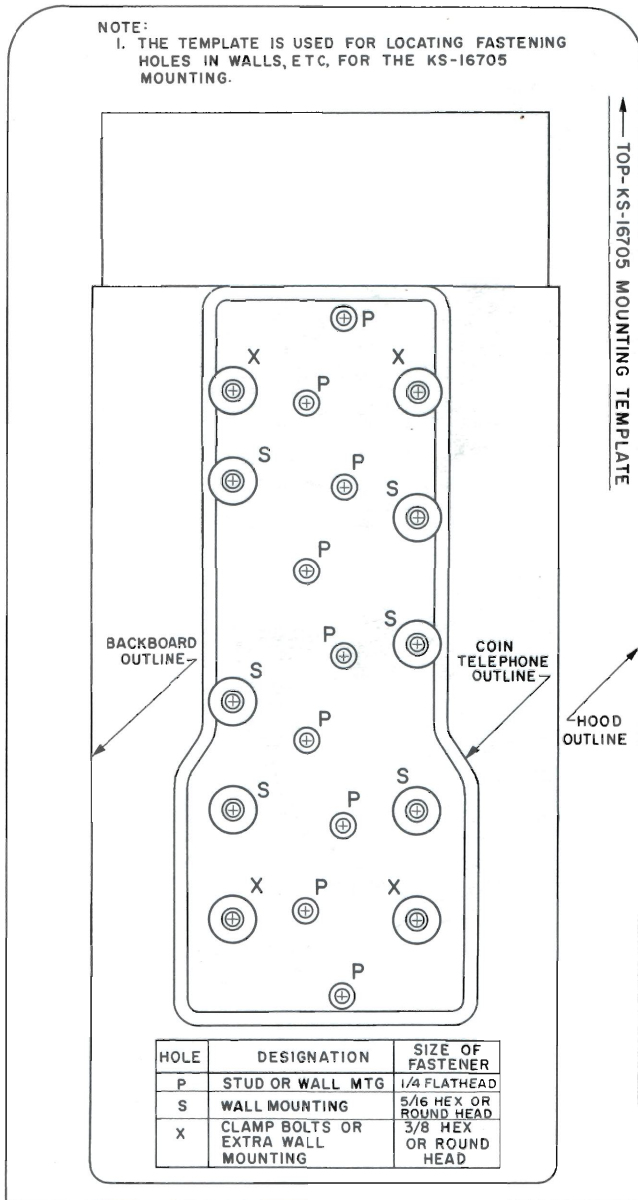


Fig. 9 — Paper Template

3.05 A paper template, B-192542, is furnished with each mounting for locating wall fastening holes (Fig. 9).

3.06 A KS-16705, List 39 flexible telephone conduit assembly is available for field installation. This conduit is 15-1/2 inches in length and has a 1/2-inch connector on each end (Fig. 10).



Fig. 10 — KS-16705, List 39 Flexible Telephone Conduit Assembly

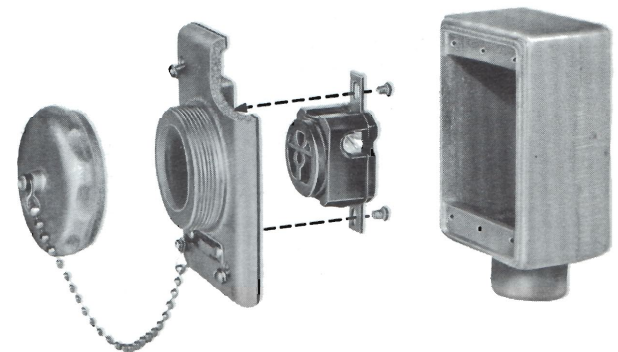
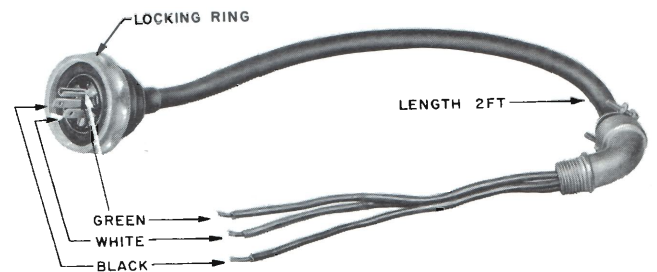


Fig. 11 — KS-14611, List 20 Power Cord Assembly and Power Receptacle

3.07 A KS-14611, List 20 power cord assembly is available for use in making power connection to the mounting. Plug power cord into a watertight power receptacle supplied and installed by electrician (Fig. 11).

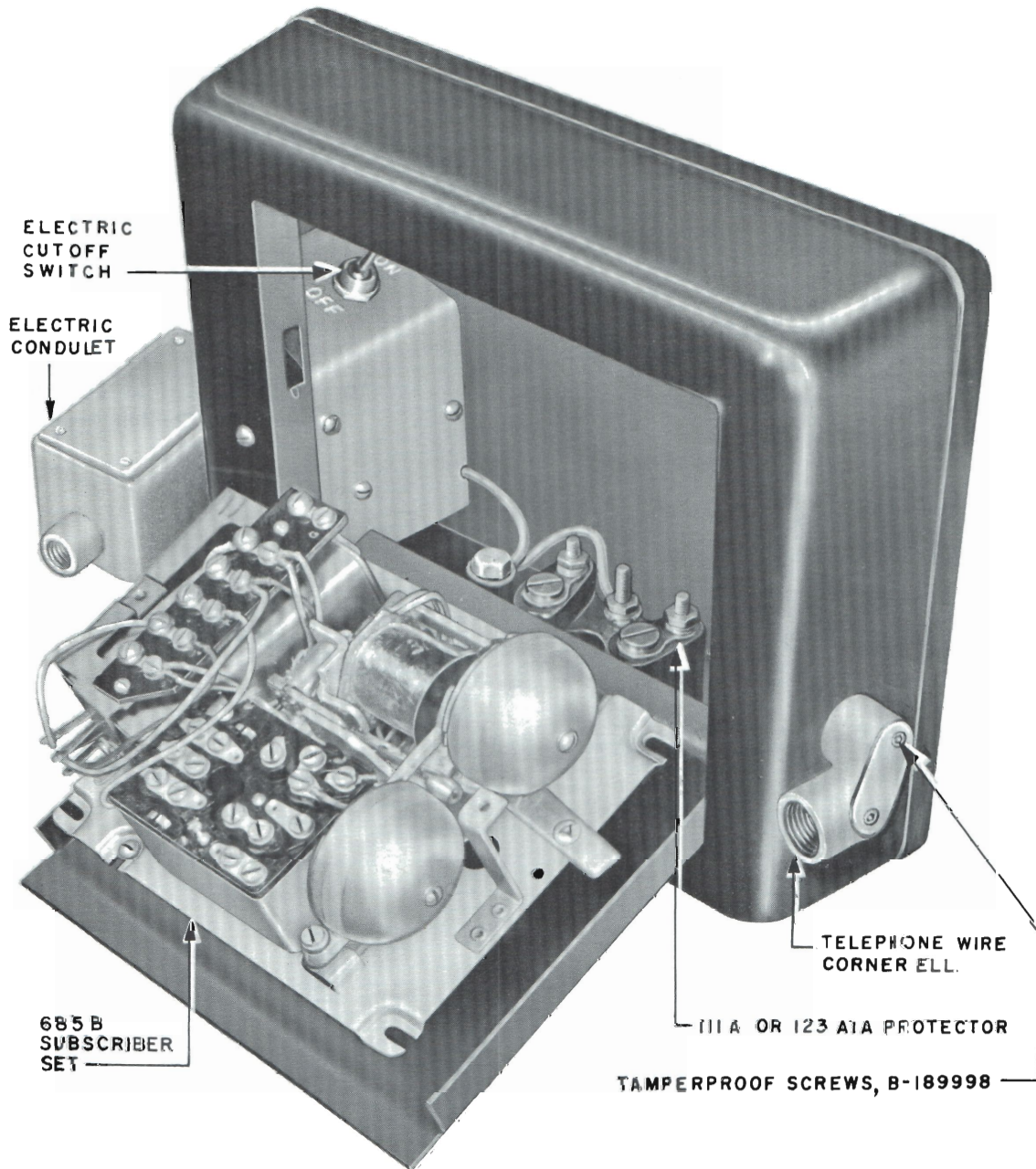


Fig. 12 — Subscriber Set Housing Assembly

3.08 Telephone service enters through conduit which connects to corner ell on right side of subscriber set housing. Tamperproof screws are used to secure the cover on the telephone wire corner ell. A station protector is provided in the housing for wire termination (Fig. 12).

3.09 Power service to mounting enters through conduit which connects to a Condulet on left side of subscriber set housing. An external

power switch and 15-ampere fuse must be in the power circuit that supplies mounting.

- Mounting is furnished wired internally with three No. 18 gauge stranded conductors. These black, white, and green conductors are to be connected to the power system line, neutral, and ground conductors, respectively.

TABLE A
KS-16705 MOUNTINGS AND ACCESSORIES

List	Description	Remarks
7	Mounting	Consists of a weather hood, a fluorescent light, a backboard, and a subscriber set housing. P-20E070 security studs are shipped loose with the mounting.
34	Panel	Left Hand (Orange)
35		Right Hand (Orange)
36		Left Hand (Green)
37		Right Hand (Green)
38		Left Hand (Translucent White)
41		Right Hand (Translucent White)
42		Left Hand (Clear)
43		Right Hand (Clear)
39	Conduit	Flexible Telephone Conduit Assembly
50	Sign	PHONE HERE (walk-up)
51		PHONE FROM CAR (drive-up)
52	Post Assembly	Mounting Post, steel pipe 3 by 80 inches
53	Cap	Close off top of post without a sign mast.
54	Clamp Assembly	Two clamps and hardware for use with list 52 post.
61	Hood Finish	Blue
62		Green
64		Orange
70	Mast Assembly	Consists of a steel pipe 2 by 63 inches, a cap (2 inch), a reducer (3 inches to 2 inches), and two spacers. Used for mounting two signs back to back above list 52 post.

3.10 The clamps, post, panels, mast, signs, and caps are accessory items which must be ordered separately. The particular list numbers for mounting accessories appear in Table A. Order shall specify 685A or 685B subscriber set. The

hood finish (list 61, 62, or 64) must also be specified.

3.11 The coin collector used with mounting must have a corrosion-resistant finish.

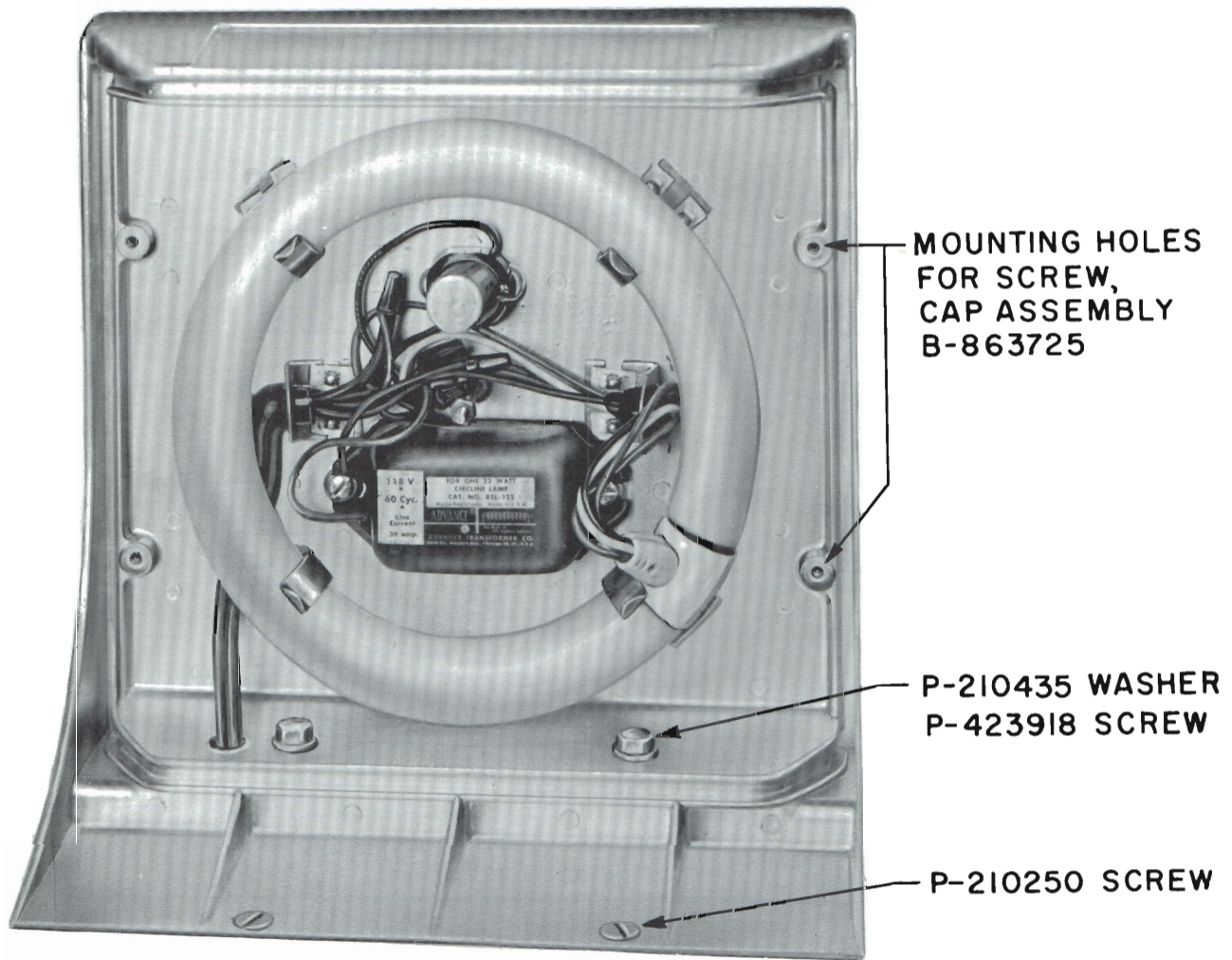


Fig. 13 — Light Assembly

3.12 A KS-16708, List 1 spring cord 9 feet long is required for drive-up installations. Order separately.

3.13 The light assembly (Fig. 13) is equipped with an FC8T9 lamp, 22-watt, and a TC2 starter.