

## SPEAKERPHONE SYSTEMS—3-TYPE 565-, 1565-, AND 2565-TYPE TELEPHONE SETS CONNECTIONS

### 1. GENERAL

**1.01** This section shows connections between components of the 3-type speakerphone system and the 565-, 1565-, and 2565-type telephone sets.

**1.02** This section is reissued to show:

- Connection information for the 1565- and 2565-type telephone sets formerly found in Sections 512-621-415 and 512-622-415 which are hereby canceled
- KS-19252L1 bridging adapter

Since this reissue covers a general revision, arrows ordinarily used to indicate changes have been omitted.

**1.03** The connections in this section are for use with 1A1 or 1A2 KTS. For conversion to 1A KTS or for complete telephone set connections refer to the appropriate section in Division 502.

**1.04** These sets may be used with the 55B or 55A\* modified control unit. Modified 55A

control units are identified by an asterisk following the code. The 565-type telephone set may be used with 55A (MD) control unit.

**1.05** When using a 666-type transmitter unit equipped with a T11A cord, insulate and store the spare conductors.

### 2. CONNECTIONS

Fig. 1—Connections for 565-Type Telephone Set Using 66E-Type Connecting Block

Fig. 2—Connections for 565-Type Telephone Set Using 149-Type Adapter

Fig. 3—Connections for 1565- or 2565-Type Telephone Set Using 66E-Type Connecting Block

Fig. 4—Connections for 1565- or 2565-Type Telephone Set Using 149-Type Adapter

Fig. 5—Use of KS-19252L1 Bridging Adapter

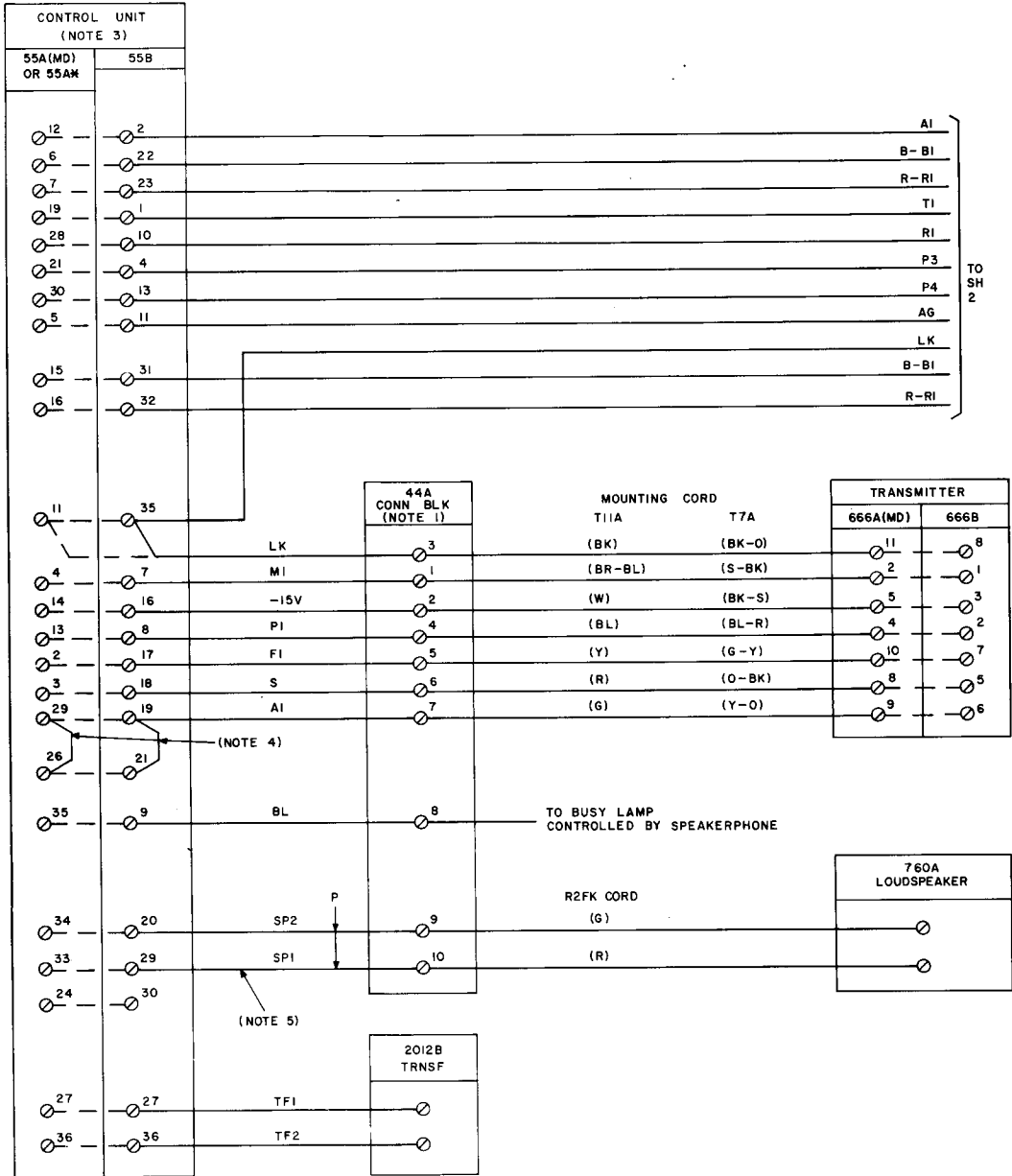
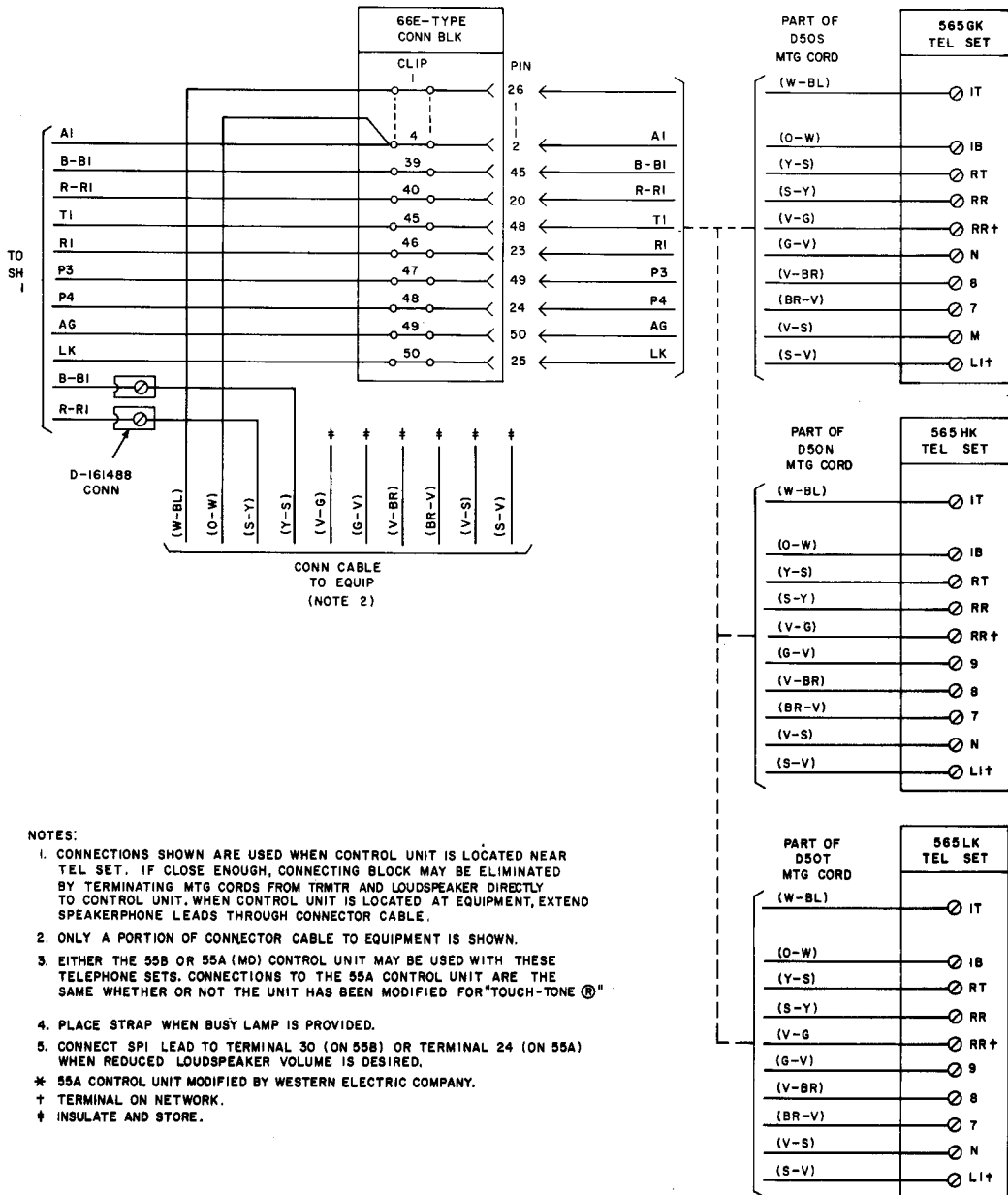


Fig. 1—Connections for 565-Type Telephone Set Using 66E-Type Connecting Block (Sheet 1 of 2)



NOTES:

1. CONNECTIONS SHOWN ARE USED WHEN CONTROL UNIT IS LOCATED NEAR TEL SET. IF CLOSE ENOUGH, CONNECTING BLOCK MAY BE ELIMINATED BY TERMINATING MTG CORDS FROM TRMTR AND LOUDSPEAKER DIRECTLY TO CONTROL UNIT. WHEN CONTROL UNIT IS LOCATED AT EQUIPMENT, EXTEND SPEAKERPHONE LEADS THROUGH CONNECTOR CABLE.
  2. ONLY A PORTION OF CONNECTOR CABLE TO EQUIPMENT IS SHOWN.
  3. EITHER THE 55B OR 55A (ND) CONTROL UNIT MAY BE USED WITH THESE TELEPHONE SETS. CONNECTIONS TO THE 55A CONTROL UNIT ARE THE SAME WHETHER OR NOT THE UNIT HAS BEEN MODIFIED FOR "TOUCH-TONE®".
  4. PLACE STRAP WHEN BUSY LAMP IS PROVIDED.
  5. CONNECT SPI LEAD TO TERMINAL 30 (ON 55B) OR TERMINAL 24 (ON 55A) WHEN REDUCED LOUDSPEAKER VOLUME IS DESIRED.
- \* 55A CONTROL UNIT MODIFIED BY WESTERN ELECTRIC COMPANY.  
 † TERMINAL ON NETWORK.  
 ‡ INSULATE AND STORE.

Fig. 1—Connections for 565-Type Telephone set Using 66E-Type Connecting Block (Sheet 2 of 2)

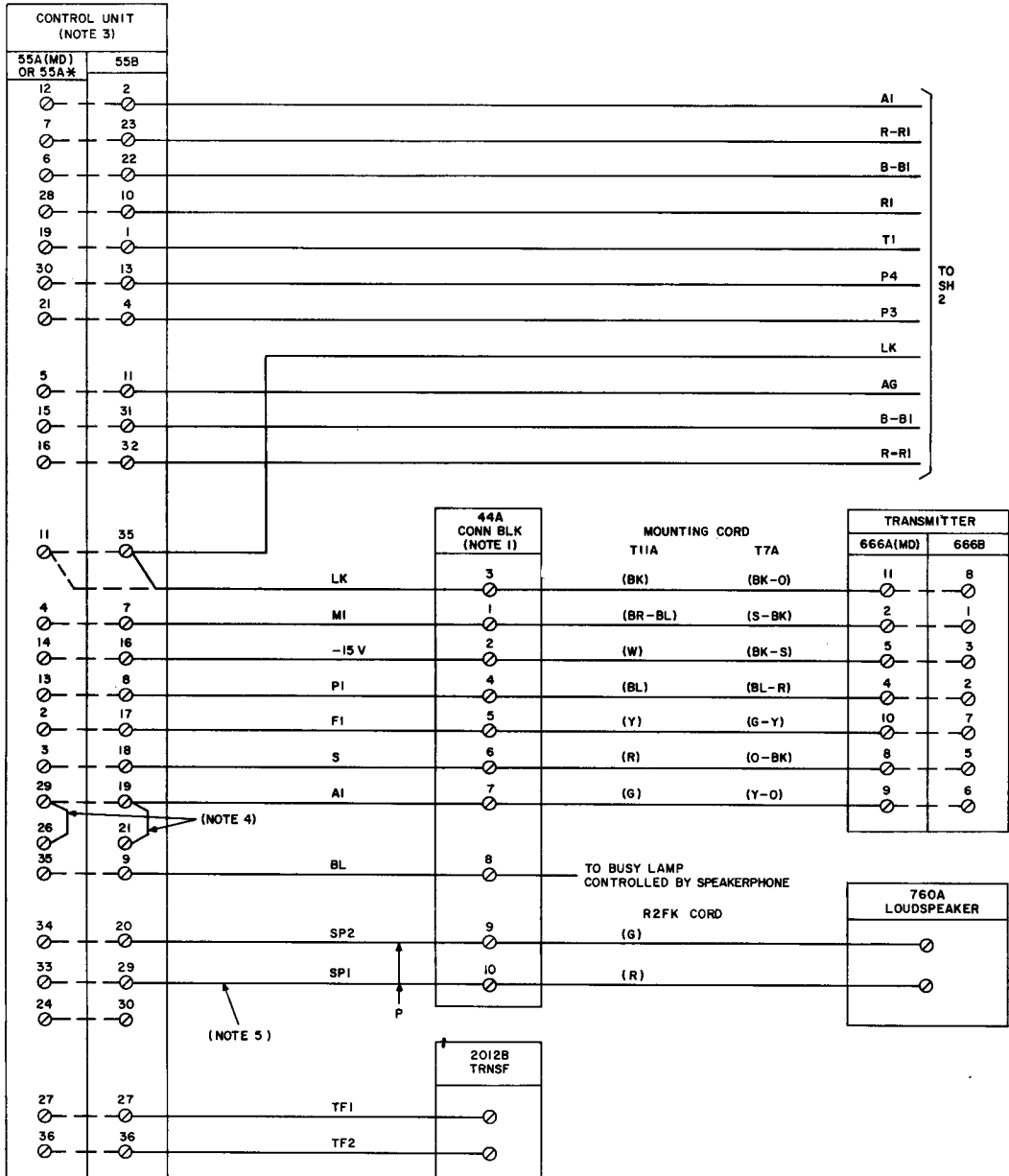


Fig. 2—Connections for 565-Type Telephone Set Using 149-Type Adapter (Sheet 1 of 2)

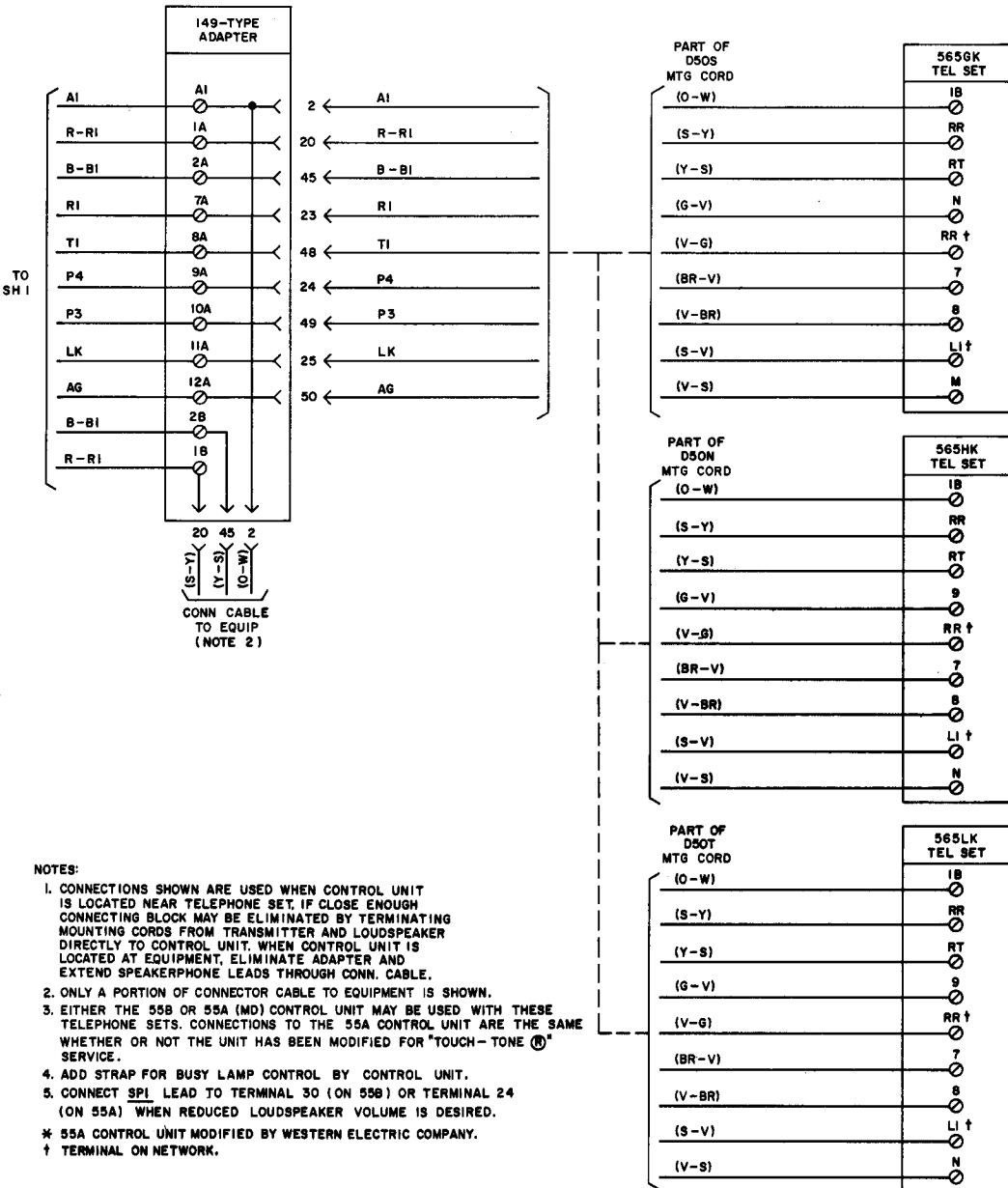


Fig. 2—Connections for 565-Type Telephone Set Using 149-Type Adapter (Sheet 2 of 2)

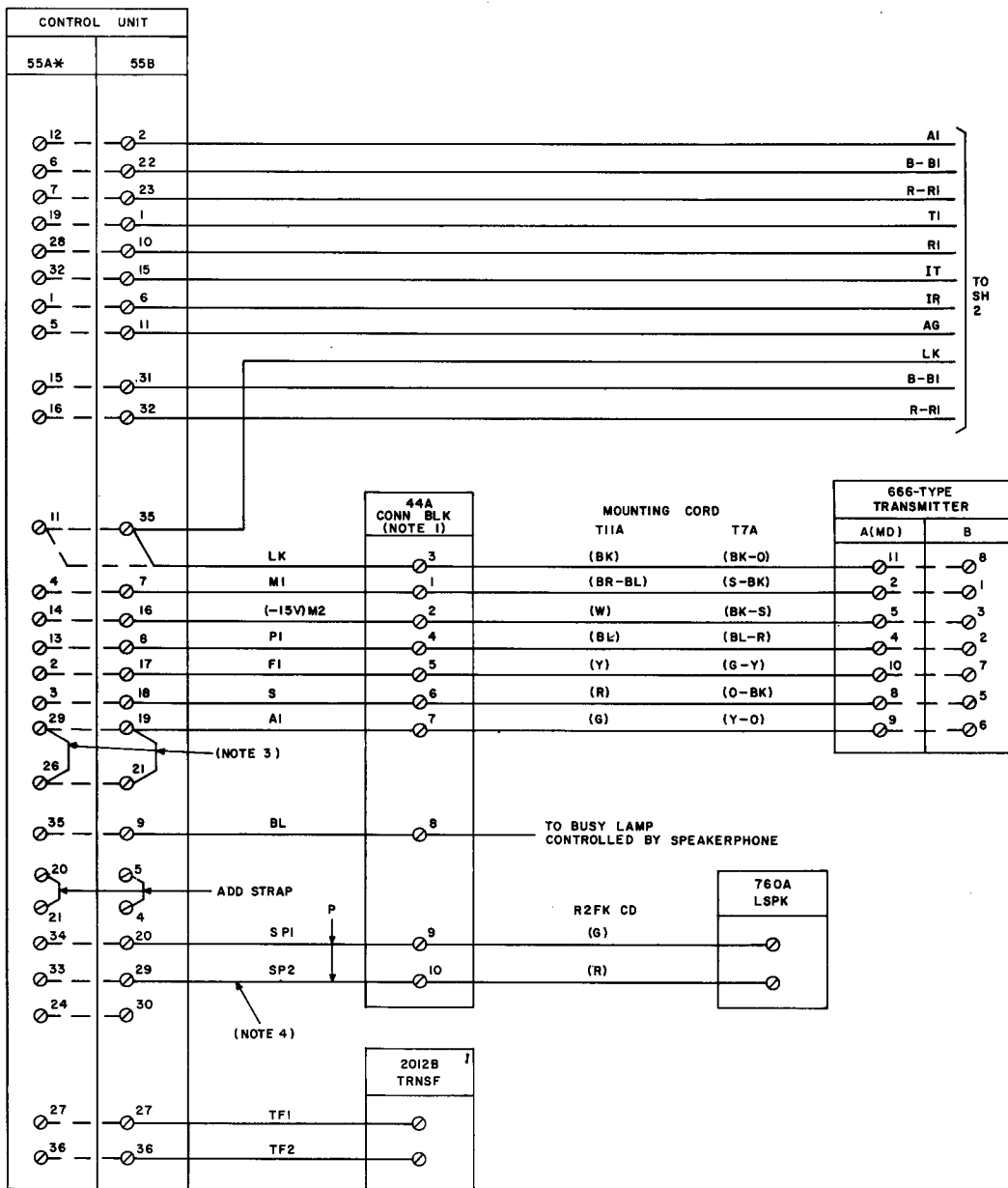
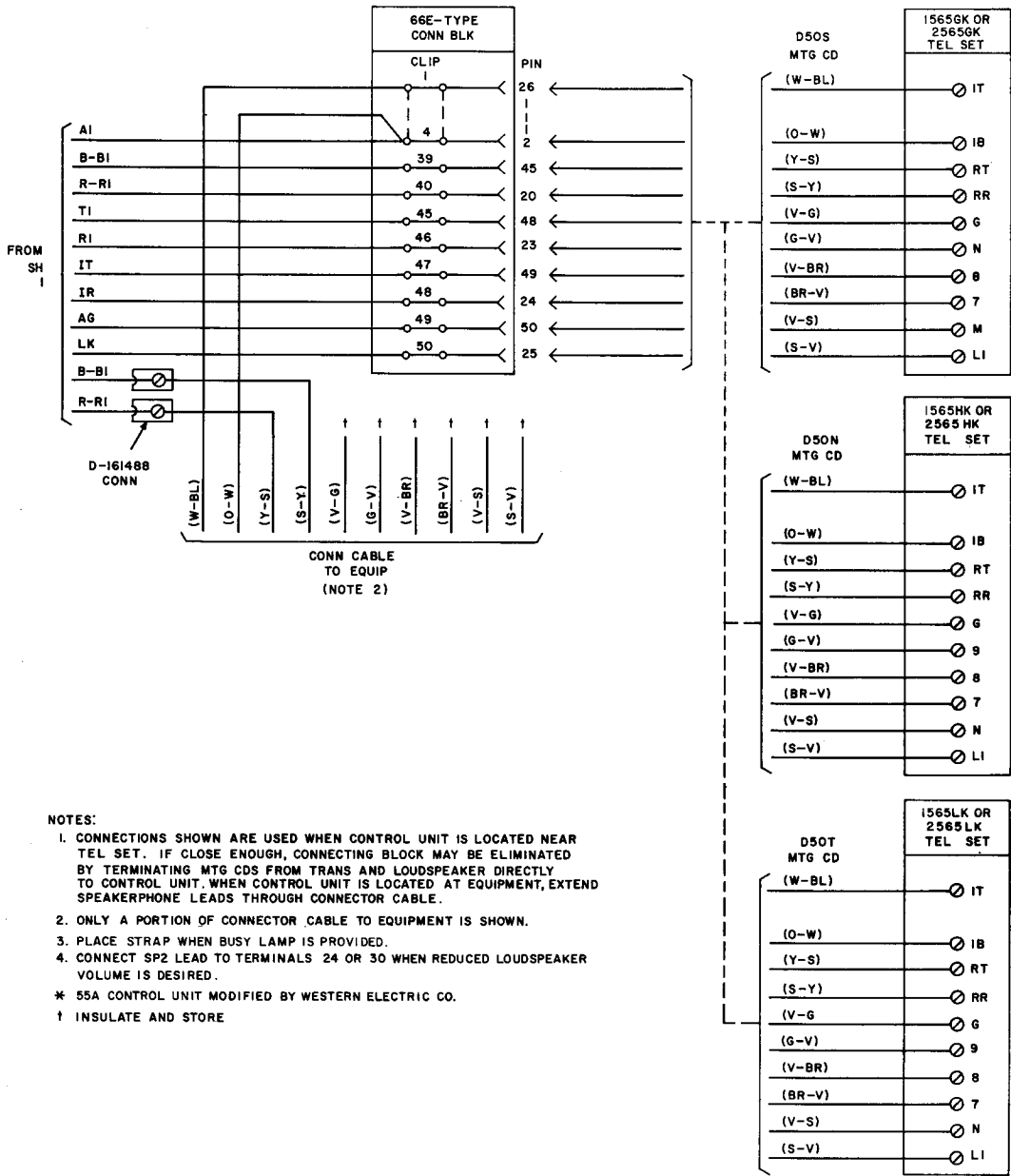


Fig. 3—Connections for 1565- or 2565-Type Telephone Set Using 66E-Type Connecting Block (Sheet 1 of 2)



- NOTES:
1. CONNECTIONS SHOWN ARE USED WHEN CONTROL UNIT IS LOCATED NEAR TEL SET. IF CLOSE ENOUGH, CONNECTING BLOCK MAY BE ELIMINATED BY TERMINATING MTG CDS FROM TRANS AND LOUDSPEAKER DIRECTLY TO CONTROL UNIT. WHEN CONTROL UNIT IS LOCATED AT EQUIPMENT, EXTEND SPEAKERPHONE LEADS THROUGH CONNECTOR CABLE.
  2. ONLY A PORTION OF CONNECTOR CABLE TO EQUIPMENT IS SHOWN.
  3. PLACE STRAP WHEN BUSY LAMP IS PROVIDED.
  4. CONNECT SP2 LEAD TO TERMINALS 24 OR 30 WHEN REDUCED LOUDSPEAKER VOLUME IS DESIRED.
- \* 55A CONTROL UNIT MODIFIED BY WESTERN ELECTRIC CO.  
 † INSULATE AND STORE

Fig. 3—Connections for 1565- or 2565-Type Telephone Set Using 66E-Type Connecting Block (Sheet 2 of 2)

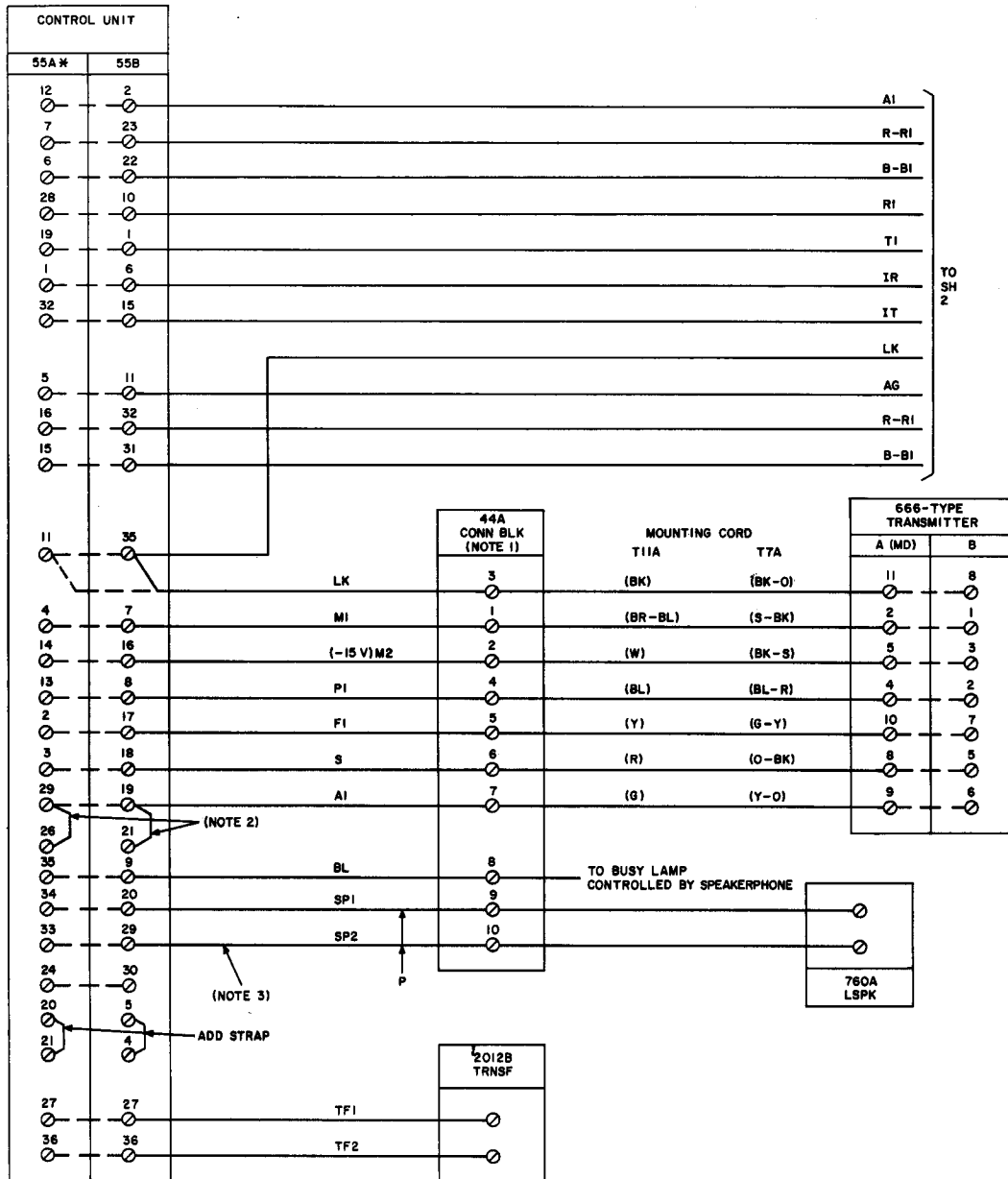
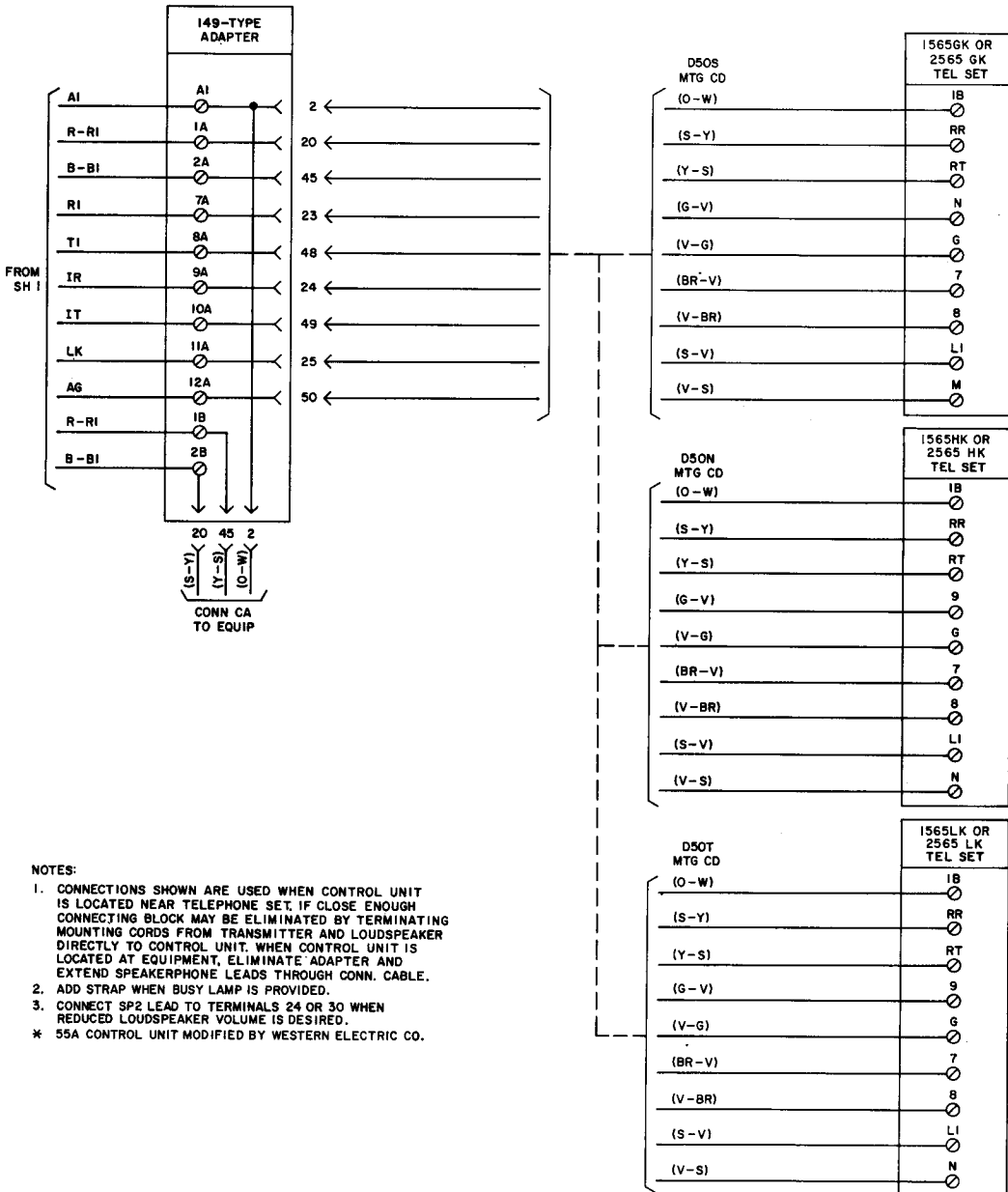


Fig. 4—Connections for 1565- or 2565-Type Telephone Set Using 149-Type Adapter (Sheet 1 of 2)





- NOTES:
1. CONNECTIONS SHOWN ARE USED WHEN CONTROL UNIT IS LOCATED NEAR TELEPHONE SET. IF CLOSE ENOUGH CONNECTING BLOCK MAY BE ELIMINATED BY TERMINATING MOUNTING CORDS FROM TRANSMITTER AND LOUDSPEAKER DIRECTLY TO CONTROL UNIT. WHEN CONTROL UNIT IS LOCATED AT EQUIPMENT, ELIMINATE ADAPTER AND EXTEND SPEAKERPHONE LEADS THROUGH CONN. CABLE.
  2. ADD STRAP WHEN BUSY LAMP IS PROVIDED.
  3. CONNECT SP2 LEAD TO TERMINALS 24 OR 30 WHEN REDUCED LOUDSPEAKER VOLUME IS DESIRED.
- \* 55A CONTROL UNIT MODIFIED BY WESTERN ELECTRIC CO.

Fig. 4—Connections for 1565- or 2565-Type Telephone Set Using 149-Type Adapter (Sheet 2 of 2)

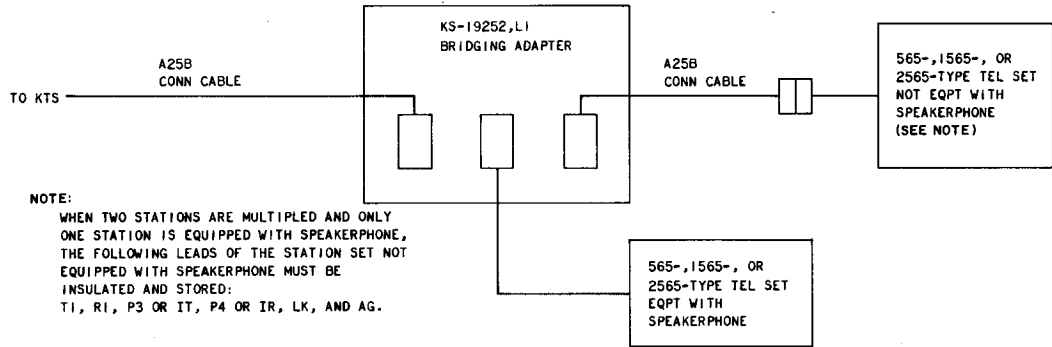


Fig. 5—Using KS-19252L1 Bridging Adapter