

## SPEAKERPHONE SYSTEM—3-TYPE

### 632-, 1632-, AND 2632-TYPE TELEPHONE SETS

### CONNECTIONS AND MAINTENANCE

#### 1. GENERAL

**1.01** This section contains the modification and connection information for the 632-, 1632-, and 2632-type telephone set when used with the 3-type speakerphone system. Maintenance of components installed in the set, as a result of the modification, is also covered.

**1.02** This section is reissued to include connection and maintenance information on 1632- and 2632-type telephone formerly found in Sections 512-621-432 and 512-622-432 which are hereby canceled.

Since this reissue covers a general revision, arrows ordinarily used to indicate changes have been omitted.

#### 2. MODIFICATION

**2.01** The 632A-11, -12, or -13, and 632C-11, -12, or -13; 1632C-11, -12, or -13; and 2632C-11, -12, or 13 telephone sets contain a 667B transmitter in the third module position and are wired for use with 3-type speakerphone. Other codes of 632-, 1632-, and 2632-type telephone sets may be converted for use with 3-type speakerphone by installing a 667B transmitter in the third module position.

**2.02** To install 667B transmitter:

- (1) Remove telephone set faceplate, mat, and housing. See Section 502-600-100 for procedures.
- (2) Remove key unit or apparatus blank in right-hand module position and plug in a 667B transmitter (ordered separately).
- (3) Connect transmitter spade-tipped leads as shown in Fig. 1 for 632-type, Fig. 2 for 1632-type, and Fig. 3 for 2632-type.

(4) If a 632-type set is equipped with 8R dial, replace with 8C dial (ordered separately).

(5) Install housing using reverse procedure.

(6) Install new faceplate and mat (ordered separately) in which transmitter cutouts are provided.

#### 3. CONNECTIONS



*For proper operation of the 3-type speakerphone system, ground must be present on the A1-lead. Connect ground to the appropriate telephone set terminal or at the 55-type control unit.*

**3.01** A 55B control unit or a 55A\* modified for TOUCH-TONE® service must be used with the 1632- and 2632-type telephone sets. The modified 55A\* control unit may also be used with the 632-type telephone set. Modified 55A\* control units are indicated by an asterisk following the code stenciled on the unit.

**3.02** Upon customer's request, services such as interrupted buzzer or ringer and station busy lamp control can be connected through relay contacts of the 55-type control unit.

**3.03** Connection is also shown for station busy lamp controlled by speakerphone. Where it is desired to have the busy lamp controlled by both speakerphone and line switch, refer to the Service section for the set involved.

#### 4. MAINTENANCE

**4.01** Maintenance of these telephone sets is found in Section 502-600-100. Maintenance for speakerphone components is provided in Section 512-620-100.

4.02 The 667B transmitter is subject to pickup and amplification of mechanical spring vibrations when used in some CALL DIRECTOR® telephone sets. This complaint can be eliminated by the installation of a factory modified transmitter, ordered as follows: "Transmitter, 667B, Modified per D-180196."

4.03 Packed with the modified 667B transmitter is a piece of split vinyl tubing which shall be assembled to the key pivot bar of the telephone set when installing the transmitter.

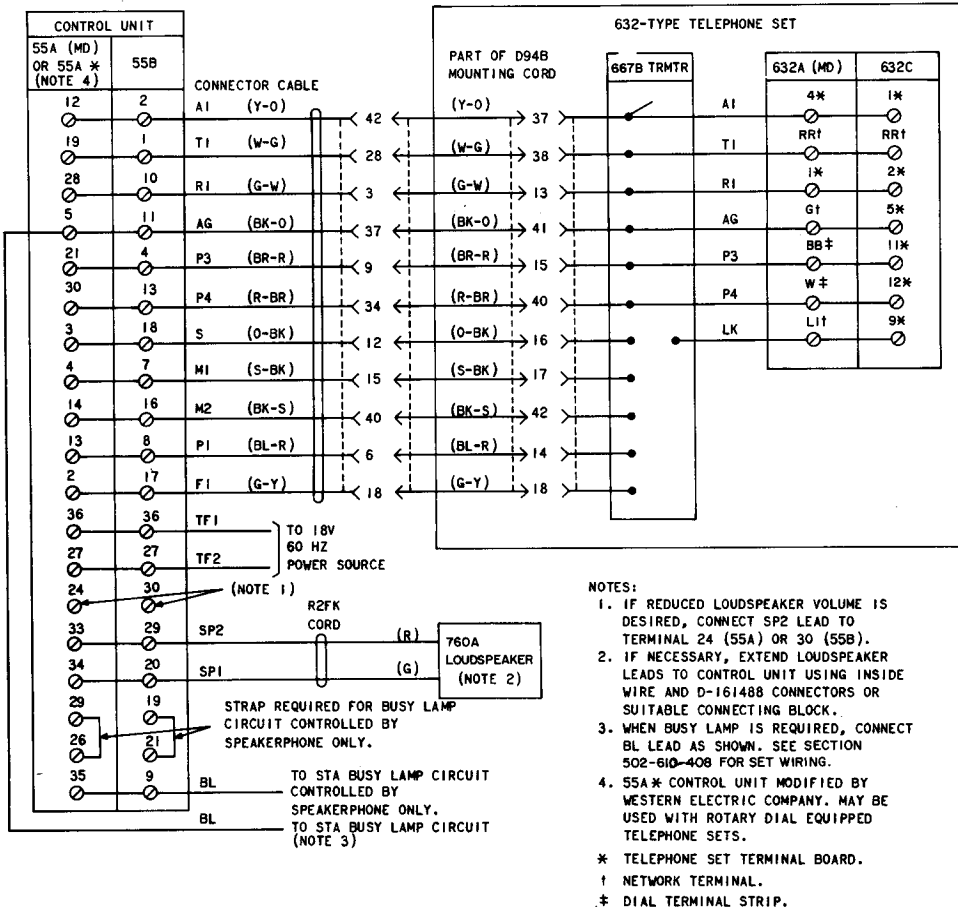


Fig. 1—632-Type Telephone Set, Connections To 3-Type Speakerphone System

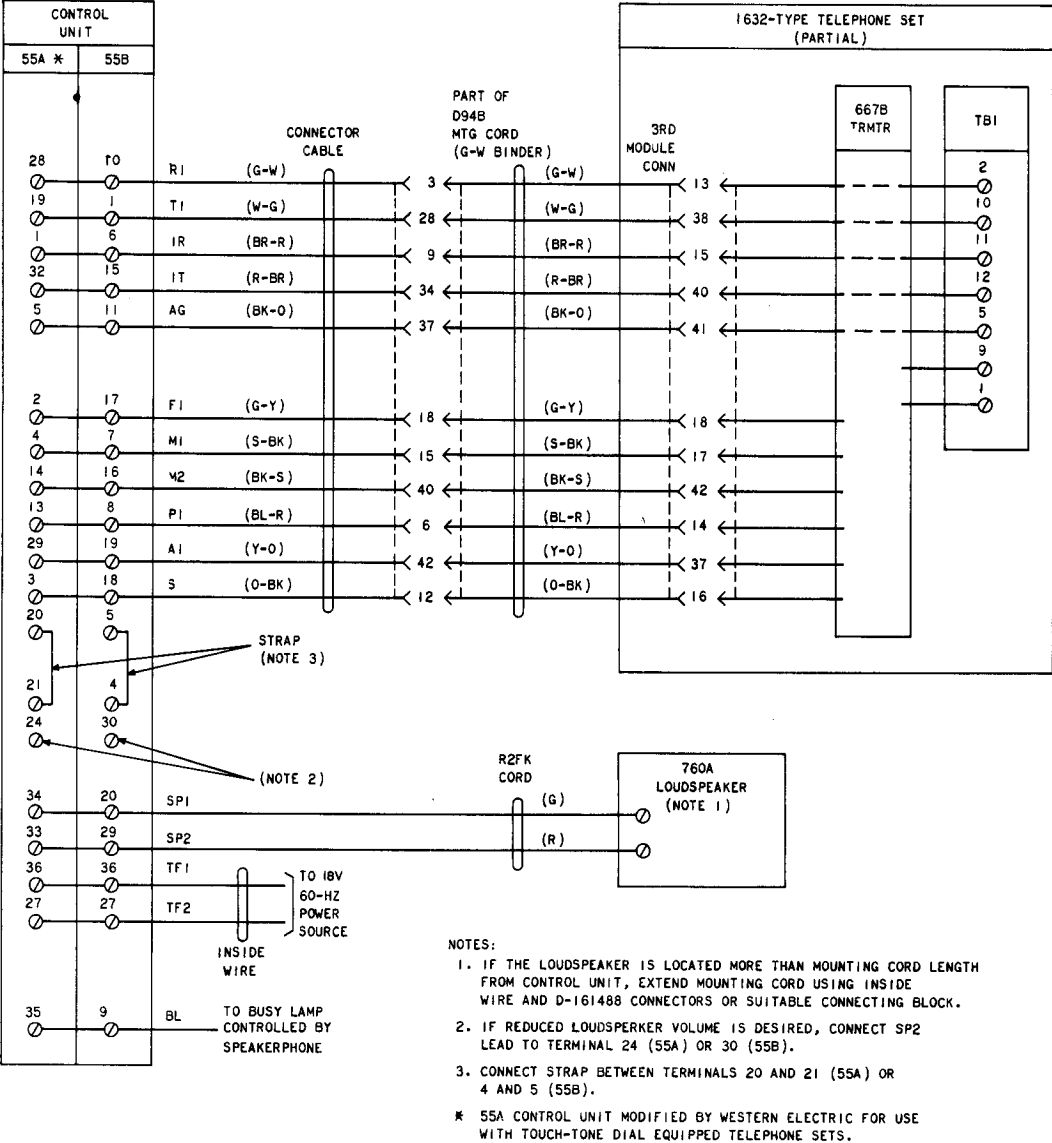


Fig. 2—1632-Type Telephone Set, Connections to 3-Type Speakerphone System

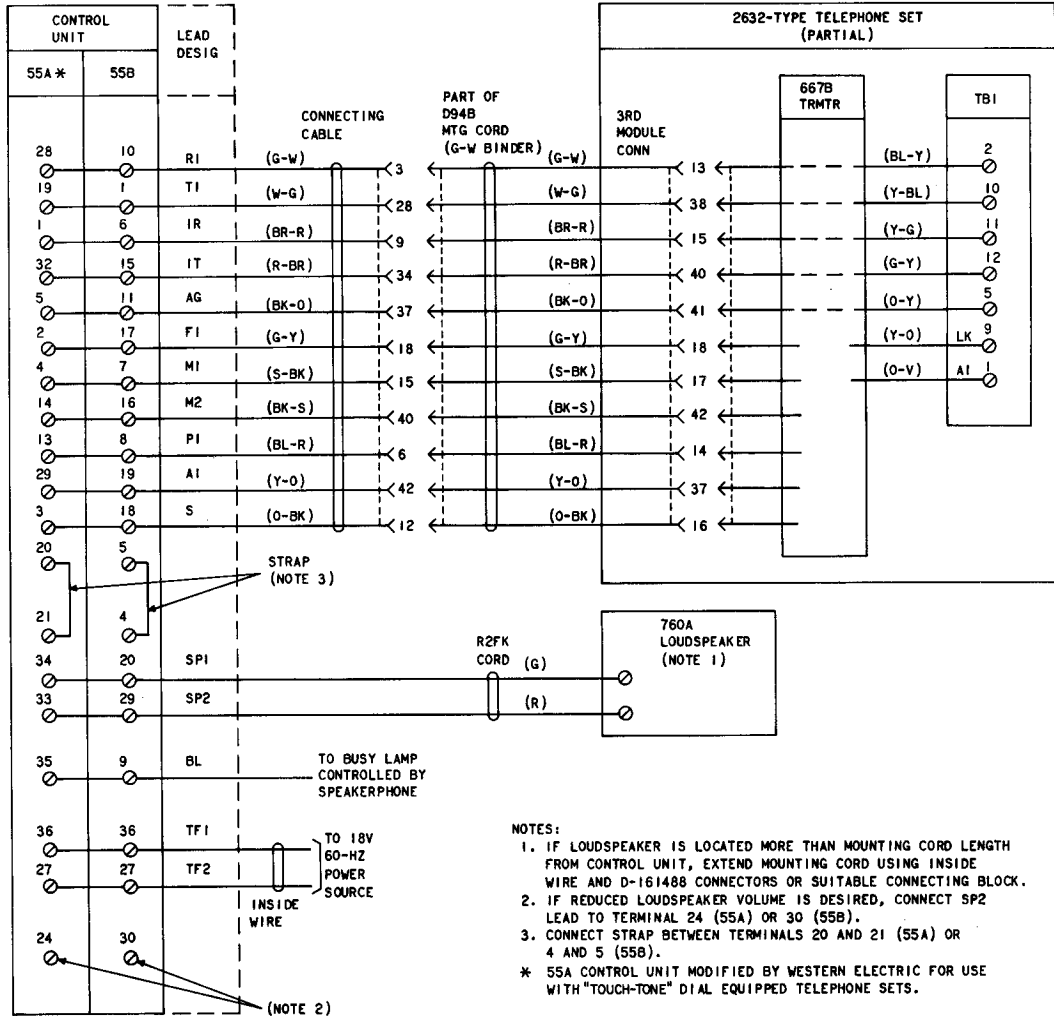


Fig. 3—2632-Type Telephone Set, Connections to 3-Type Speakerphone System