

**SPEAKERPHONE SYSTEM—3-TYPE
660A1 TELEPHONE SET
CONNECTIONS AND MAINTENANCE**

1. GENERAL

1.01 This section is reissued to change section reference in 3.01.

1.02 Telephone sets equipped with an 8R dial must be equipped with an 8C dial when connected for use with 3-type speakerphone in addition to other modifications, see Table A.

2. CONNECTION INDEX

Table A—660A1 Telephone Set—Modification for Speakerphone

Fig. 1—660A1 Telephone Set, Connections To 3-Type Speakerphone

Fig. 2—660A1 Telephone Set Wired For Speakerphone

3. MAINTENANCE

3.01 Refer to Division 502 for maintenance information for the 660A1 telephone set and to Division 512 for maintenance of 3-type speakerphone components. ♦

**TABLE A
660A1 TELEPHONE SET — MODIFICATION FOR SPEAKERPHONE**

WIRE OR LEAD		1A1 OR 1A2 KEY TEL SYS	INDIVIDUAL OR BRIDGED	RING PARTY	TIP PARTY
Line Switch	(BR) [S-G] (Y) [S-W] (W) [S-BR]	TB1-1 TB1-P2 C of net	* TB1-P2 C of net	* TB1-P2 C of net	* TB1-P2 C of net
Ringer Straps	(R) (BK)	L1 of net F of net	L1 of net F of net	L1 of net TB1-P2	F of net TB1-P2
8C Dial (Note 1)	(Y) (Y) (W) (W) (BL) (G) or (BL)	TB2	{ 1 2 3 4 5 6		
Add Straps	MIW cord or equivalent			TB2-1 to 41-type dial, terminal 1 TB2-2 to 41-type dial, terminal 2	
D10R Mounting Cord (Note 2)	R (BL-W) T (W-BL) A1 (O-W)	TB1-L1 F of net. TB1-P2			
	T1 (W-O) P4 (G-W) P3 (W-G)	41-type dial, terminal 6 41-type dial, terminal 1 41-type dial, terminal 2			
	A (BR-W)	TB1-1	*	*	*
	LK (W-BR) P1 (S-W) P2 (W-S)	TB1-L2 41-type dial, terminal P1 41-type dial, terminal P2			

Notes: 1. Replace 8R dial with 8C dial (order separately) * Insulate and store.
2. Replace D6AF cord with D10R (order separately) () Current color code.
 [] MD color code.

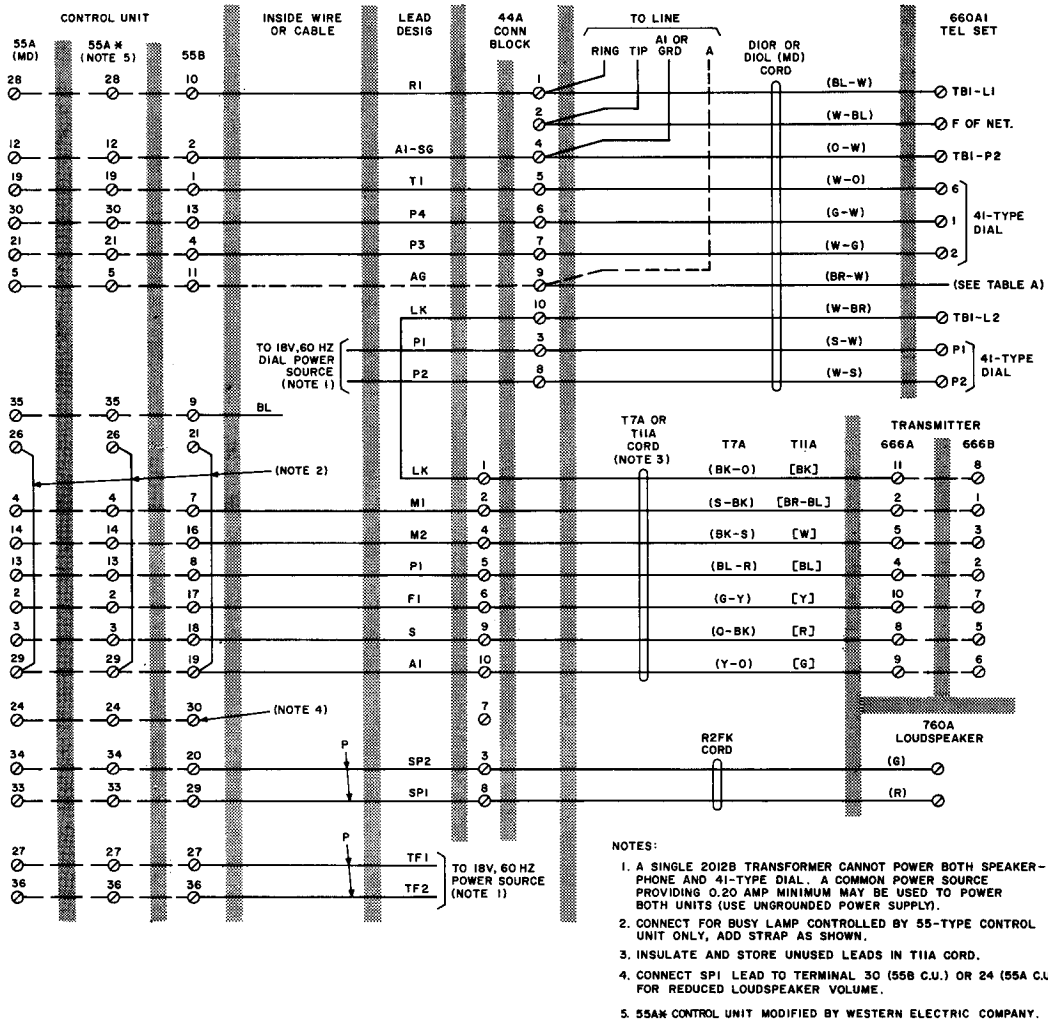


Fig. 1—660A1 Telephone Set, Connections to 3-Type Speakerphone

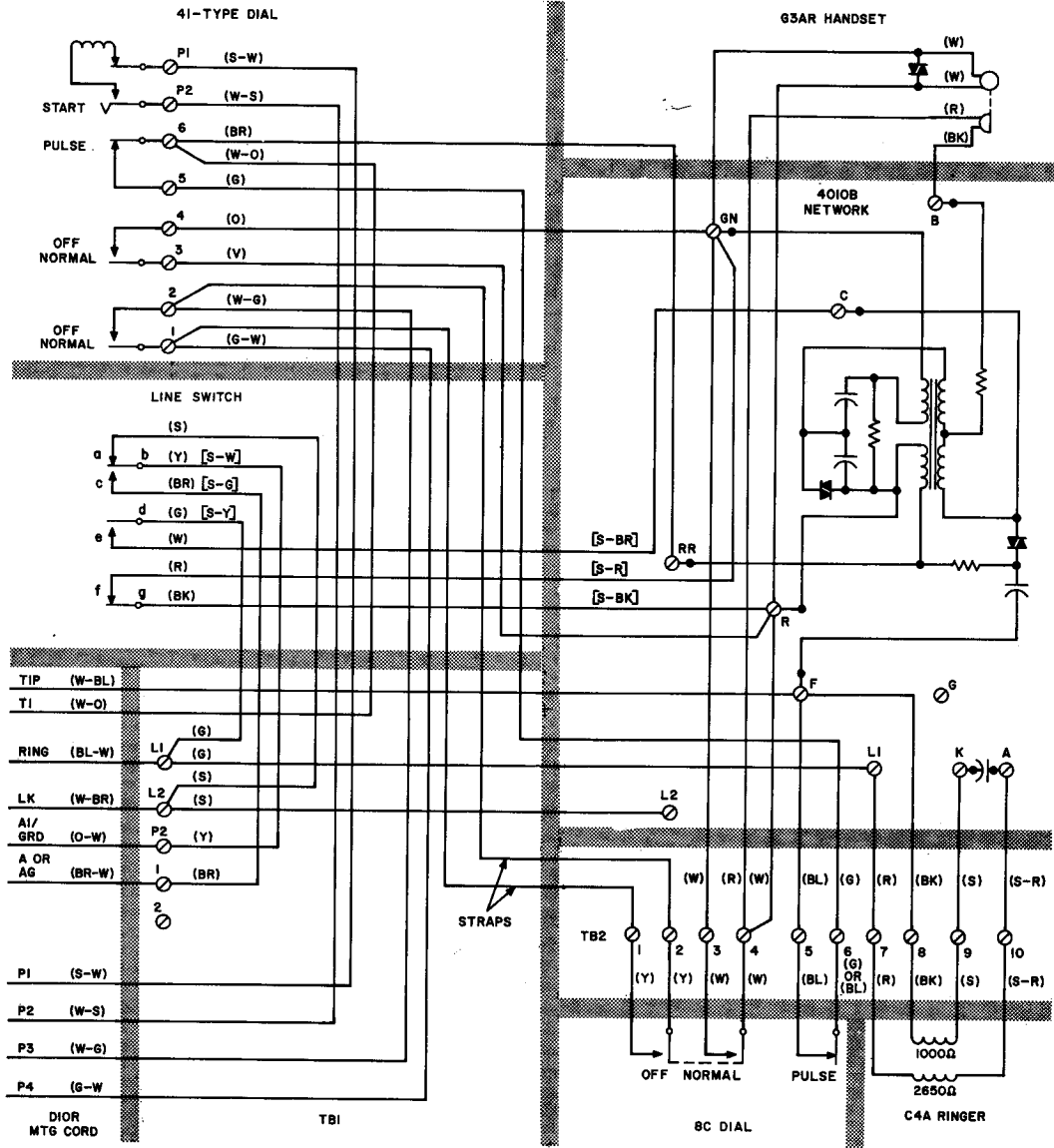


Fig. 2—660A1 Telephone Set Wired for Speakerphone