

566MD AND 566MDM TELEPHONE SET CONNECTIONS SPEAKERPHONE SYSTEM—4A

1. GENERAL

1.01 This section contains information for the 566MD (MD) and 566MDM telephone set working with a 755A PBX to provide 4A speakerphone service.

1.02 This section is reissued to:

- Add safety information for the 85B1 power unit
- Revise Fig. 1 and 2
- Show 227A KTU MD
- Add 227B KTU.

1.03 For detailed information on the components of the 4A speakerphone system, refer to Section 512-700-100.

1.04 To provide speakerphone, a 66E3-25 or equivalent connecting block and a 223A (MD) or 223D adapter (Fig. 1) is required.

2. CONNECTIONS

A. 223A (MD) or 223D Adapter

2.01 Cords from the loudspeaker set, transmitter and power unit are plugged into the adapter (Fig. 1). Adapter cover must be fastened securely to assure proper mating of connectors. The telephone set mounting cord is plugged into the 66E3-25 connecting block (Fig. 1). Access to the speakerphone leads is obtained through the M16C (MD) or M16H cord at the connecting block. At the 66E3-25 connecting block, 161A adapters must be used to connect the spade tips of the M16C or M16H cord. Install the adapters as outlined in Section 461-604-100.

B. 108-Type Loudspeaker Set

2.02 Loudspeaker set and transmitter must be a minimum of one foot apart, to avoid feedback.

C. 680-Type Transmitter

2.03 Transmitter must be at least two feet from transformer or any ac power device to avoid noise in the transmitter.

D. 85B1 Power Unit

2.05 Use an ac power outlet (not under control of a switch) located as close as possible to the system being installed. A retaining clamp (Fig. 1) will be shipped with the 85B1 power unit and should be mounted to the ac receptacle to hold power unit securely to prevent accidental loss of power.

2.06 Power can be supplied by making connections as shown in Fig. 2.

2.07 The M2FG cord is furnished as part of the 223-type adapter for connecting the 85B1 power unit.

2.08 The 85B1 power unit should be located less than 125 feet from 108-type loudspeaker set when using 24 gauge wire or less than 85 feet when using 26 gauge wire. Refer to Section 512-700-100 for details on power supply information.

Danger: ♦For safety, securely attach retaining clamp to ac outlet using outlet cover screw before attempting to install 85B1 power unit. The power unit and any other cord plugged into the ac outlet should always be unplugged completely from outlet before attempting to attach or remove

NOTICE

Not for use or disclosure outside the
Bell System except under written agreement

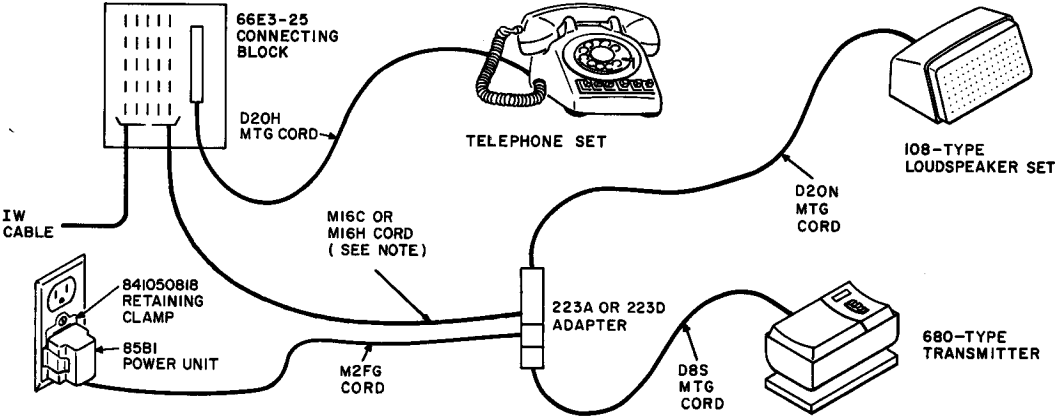
the clamp. This will prevent the possibility of a loosened retainer clamp on metallic outlet cover making contact with the ac prongs on the 85B1 power unit when partially withdrawn from outlet. Do not use retaining clamp on outlets where center mounting screw holds the duplex outlet in the box.

Warning: Care should be taken to trim and dress leads connecting to low voltage output terminals of 85B1 power unit to assure that inadvertent connection to conducting surfaces or other power source does not occur. If more than one power unit is plugged into a multiple receptacle

power strip, there must be at least one inch separation between power units. Only UL listed receptacle power strips with adequate power rating shall be used. Use of a continuous terminal power strip that allows the secondary output terminals of the power unit to be in close proximity to the ac line source is not recommended.

E. 227A (MD) or 227B Key Telephone Unit (KTU)

2.09 The 227A (MD) or 227B KTU controlled by the station set switchhook or the speakerphone relay provides switchhook functions for the telephone set or speakerphone, and can also provide for station busy lamp control as required.



NOTE:
DISCONNECT, INSULATE, AND STORE ALL SPEAKERPHONE LEADS
IN THE IW CABLE. CONNECT M16C OR M16H CORD TO
CONNECTING BLOCK USING 161A ADAPTERS.

Fig. 1—4A Speakerphone System Arrangement 566MD (MD) or 566MDM Key Telephone Set Using 223A (MD) or 223D Adapter

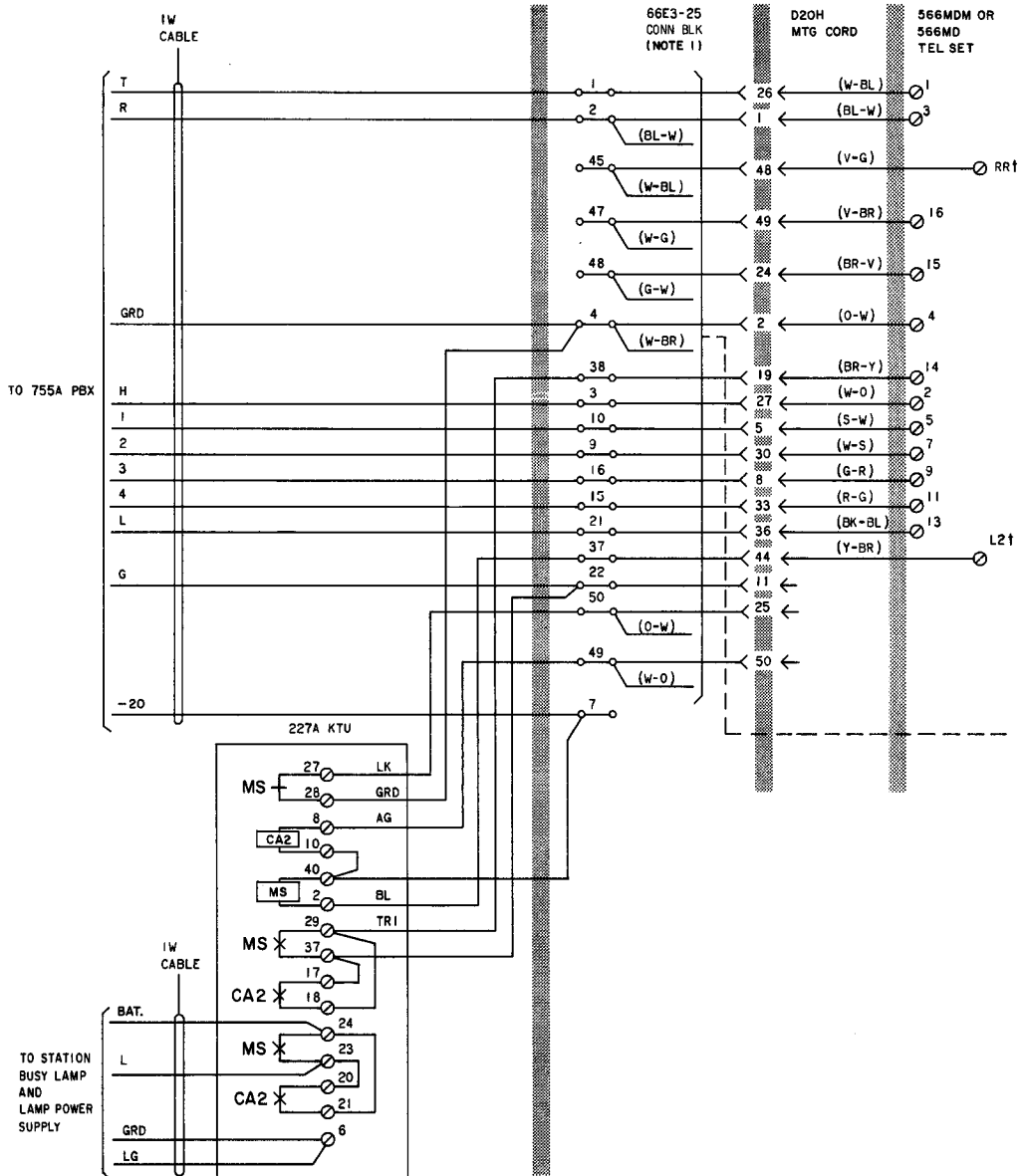
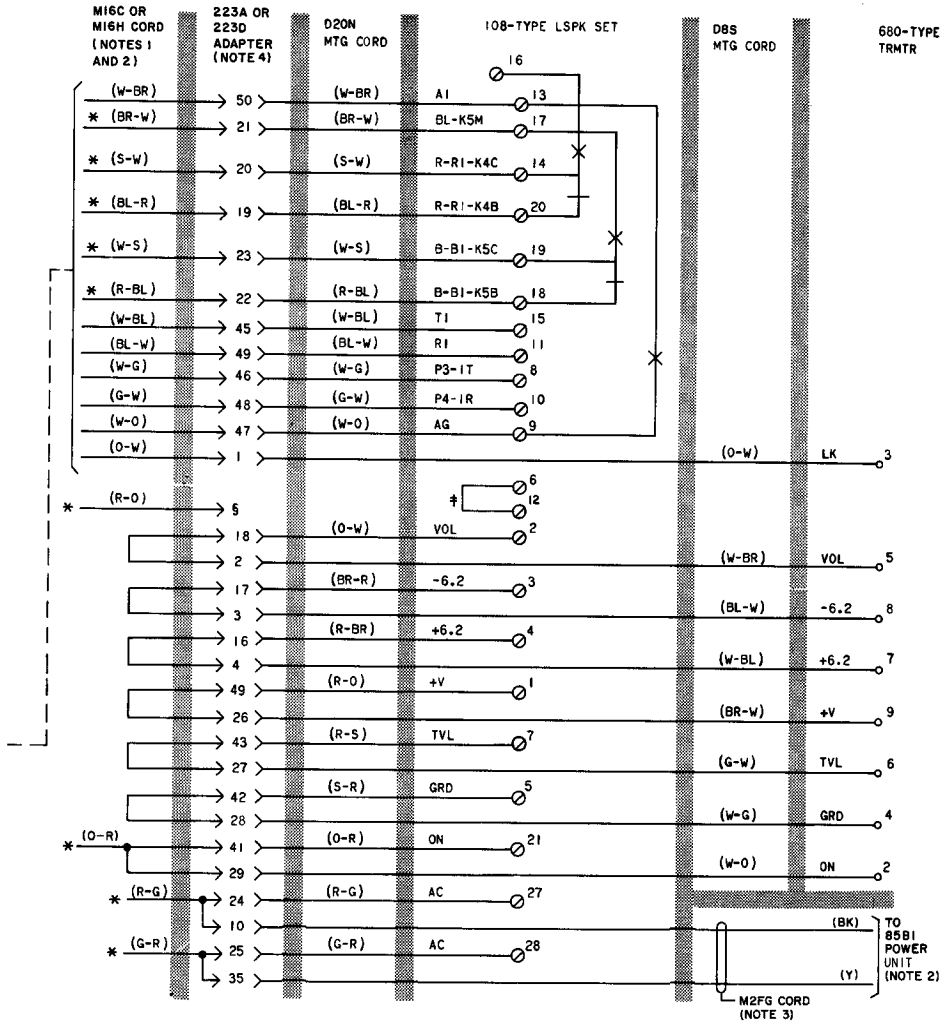


Fig. 2—4A Speakerphone System Arrangement, Connections to 566MD (MD) or 566MDM Telephone Set With 755A PBX (Sheet 1 of 2)



- NOTES:
1. CONNECT ADAPTER CORD TO 66E3-25 CONN BLOCK USING 161A ADAPTERS.
 2. WHEN POWER IS SUPPLIED FROM KEY EQUIPMENT CONNECT BUZZER PAIR (Y-O), (O-Y) TO (R-G), (G-R) LEADS IN M16C OR M16H CORD USING SPARE TERMINALS OR D-1614BB CONNECTORS. BE SURE TO DISCONNECT BUZZER AND REMOVE M2FG CORD FROM 223A OR 223D ADAPTER.
 3. (R) AND (G) CONDUCTORS ARE NOT TERMINATED IN PLUG OF M2FG CORD; ONLY (BK) AND (Y) CONDUCTORS ARE USED.
 4. (O-R) LEAD IS DEAD DRESSED IN PLUG OF 223A ADAPTER.
- * INSULATED AND STORED
 + NETWORK TERMINAL
 † STRAP BETWEEN TERMINALS 6 AND 12 ON 108AA LOUDSPEAKER SET ONLY.
 § DEAD DRESSED

Fig. 2—4A Speakerphone System Arrangement, Connections to 566MD (MD) or 566MDM Telephone Set With 755A PBX (Sheet 2 of 2)