

KS-19245, LIST 1 TELEPHONE ANSWERING SET INSTALLATION AND CONNECTIONS

1. GENERAL

1.01 This section contains installation and connection information for the KS-19245, List 1 telephone answering set (Fig. 1).

1.02 This section is reissued to:

- Show KS-19245, List 4 amplifier is not to be adjusted in the field
- Rearrange information in text for clarity

2. POWER

2.01 The KS-19245, List 1 telephone answering set is designed to operate on 110/125-volt AC 60 Hz power supply.



In no case should the answering set be connected to DIRECT CURRENT. This would result in serious damage to answering set.

2.02 If direct current is the only available power supply, a KS-15662, List 1 inverter must be used. Installation of this inverter is described in

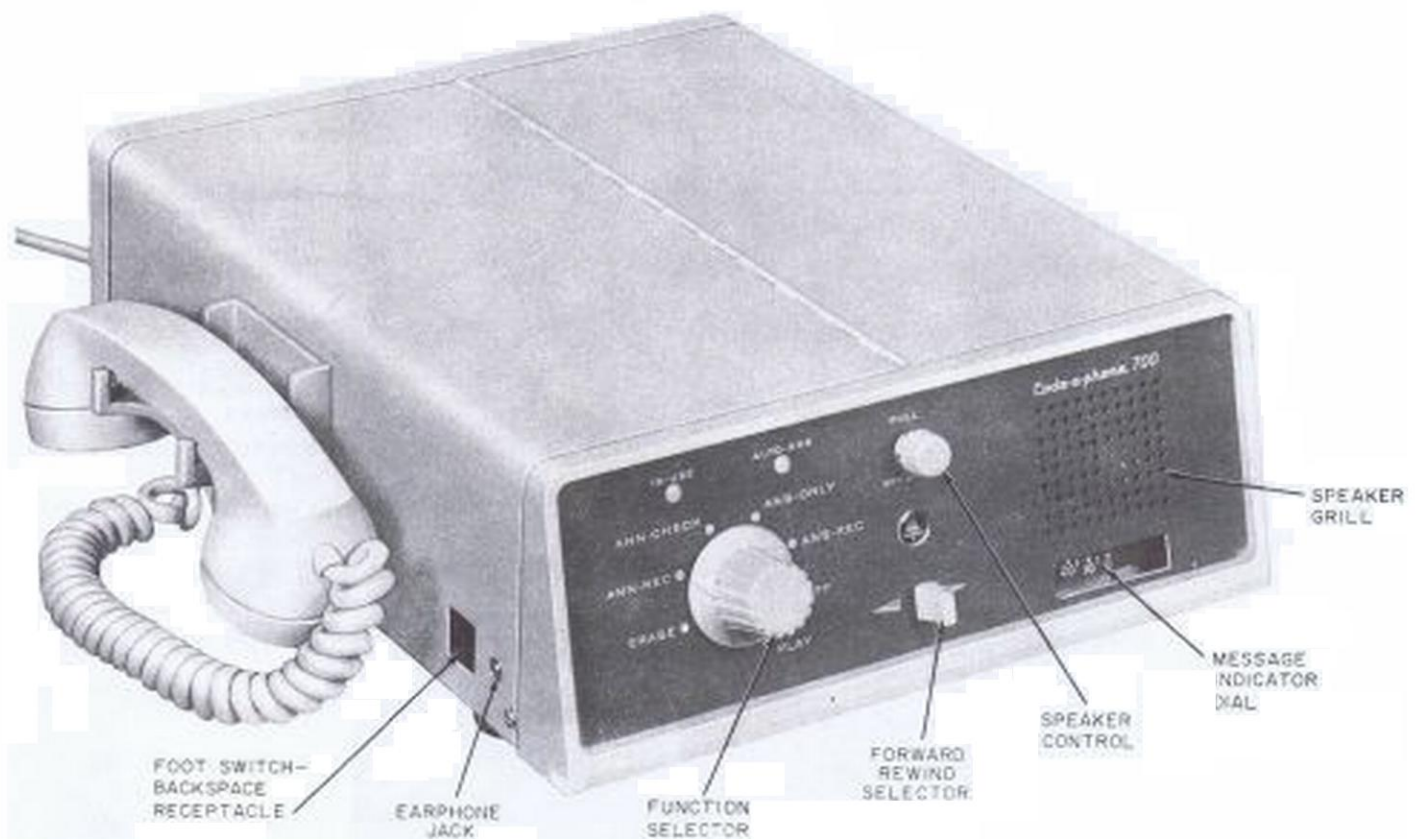


Fig. 1—KS-19245, List 1 Telephone Answering Set

SECTION 514-155-200

Section entitled KS-15662, DC-AC Inverter for Use With Telephone Answering Sets, in Division 514.

2.03 A 1-ampere (3AG1) fuse is provided in this answering set for protection (Fig. 2).

2.04 Customer must provide and maintain a standard AC outlet for operation of the KS-19245, List 1 telephone answering set. Outlet should not be controlled by a switch.

3. LOCATION

3.01 Locate telephone answering set where it will be convenient for customer.

3.02 Do not place set where it will be exposed to weather or extreme heat. The supporting surface should be able to support 30 pounds.

4. INSTALLATION AND CONNECTIONS

Caution: *Damage to the message tape and its mechanism will result if the message tape end is not properly secured in the snap retainer of the take-up reel before operating set.*

4.01 Insert power cord into receptacle provided on the bottom of set (Fig. 2). Secure cord with captive cable clamp.

Note: When List 10 power cord is furnished with set, insert plug of cord into AC outlet,

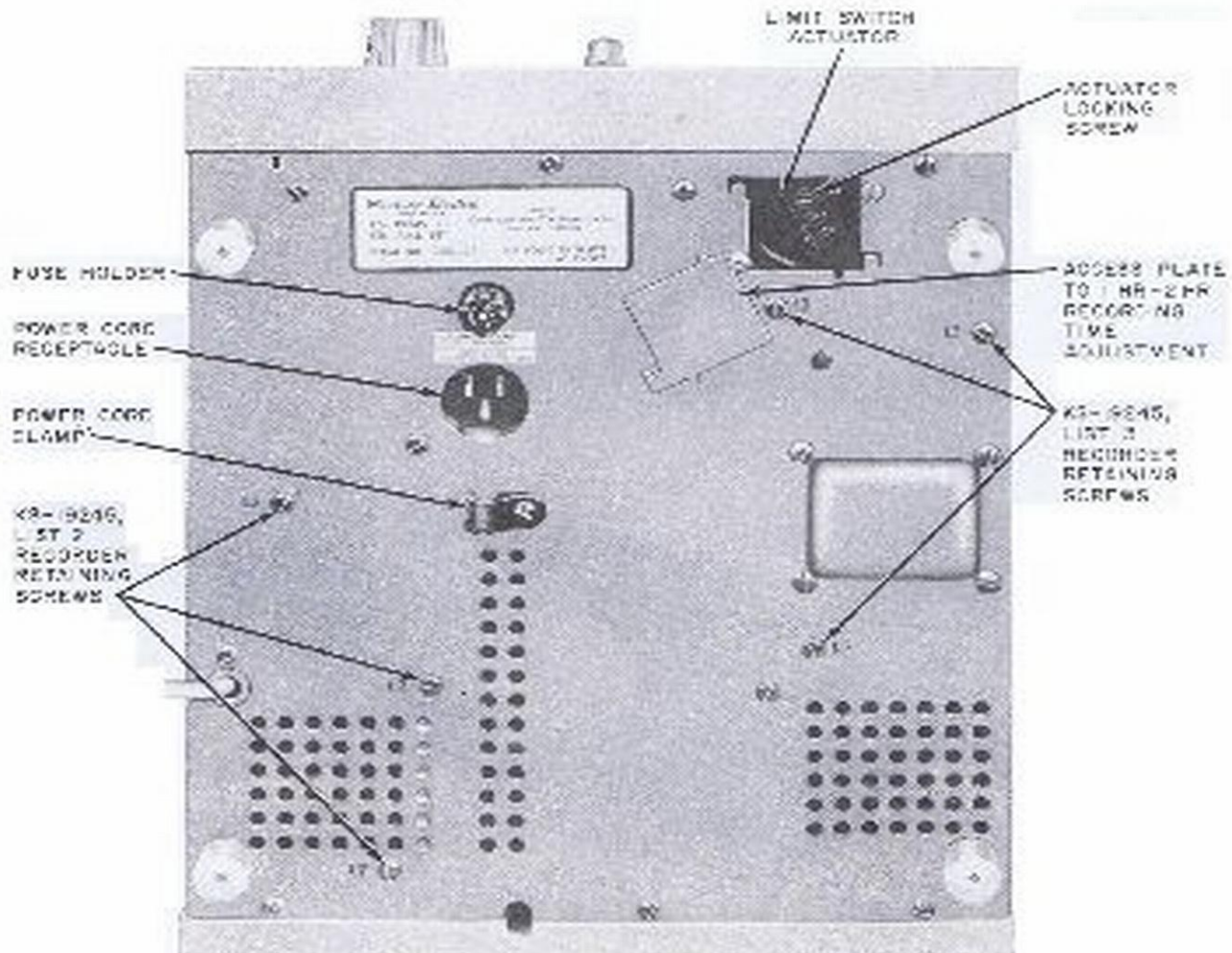


Fig. 2—KS-19245, List 1 Telephone Answering Set—Bottom View

set function selector to PLAY, pull out speaker control knob, and check speaker for hum. Reverse plug of cord in AC outlet if hum is present.

4.02 Adjust message recording capacity (Fig. 2).

The set is shipped with message recording capacity adjusted for one hour. To adjust to maximum recording capacity of 2 hours, proceed as follows:

- (1) Insert plug of power cord into AC outlet.
- (2) Run the set in rewind to obtain an elapsed message indicator dial reading of 0 (set will stop automatically).

Caution: *Before proceeding with any further adjustments or connections, remove power cord from AC outlet.*

- (3) Remove access cover.
 - (a) Loosen two access cover mounting screws.
 - (b) Lift plate.
- (4) Adjust limit switch actuator:
 - (a) Loosen actuator locking screw (Fig. 2).
 - (b) Slide actuator to 2-HR cutout.
 - (c) Tighten actuator to locking screw.

- (5) Replace access cover.

4.03 Adjust announcement recording capacity (Fig. 3). The set is shipped with an announcement setting of 30 seconds. Announcement time may be increased in increments of 15 seconds, from 15 seconds to 90 seconds, and in 30 second increments, from 90 seconds to 180 seconds. To change setting proceed as follows:

- (1) Remove top cover.
 - (a) Remove 4 cover retaining screws.
 - (b) Lift cover.
- (2) Remove KS-19245, List 4 amplifiers:
 - (a) Loosen amplifier card retainers.

- (b) Lift amplifier card.

- (3) Release timer cap by carefully depressing timer arm (Fig. 3).

Caution: *Do not rotate recorder motor or tape reels by hand.*

- (4) Adjust recording capacity by carefully lifting tab of timer arm from slot and rotate to position of desired interval (Fig. 3).

Caution: *Do not lift tab over raised portion to timer cap. To increase interval, rotate tab clockwise. To reduce interval rotate tab counterclockwise.*

- (5) Replace KS-19245, List 4 amplifier.
- (6) Replace top cover.



Handle set components with care at all times to avoid damage.

4.04 Remove access plate of terminal board located at the rear of the answering set (Fig. 4).

4.05 Insert suitable mounting cord through hole provided in answering set and anchor. Make connections for type of service required as shown in Fig. 6 and Table A.

Tests at Time of Installation

4.06 Insert the power cord into AC outlet. Refer to section entitled KS-19245, List 1 Telephone Answering Set, Operation, in Division 514 and check the following:

- (1) Announcement recording and erasure.
- (2) Announcement check:
 - (a) With handset.
 - (b) With speaker.
- (3) Automatic answer - ANS and REC:
 - (a) Automatic answer ready lamp.

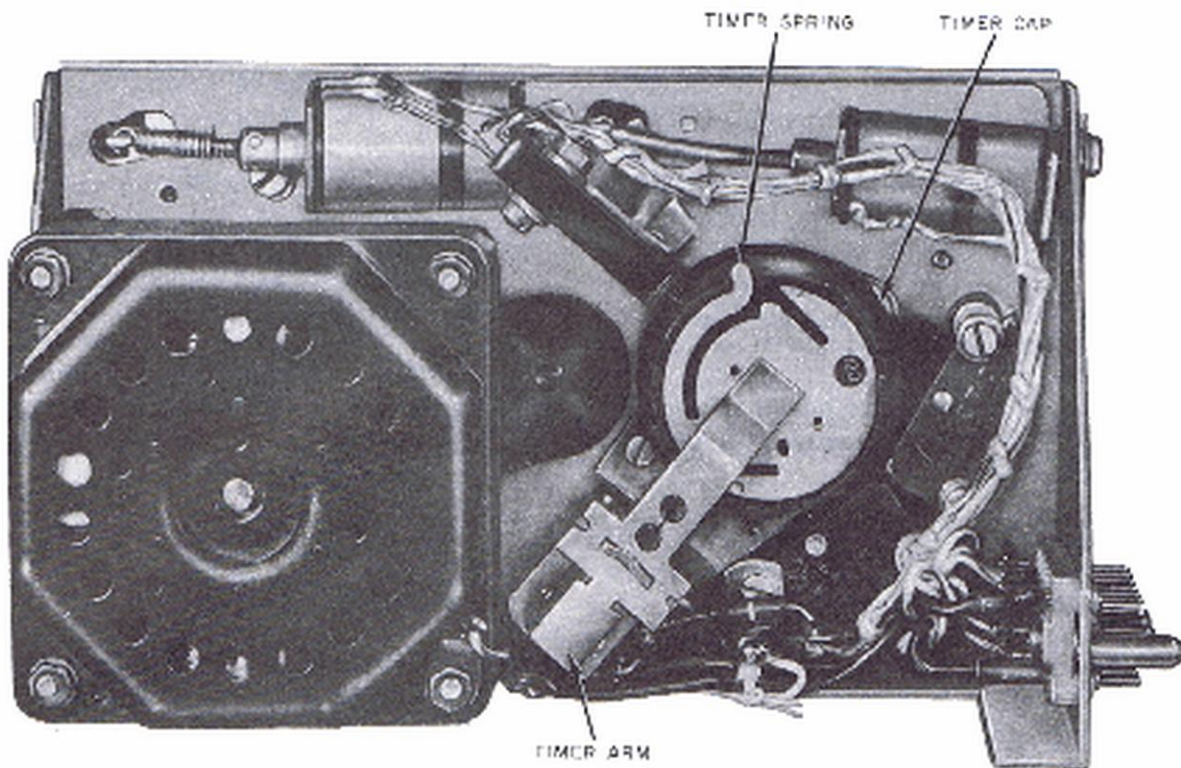


Fig. 3—KS-19245, List 2 Recorder

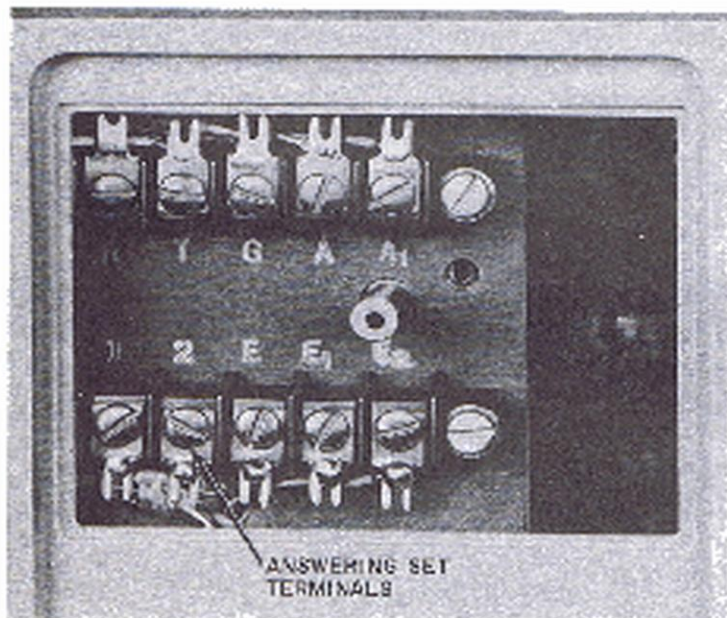


Fig. 4—KS-19245, List 1 Telephone Answering Set—Rear View

- (b) Ring-up.
 - (c) In-use lamp.
 - (d) Announcements monitoring in speaker.
 - (e) Transfer beep tone.
 - (f) Message monitoring in speaker.
 - (g) Talk-down tone.
 - (h) Voice control—timeout.
 - (i) Disconnect beep tone.
- (4) Automatic answer - answer only:
- (a) Ring-up.
 - (b) Announcement monitoring in speaker.
 - (c) Disconnect at end of announcement.

- (5) Message playback:
- (a) With handset.
 - (b) With speaker.
 - (c) With earphone (optional accessory).
- (6) Fast forward and rewind of message tape.
- (7) Erase message.
- (8) Foot switch (optional accessory).
- (9) Backspace unit (optional accessory).

Note: The output level for the KS-19245, List 4 amplifier is set and sealed at the factory. No field adjustments is recommended. Should the output level be too high replace the amplifier.

4.07 The set should now be ready for operation. Instruct the subscriber of proper operation of set and accessories.

4.08 Refer to CD- and SD-99306-01 for additional information on the KS-19245, List 1 telephone answering set.

4.09 Accessories:

- (1) KS-19245, List 8 foot switch. Plug of foot switch is inserted into foot switch receptacle of answering set. If backspace unit is used, it is inserted into receptacle of backspace unit.
- (2) KS-19245, List 9 earphone. Plug of earphone is inserted into earphone jack on answering set. If backspace unit is used it is inserted into earphone jack of backspace unit.
- (3) KS-19245, List 12 backspace unit. Insert backspace unit into foot switch - backspace receptacle and earphone jack of answering set.

5. OPTIONS

5.01 Voice control disable (Fig. 5)—Solder a strap between the terminals on the KS-19245, List 5 amplifier identified with blue dots.



It is important to note that this option may be employed only when other means are available for disconnecting the set at the end of a call.

- (1) When DC calling party control accompanies calling party disconnect.
- (2) When provisions are made for turning the function selector switch to the off position at the end of the recording.

5.02 Disable calling party control (Fig. 5)—Solder strap between terminals on the KS-19245, List 5 amplifier identified by red dots and between those identified by green dots.



Calling party control is provided on this set to disconnect when momentary interruption of central office battery on the telephone line occurs. Installations where no battery is provided require disabling the action of the calling party control circuit.

5.03 Talk-down tone (Fig. 5) may be disabled by removing the strap between the terminals on the KS-19245, List 5 amplifier identified by yellow dots. Removal of this strap does not affect the one second start and disconnect beep tones. The set is normally furnished with this option wired in place.

5.04 Do not use options listed above without proper authorization.

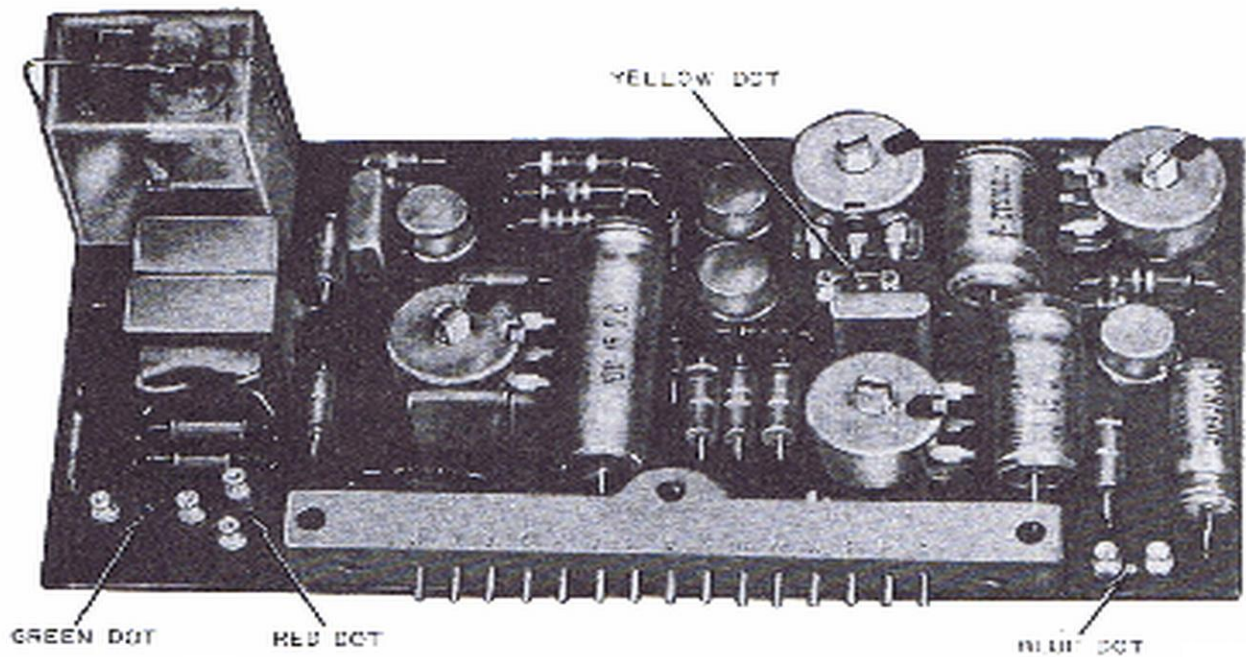


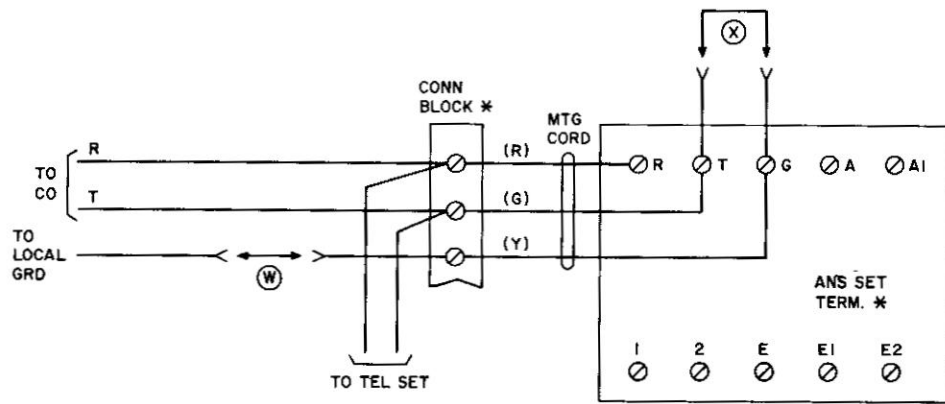
Fig. 5—KS-19245, List 5 Amplifier

TABLE A
MOUNTING CORD CONNECTIONS

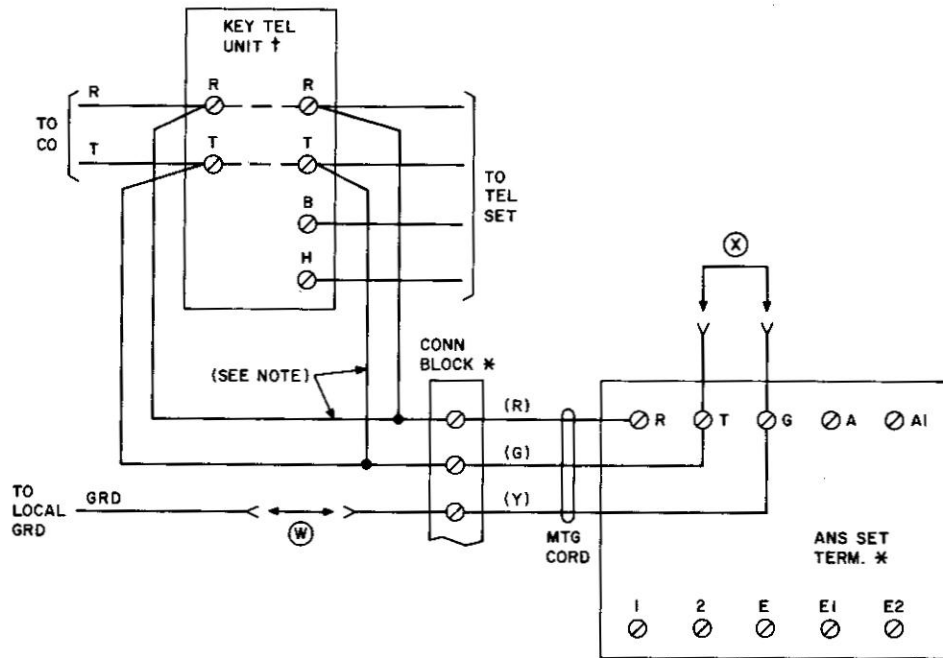
| CORD CONDUCTOR COLOR | AT CONNECTING BLOCK ON TEL ANS SET | SIDE OF LINE WIRE TO WHICH CORD CONDUCTOR IS TERMINATED | | |
|----------------------|------------------------------------|---|--|-----------|
| | | INDIVIDUAL, PBX, OR BRIDGED SERVICE† | 2-PARTY SELECTIVE OR MESSAGE RATE SERVICE* | |
| | | | RING PARTY | TIP PARTY |
| Red | R | Ring | Ring | Tip |
| Green | T | Tip | Tip | Ring |
| Yellow | G | Tip | Ground | Ground |

* Remove strap between T and G on telephone answering set connecting block and place local ground on G.

† Remove local ground and strap T and G punchings on telephone answering set connecting block.



WITH TELEPHONE SET ONLY



WITH IA KEY TELEPHONE SYSTEM

Fig. 6—KS-19245, List 1 Telephone Set Connections (Sheet 1 of 3)

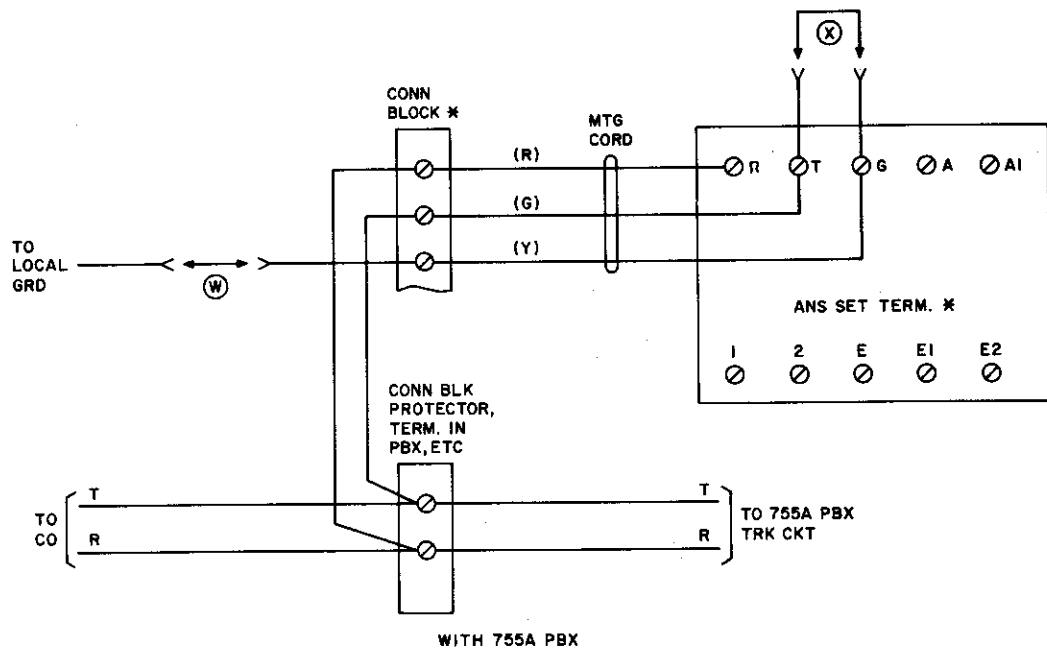
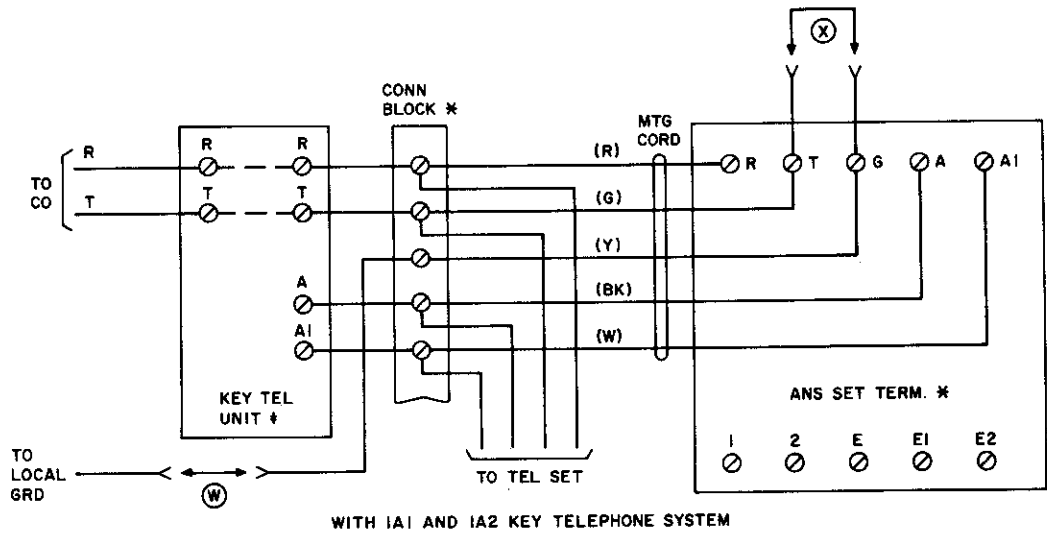
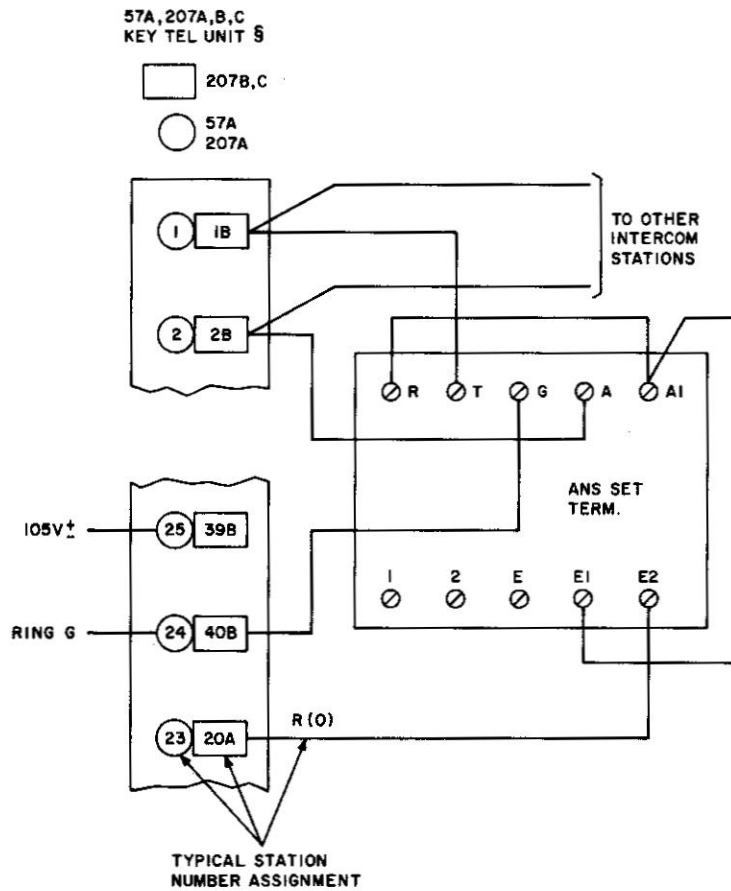


Fig. 6—KS-19245, List 1 Telephone Set Connections (Sheet 2 of 3)



WITH DIAL SELECTIVE INTERCOMMUNICATING
CIRCUIT, IA, IA1, OR IA2 KEY TELEPHONE SYSTEMS

NOTE:
ANSWER SET MAY BE CONNECTED ON EITHER SIDE OF KTU.

LEGEND:

- * SEE TABLE A FOR MOUNTING CORD CONNECTIONS.
- † FOR TERMINAL NUMBERS, SEE SECTION ON IA KEY TELEPHONE SYSTEMS.
- ‡ FOR TERMINAL NUMBERS, SEE SECTION ON IA1 AND IA2 KEY TELEPHONE SYSTEMS.
- § MAY BE ADAPTED TO KEY TELEPHONE SYSTEM 6A WHEN RINGING POWER SUPPLY IS PROVIDED.

OPTIONS:

- (X) METALLIC RINGING
- (W) GROUNDED RINGING

Fig. 6—KS-19245, List 1 Telephone Set Connections (Sheet 3 of 3)

KS-19245, LIST 1 TELEPHONE ANSWERING SET INSTALLATIONS AND CONNECTIONS

1. GENERAL

- 1.001** This addendum supplements Section 514-155-200.
- 1.002** It is issued to provide an exclusion arrangement to prevent the recording of two-way telephone conversations by the KS-19245, List 1 telephone answering set, and a six-line transfer arrangement with exclusion feature.
- 1.003** An exclusion arrangement must be added on the following:
- (a) All new installations of the KS-19245, List 1 telephone answering set.
 - (b) All complaints or detection of an existing KS-19245, List 1 telephone answering set being used to record two-way telephone conversations.

4. INSTALLATION AND CONNECTIONS

The following is added to Part 4 of the section:

- (a) 4.05.1 — added
 - (b) 4.05.2 — added
 - (c) Figs. 7 to 12 — added
- 6.02** Connection information for various arrangements to prevent recording of two-way telephone conversations by the KS-19245, List 1 telephone answering set are shown in Figures 7 to 11.
- 6.03** Connection information for a six-line transfer arrangement with exclusion feature for the KS-19245, List 1 telephone answering set is shown in Figure 12.

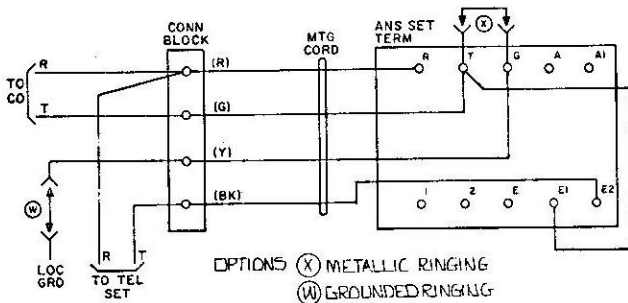


Fig. 7 — With Telephone Set Only

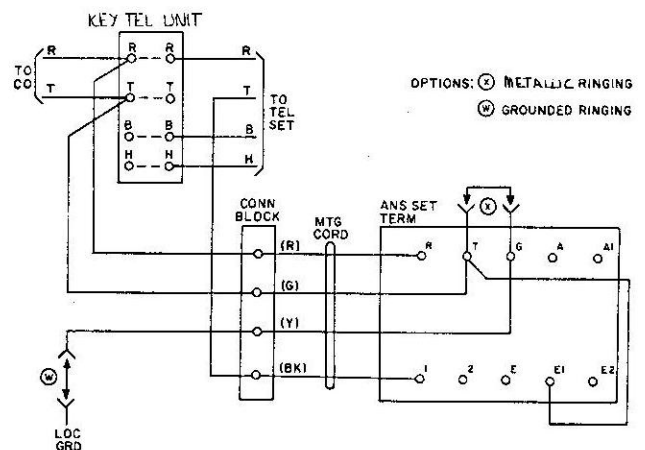


Fig. 8 — With 1A Key Telephone System

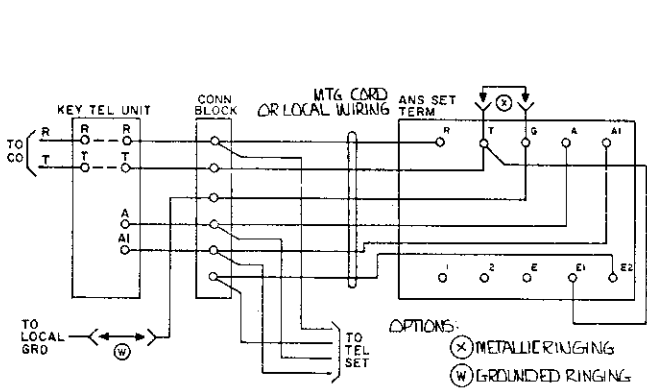


Fig. 9 – With 1A1 & 1A2 Key Telephone System

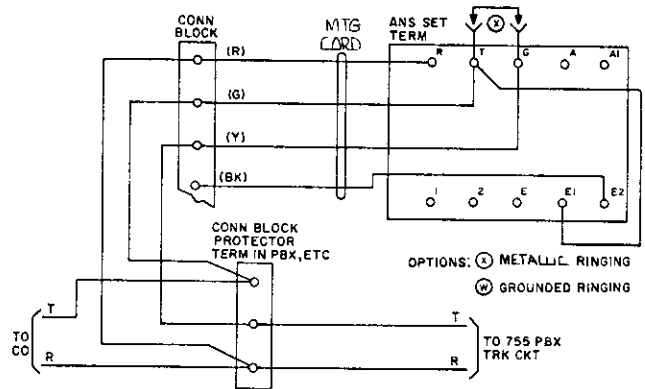


Fig. 10 – With 755A PBX

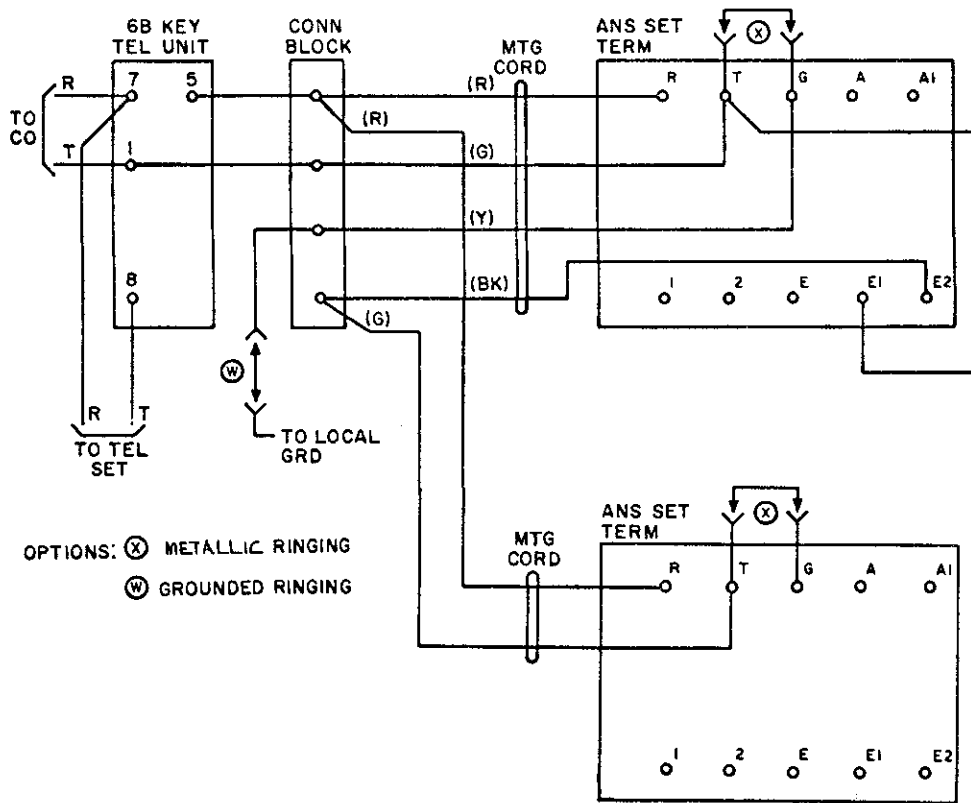


Fig. 11 – With End-of-Tape Transfer Arrangement

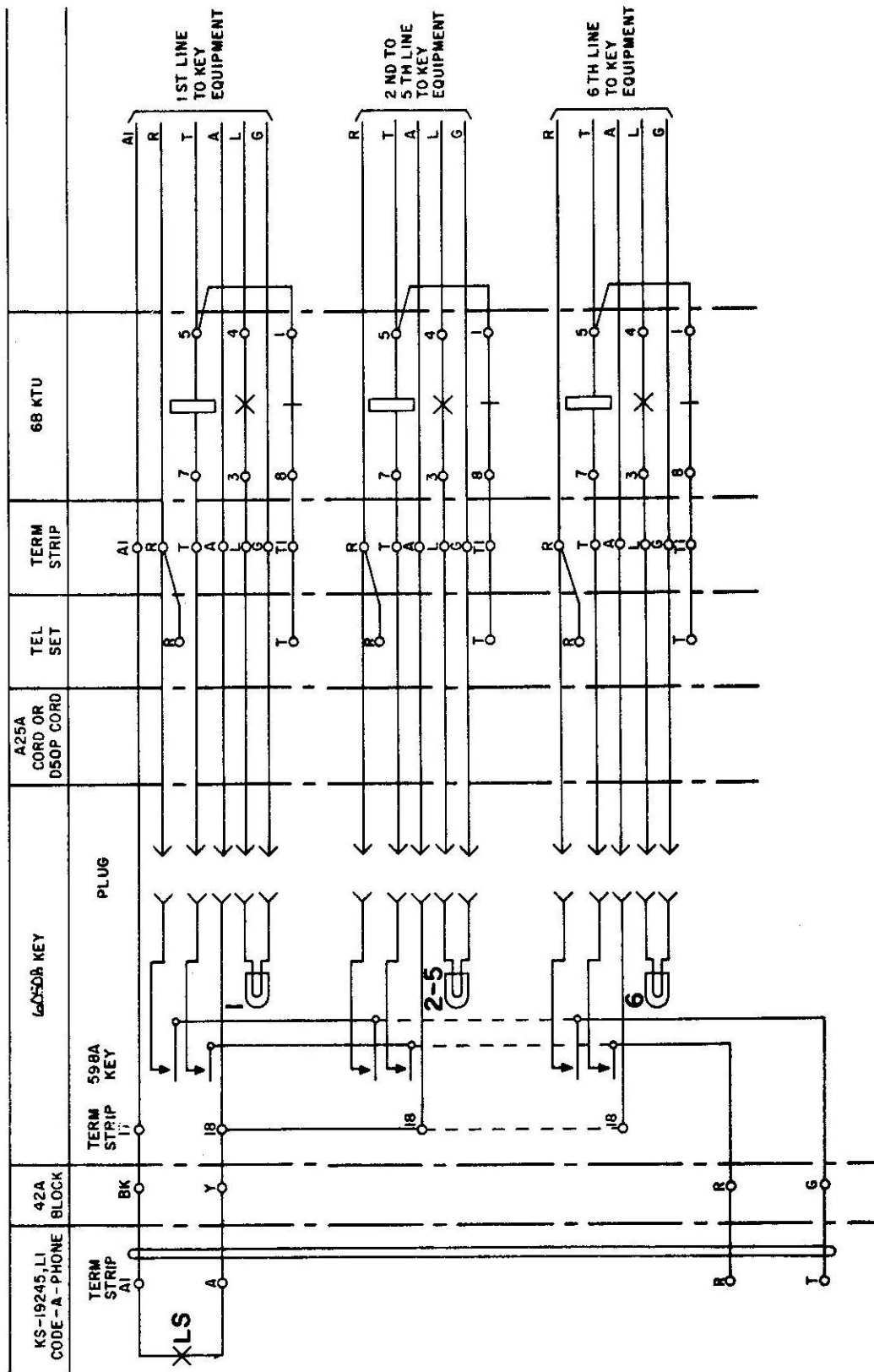


Fig. 12 - With Six Line Transfer Arrangement With Exclusion Feature