

**1A1 KEY TELEPHONE SYSTEM**  
**AUDIBLE SIGNAL CONTROL**  
**INTERRUPTED COMMON AUDIBLE SIGNAL**  
**USING 16A OR 211A KEY TELEPHONE UNITS**  
**CONNECTIONS**

**1.00 GENERAL**

**1.01** This section shows connections for 16A and 211A key telephone units in key system line circuit applications which provide interrupted common audible signaling of a ringer, buzzer, or bell (see Fig. 2, 3, or 4).

**1.02** It is reissued to:

- Include connections to recent types of line circuits.
- Include *R* and *RR* lead connections to audible signal circuit from other key telephone units (see Fig. 2, 3, and 4).
- Show resistance lamp (GRD-105V±) connections to other key telephone units.

**1.03** Fig. 1 has been included to assist in clearing trouble.

**1.04** Factory strapping shown in Fig. 2 and 3 is for information purposes only.

**1.05** Due to extensive changes marginal arrows have been omitted.

**2.00 SELECTION**

**2.01** The 211A KTU is a panel-type unit. In addition to providing a circuit to interrupt an audible signal, it contains a ringing lamp circuit, a battery supply noise suppression circuit, and an intercommunicating line circuit.

**2.02** The 16A KTU is a ringup relay angle-bracket-type unit. It provides a switching circuit that is activated by ringing current to a locally supplied audible signal.

**2.03** The 11A KTU may be used with the 16A KTU when a ringing lamp circuit is required.

3.00 CONNECTIONS

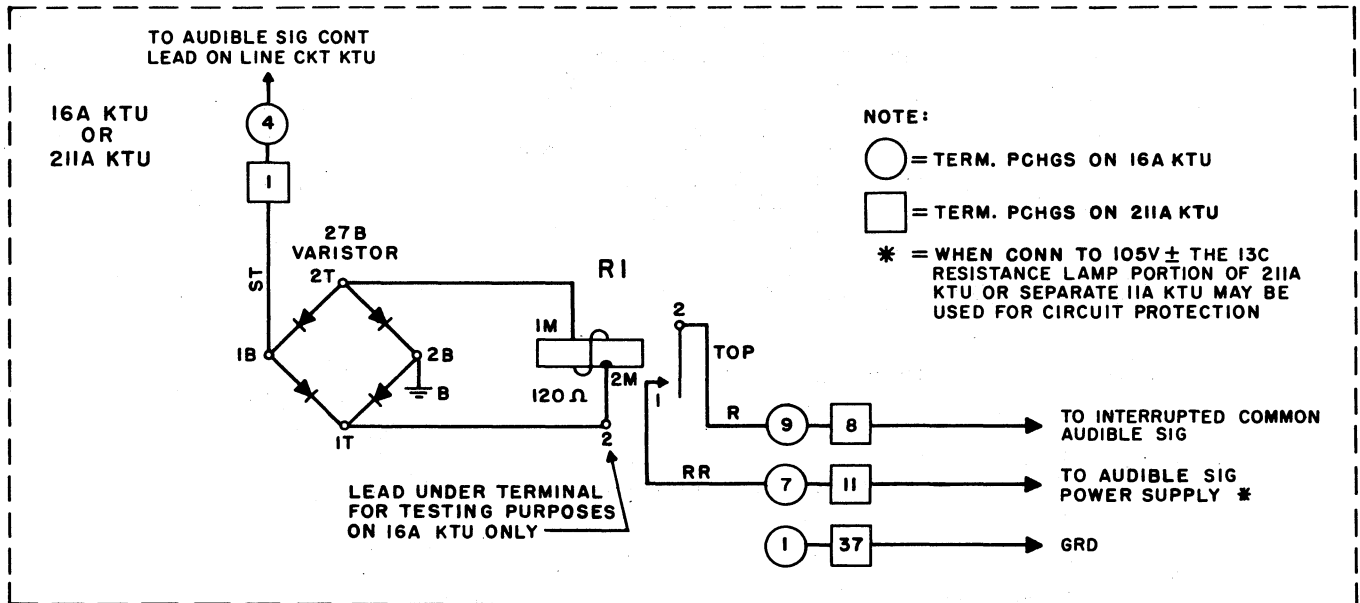
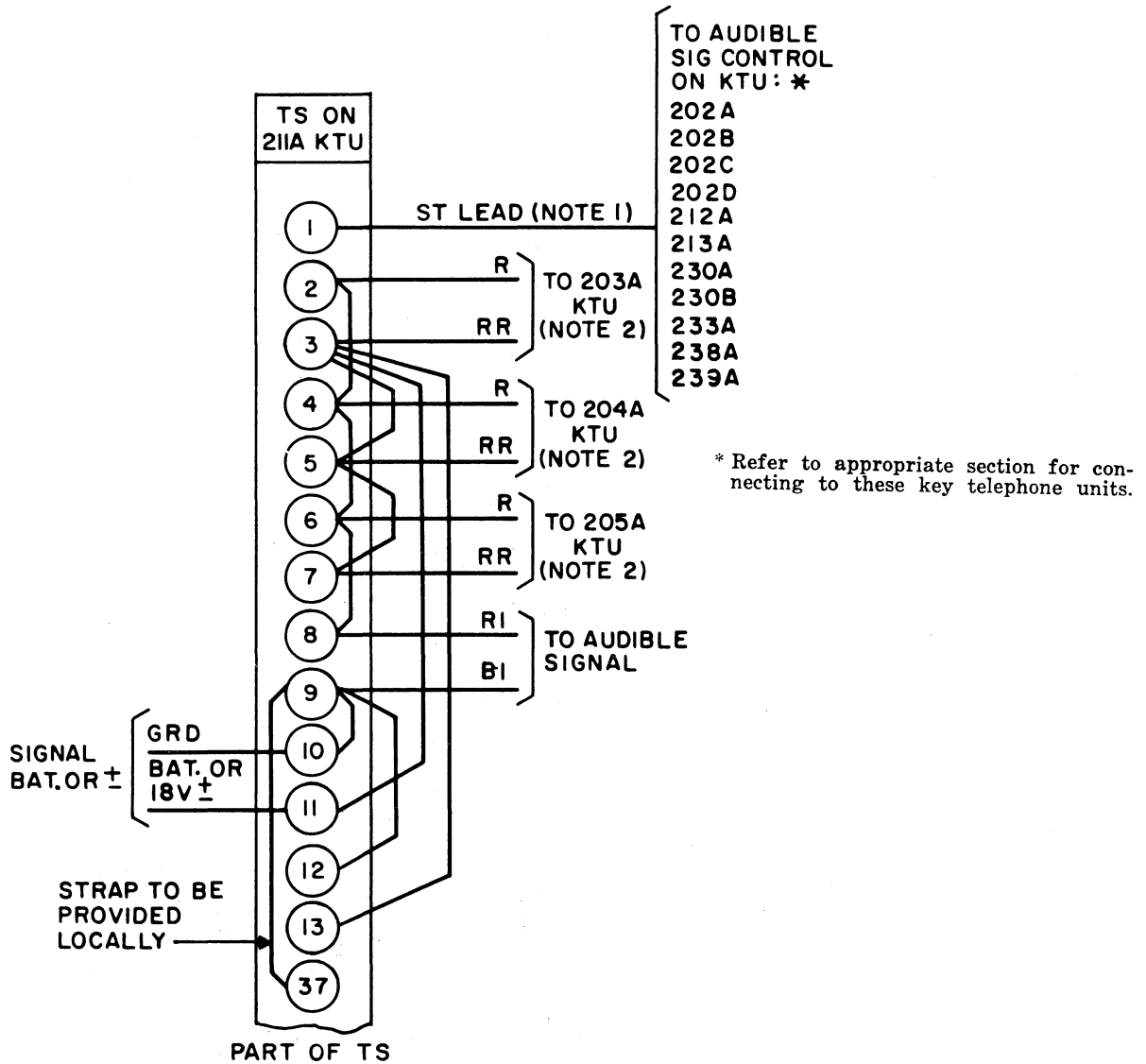


Fig. 1 - 16A or 211A KTU



*Note 1:* Straps that provide other ringup options on line circuits must be removed when start lead control is used.

*Note 2:* Provide *R* and *RR* leads when the common audible signal is to be operated by the 203A, 204A, or 205A KTU.

**Fig. 2 — Interrupted Audible Control Circuit Connections Using 211A KTU with 20 Volts DC or 18 Volts AC**

**Note 1:** Straps that provide other ringup options on line circuits must be removed when start lead control is used.

**Note 2:** Provide R and RR leads when the common audible signal is to be operated by the 203A, 204A, or 205A KTU.

**Note 3:** Terminal 37 should be connected to local ground if central office generator supply is used, otherwise it may be strapped to ground side of power plant supply.

**Note 4:** Use these connections to furnish 105 Volts± when generator resistance lamp is used for circuit protection.

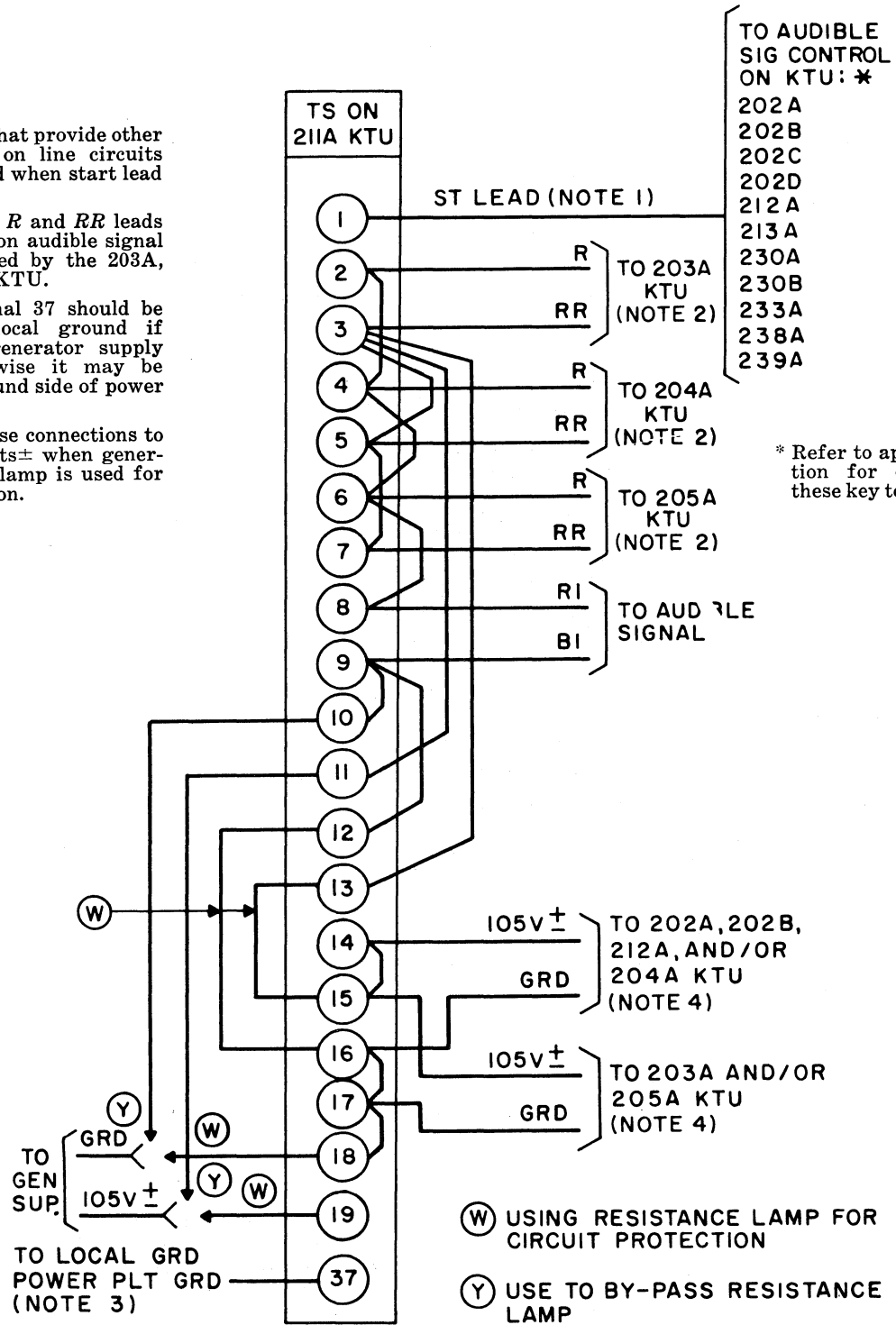
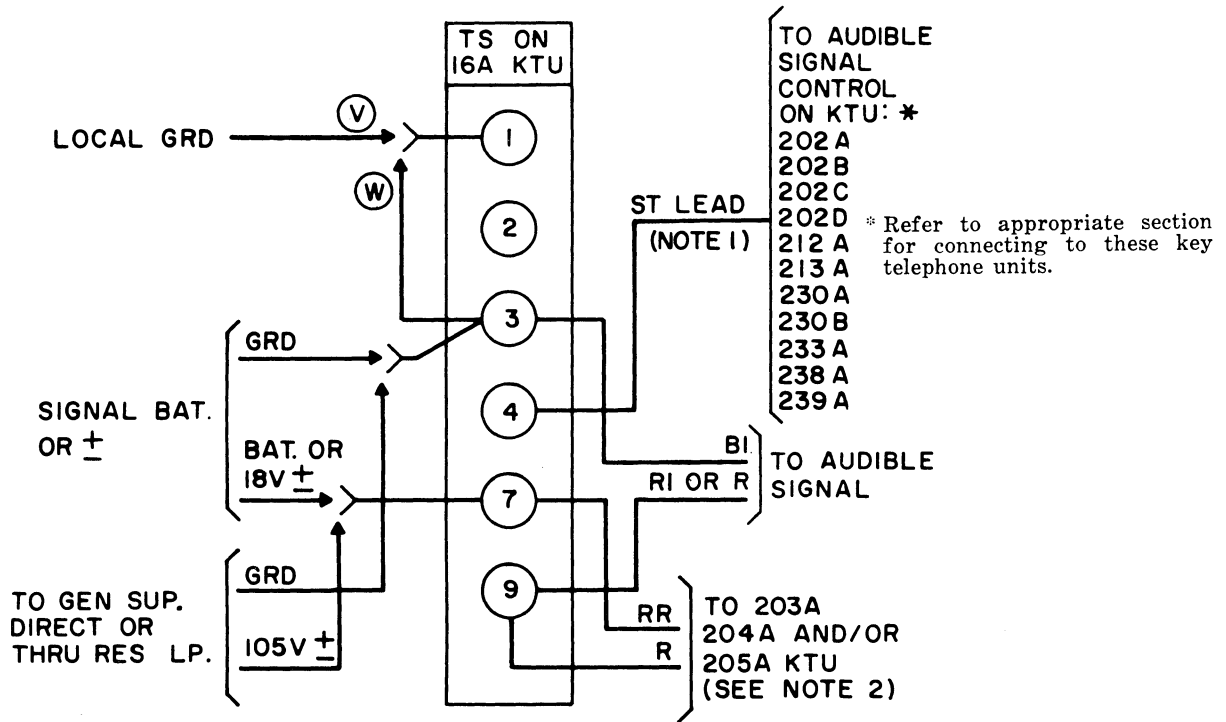


Fig. 3 — Interrupted Audible Control Circuit Connections Using 211A KTU with 105 Volts± Generator



OPTIONS:

- (V) WHEN CO GEN SUPPLY OR LOCAL BAT. IS USED.
- (W) WHEN IOIG PWR PLT IS USED

*Note 1:* Straps that provide other ringup options must be removed from line circuits when *ST* lead control is used.

*Note 2:* Provide *R* and *RR* leads when the common audible signal is to be operated by the 203A, 204A, or 205A KTU.

**Fig. 4 – Interrupted Audible Control Circuit Connections Using 16A KTU with 20 Volts DC, 18 Volts AC, or 105 Volts± Generator**