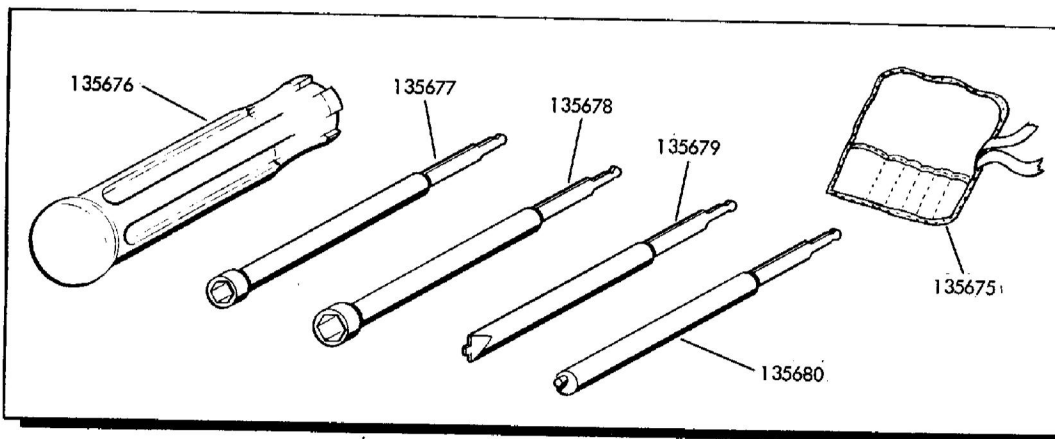
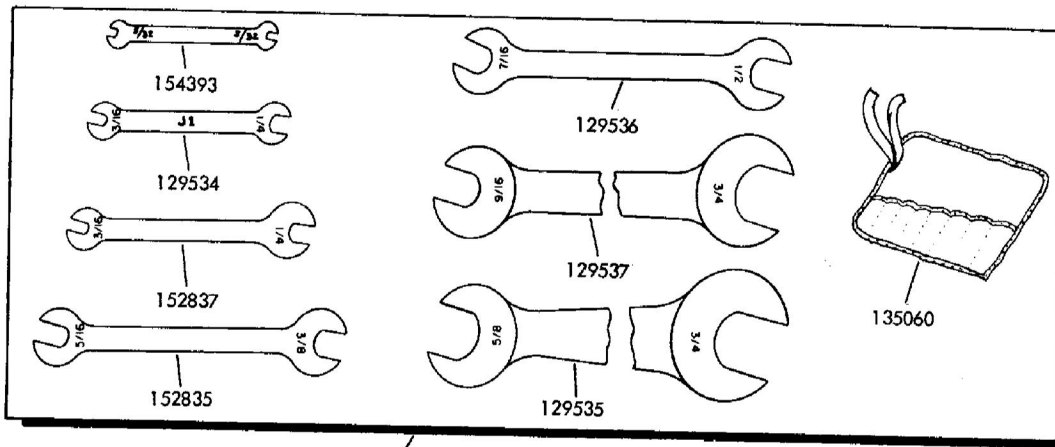
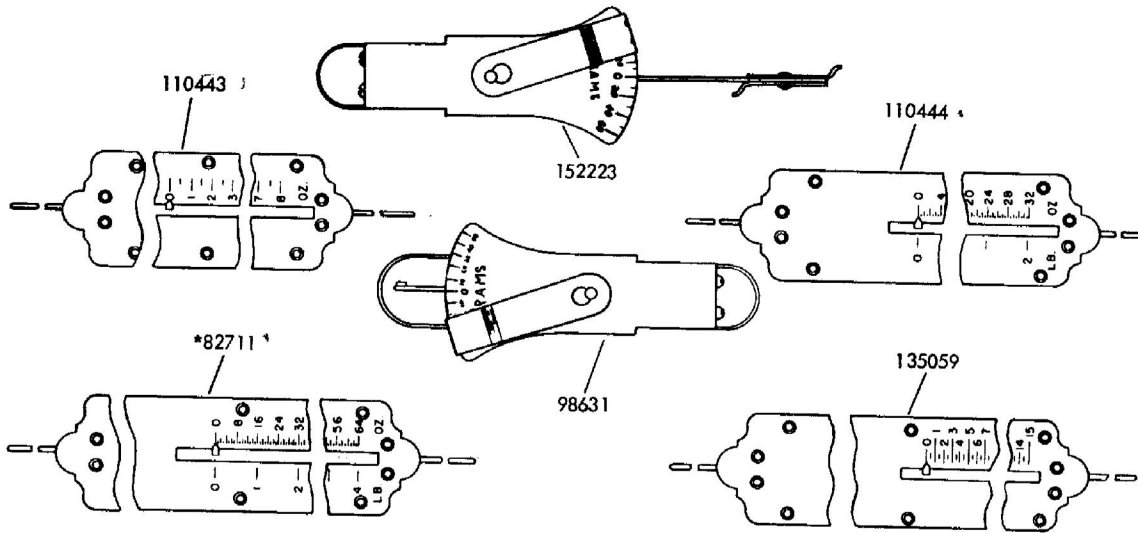
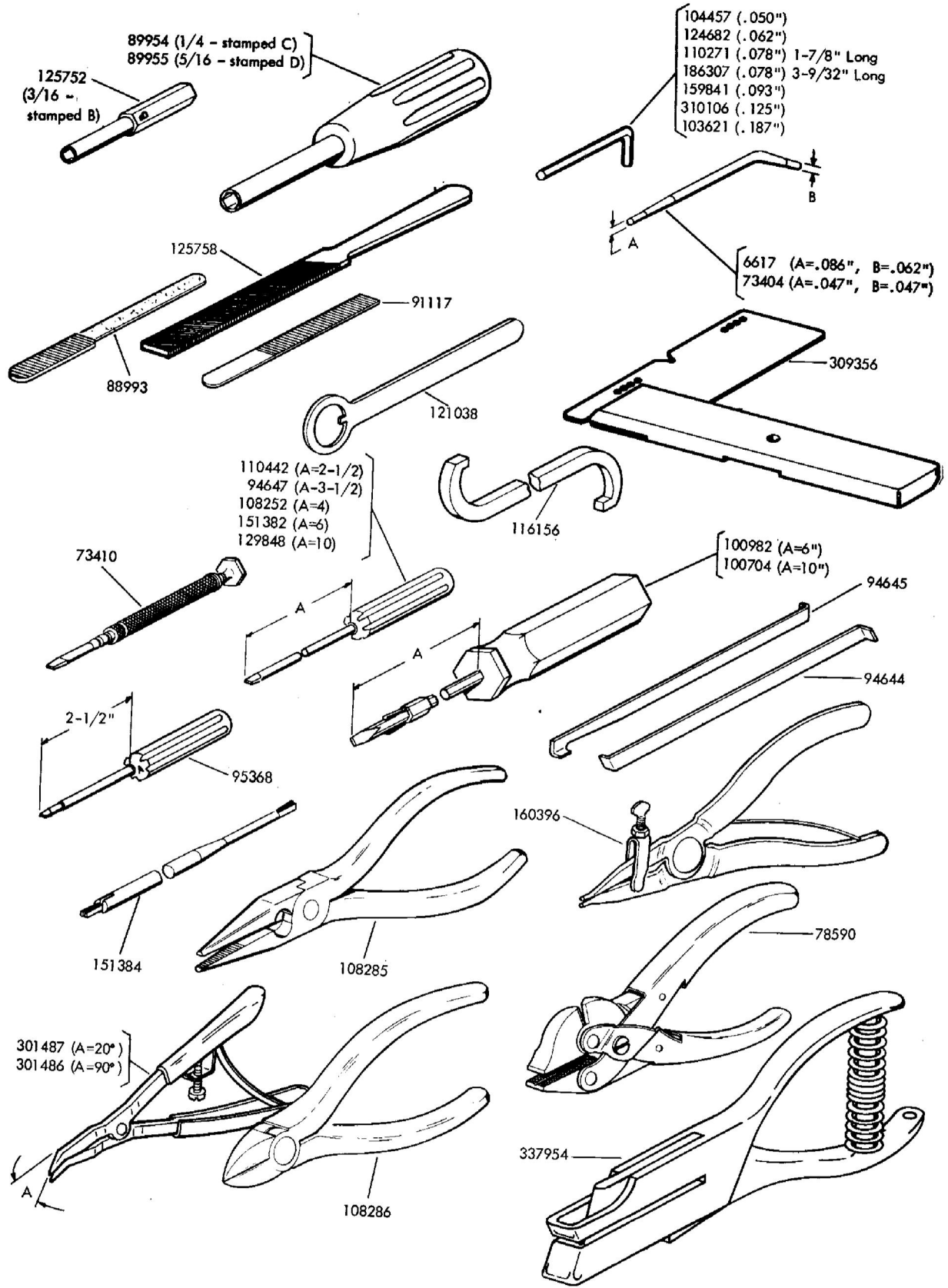
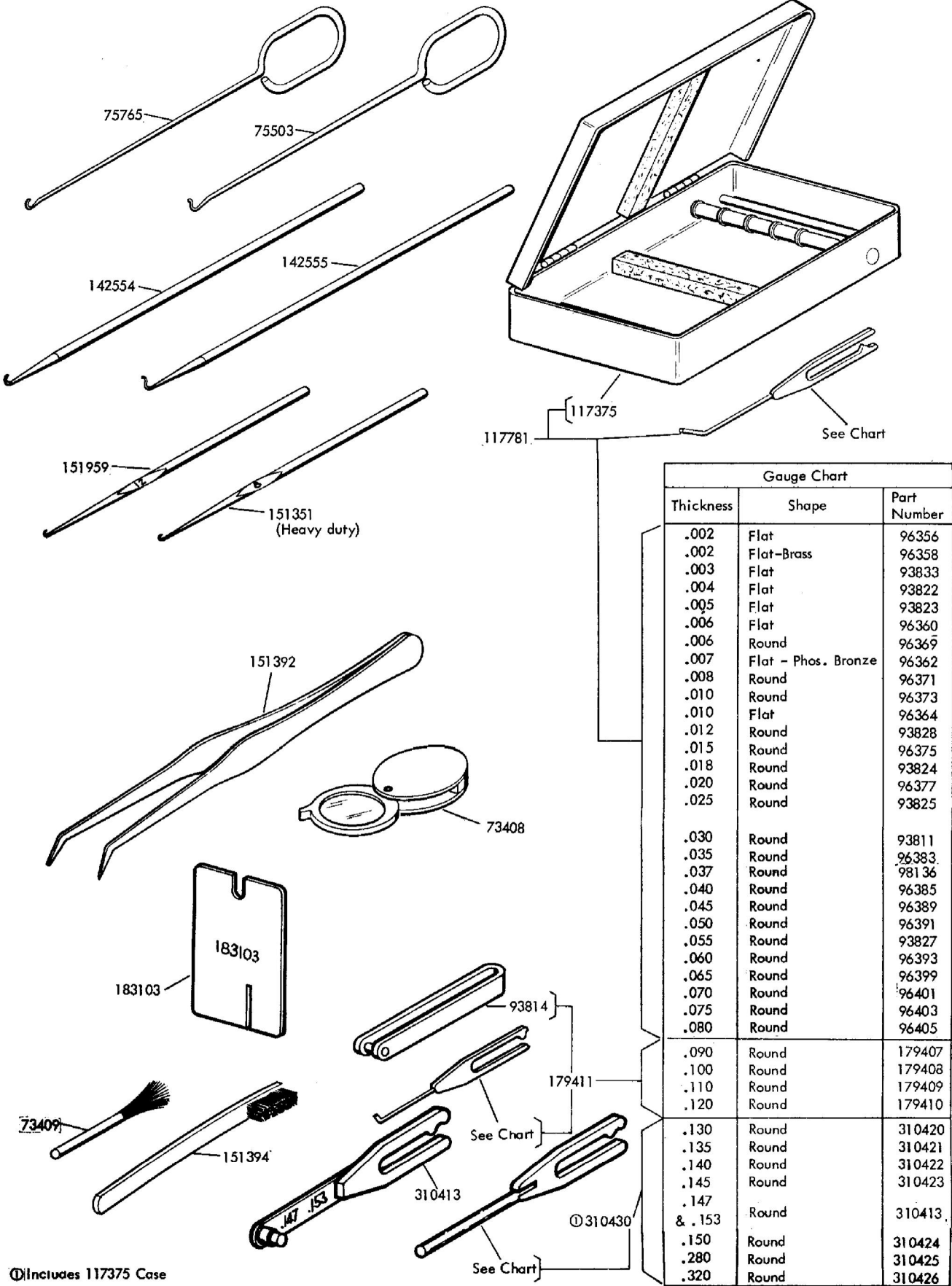


MAINTENANCE TOOLS



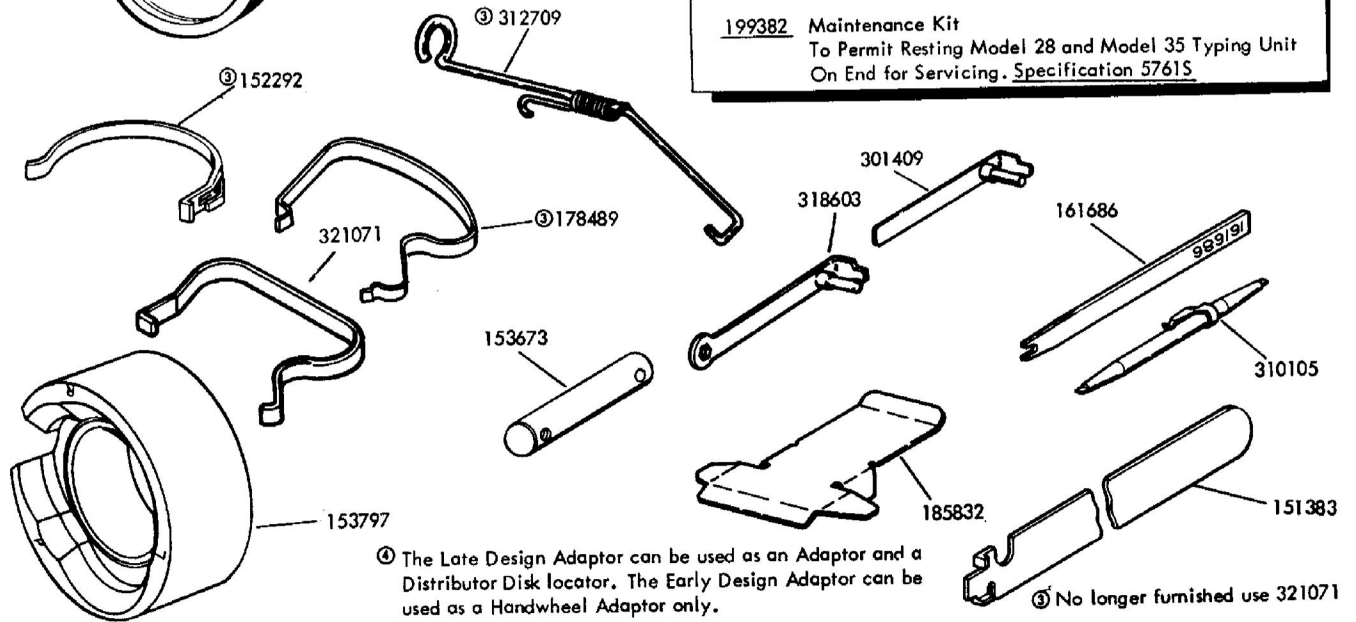
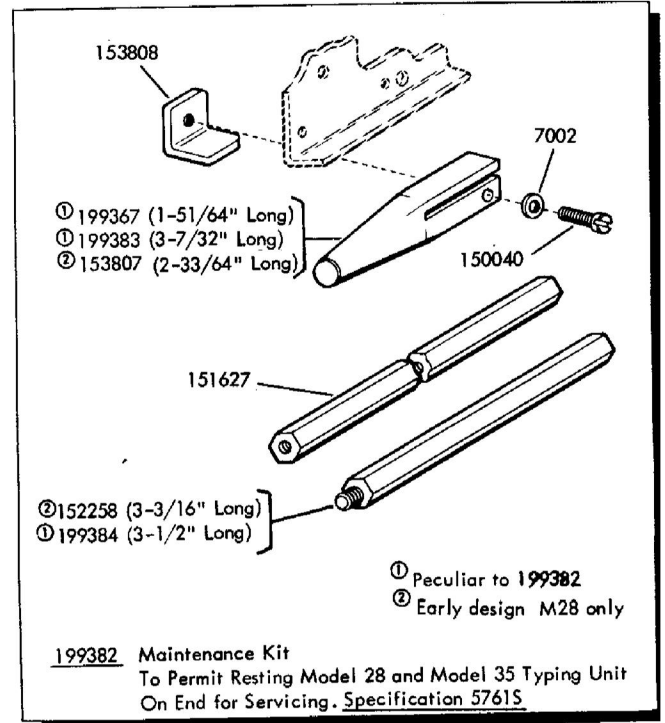
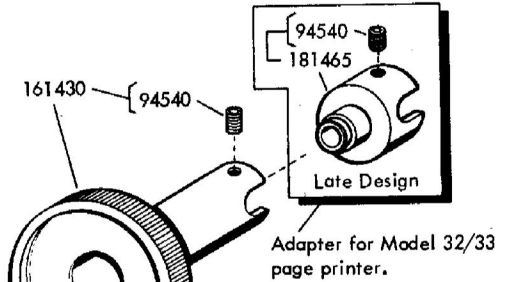
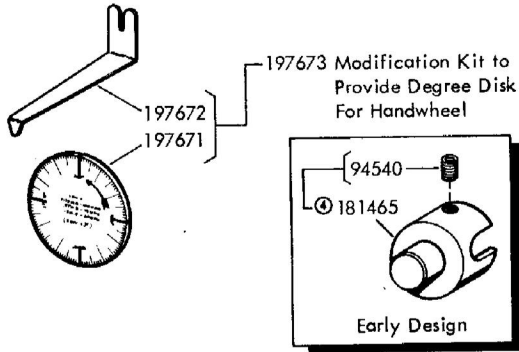
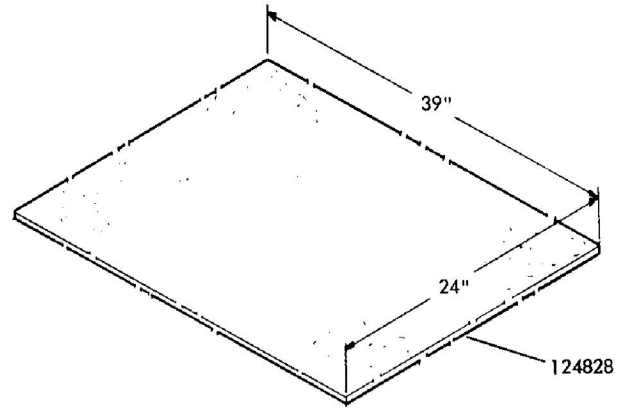
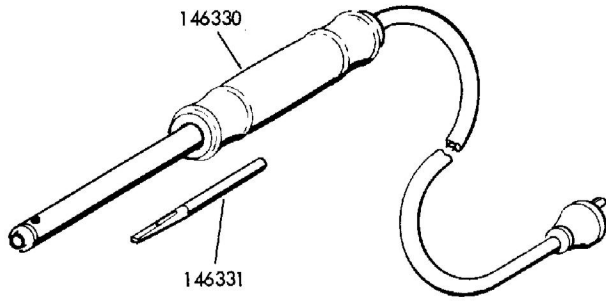
*Total calibration range may be greater than shown.

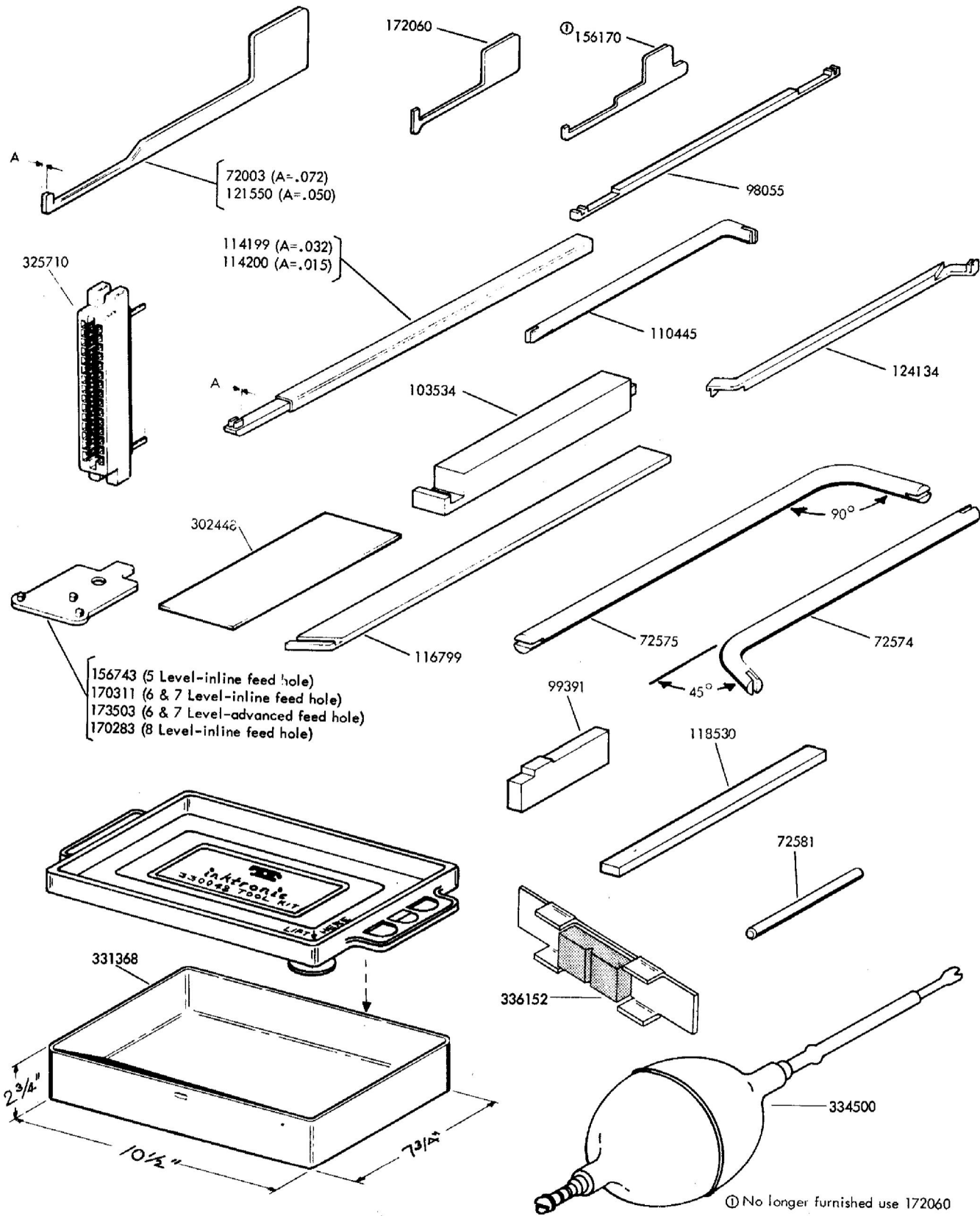


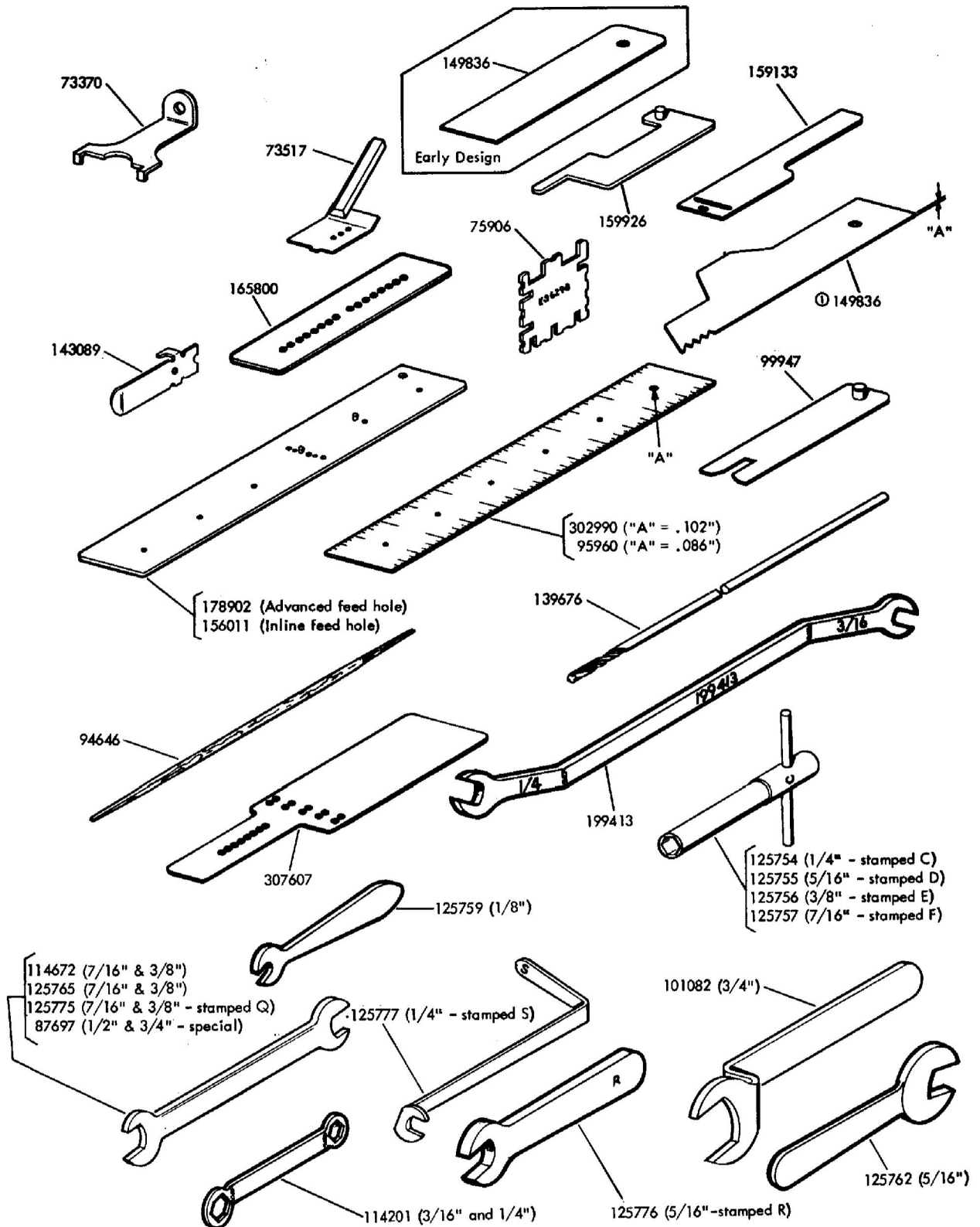


ⓐ Includes 117375 Case

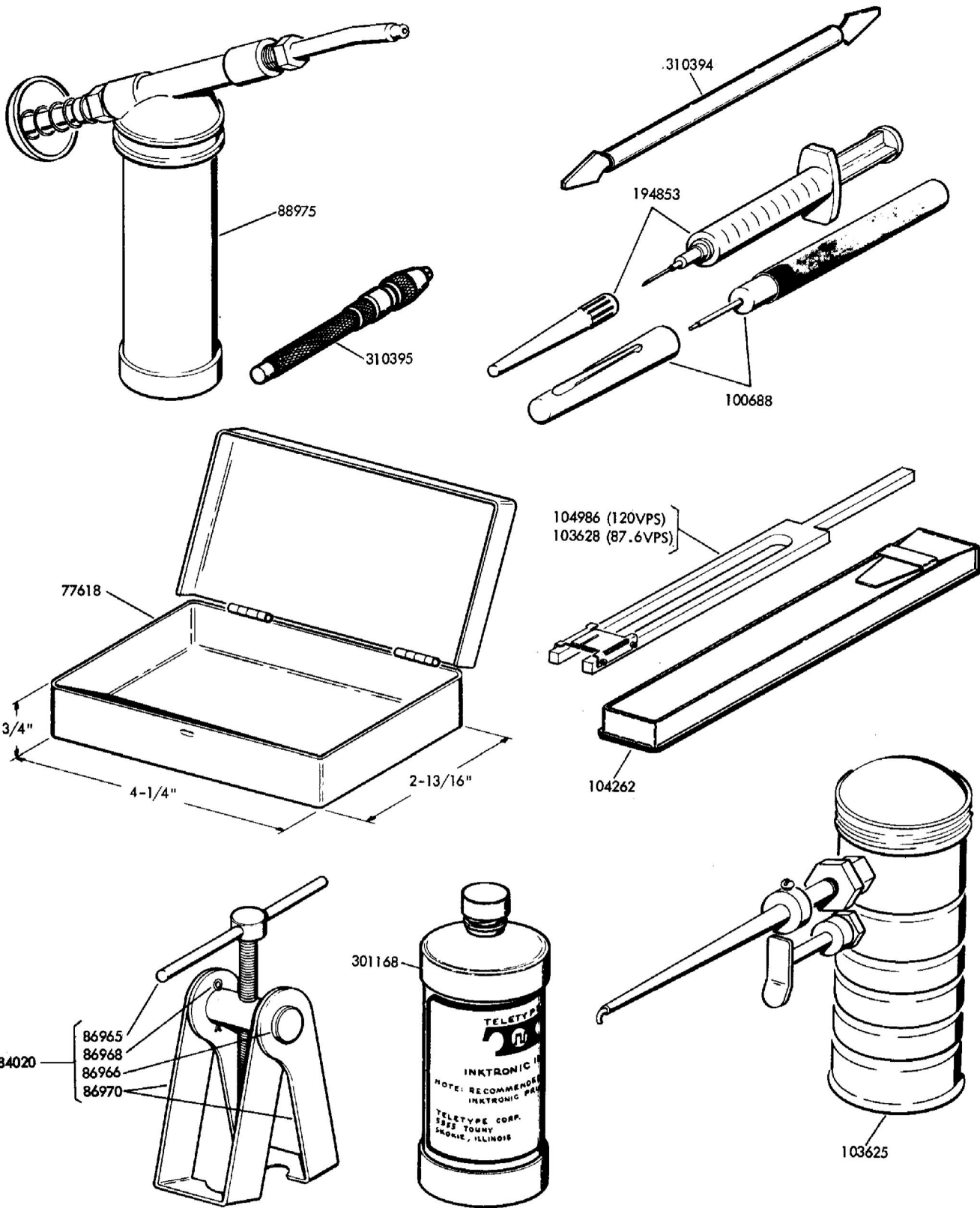
Gauge Chart		
Thickness	Shape	Part Number
.002	Flat	96356
.002	Flat-Brass	96358
.003	Flat	93833
.004	Flat	93822
.005	Flat	93823
.006	Flat	96360
.006	Round	96369
.007	Flat - Phos. Bronze	96362
.008	Round	96371
.010	Round	96373
.010	Flat	96364
.012	Round	93828
.015	Round	96375
.018	Round	93824
.020	Round	96377
.025	Round	93825
.030	Round	93811
.035	Round	96383
.037	Round	98136
.040	Round	96385
.045	Round	96389
.050	Round	96391
.055	Round	93827
.060	Round	96393
.065	Round	96399
.070	Round	96401
.075	Round	96403
.080	Round	96405
.090	Round	179407
.100	Round	179408
.110	Round	179409
.120	Round	179410
.130	Round	310420
.135	Round	310421
.140	Round	310422
.145	Round	310423
.147 & .153	Round	310413
.150	Round	310424
.280	Round	310425
.320	Round	310426

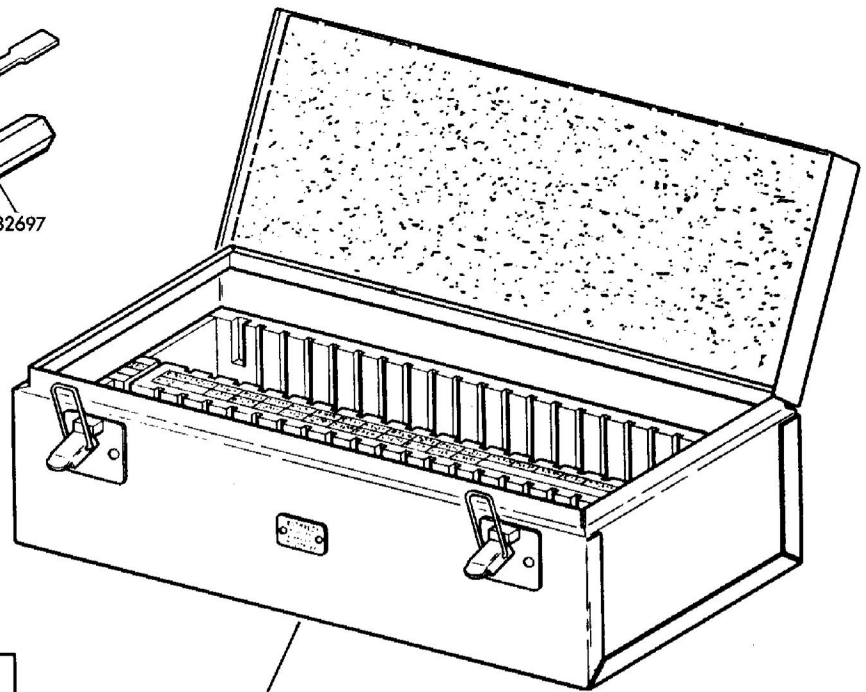
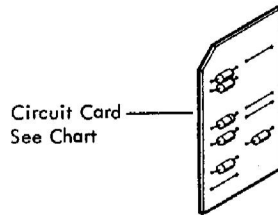
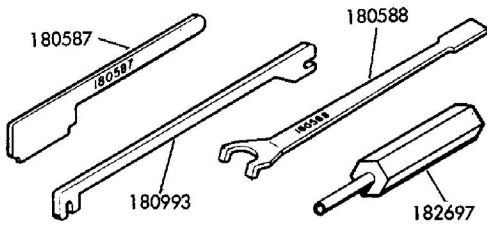






Ⓢ The 149836 Punch Block Cleaner ("A" = .005") can be used on punch block assemblies either with or without verifier. The 149836 Punch Block Cleaner ("A" = .006") can be used only on punch block assemblies without verifier.



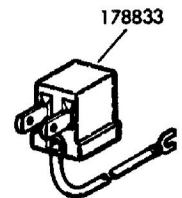
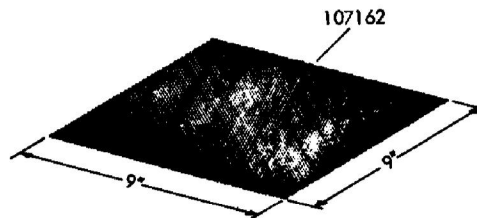


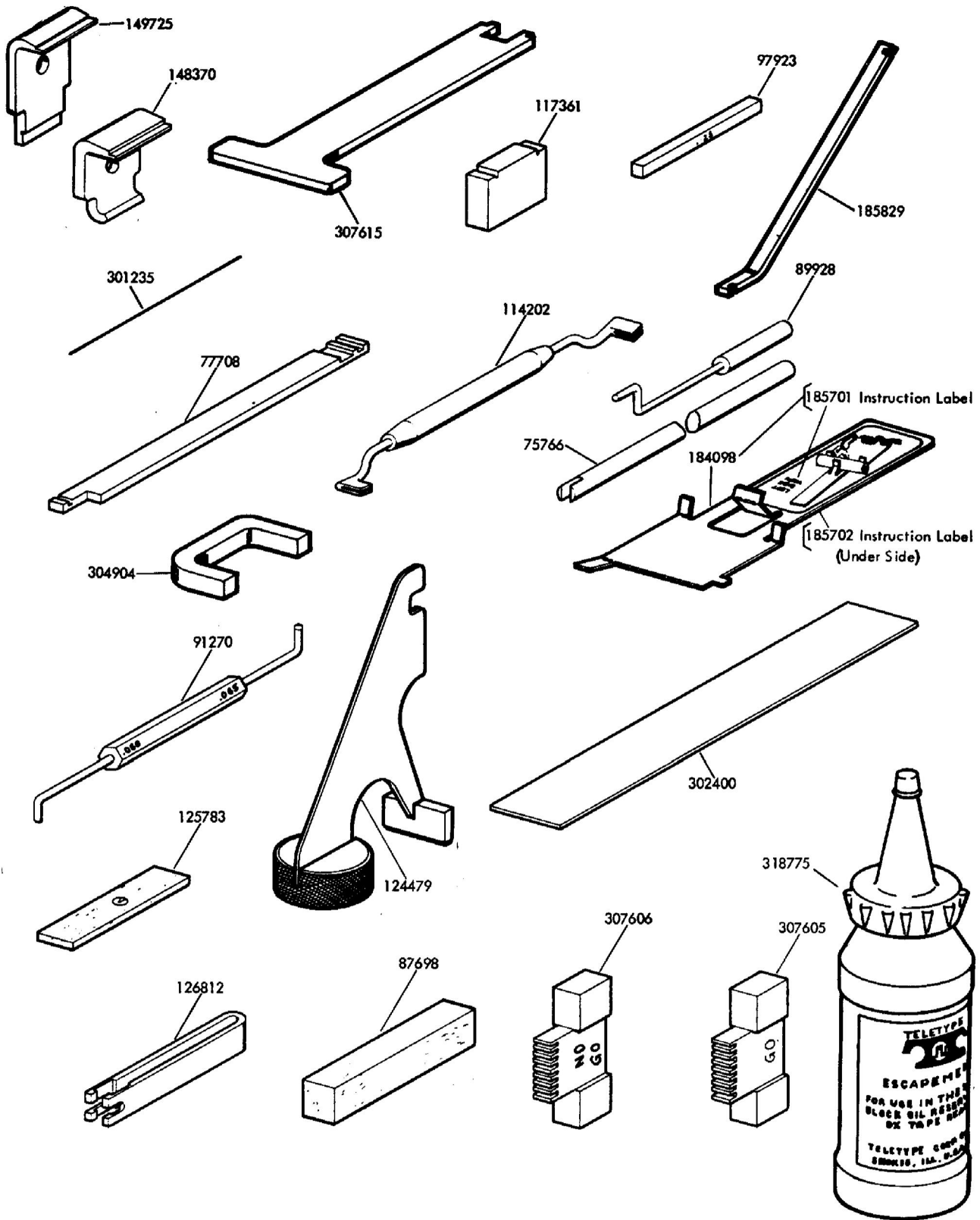
PAPER COVERED MYLAR TEST TAPES		
Description	Code	Part Number
27 Repetitions of 14 Character Pattern	5 Level	146605
27 Repetitions of 14 Character Pattern	8 Level	146606
27 Repetitions of 14 Character Pattern	6 Level	146861
78 Repetitions of 14 Character Pattern	5 Level	148101
78 Repetitions of 14 Character Pattern	8 Level	148102
189 Repetitions of 2 Character pattern	8 Level	148554
Error detection and correction (EDC)	8 Level	303069
480 Repetitions of Single Character Pattern	8 Level	303098
240 Repetitions of 2 Character Pattern	8 Level	303099
17" of repeated letters Character Pattern	5 Level	320279
"Brown Fox" Sequence	5 Level	305734
	8 Level	305735
"Brown Fox" Pattern	5 Level	326742
	8 Level	326743

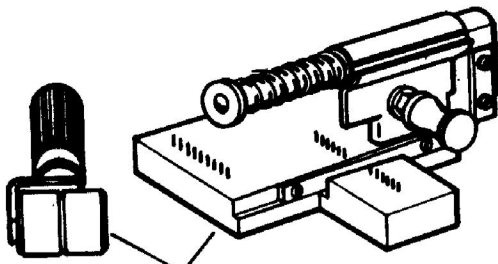
146540 146538

146539 Spare Circuit Card Kit			
Designation	Part Number	Designation	Part Number
EC321	172321	EC374	172374
EC322	172322	EC375	172375
EC323	172323	EC385	172385
EC324	172324	EC394	172394
EC325	172325	EC395	172395
EC326	172326	EC396	172396
EC333	172333	EC401	172401
EC347	172347	EC420	172420
EC351	172351	EC431	172431
EC352	172352	EC469	172469
EC355	172355	EC473	172473
EC359	172359	EC475	172475
EC361	172361	EC490	172490
EC363	172363	EC520	146520
EC365	172365	EC521	146521

172450 Extension Card Assembly (15 Pin)
148454 Extension Card Assembly (36 Pin)







317212 (Bell System Code 2A)

ASCII CODE
35 TYPE PRINTER TYPEBOX

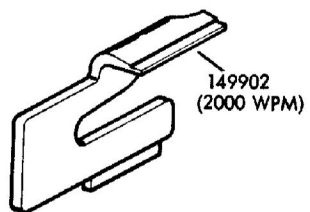
70-FOURTEEN FIELD										70-LETTERS FIELD																																							
00	01	02	03	04	05	06	07	08	09	10	11	12	13	14	15	16	17	18	19	20	21	22	23	24	25	26	27	28	29	30	31	32	33	34	35	36	37	38	39										
SP	LF	CR	FF	DEL	SH	ESC	SP	0	1	2	3	4	5	6	7	8	9	A	B	C	D	E	F	G	H	I	J	K	L	M	N	O	P	Q	R	S	T	U	V	W	X	Y	Z	[\]	^	_	~

CR - 1348 WPU - 13
LF - 24 BEL - 1238
SP - 30 EOT - 30

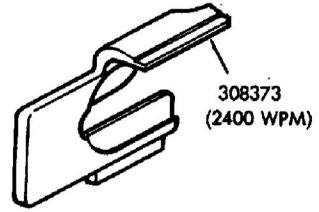
152050 (Model 28)
321942 (Model 33 and 35)

SPLICING PATCHES

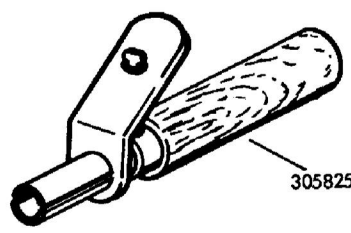
CODE LEVELS	TELETYPE PART NO.	COLOR CODE	FEED HOLES	PATCH WIDTH
5	317325	BLUE	IN LINE	11/16
6	317326	RED	ADVANCED	7/8
7	317327	LAVENDER	IN LINE	7/8
8	317328	GREEN	IN LINE	1"



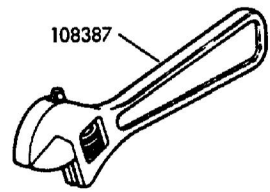
149902
(2000 WPM)



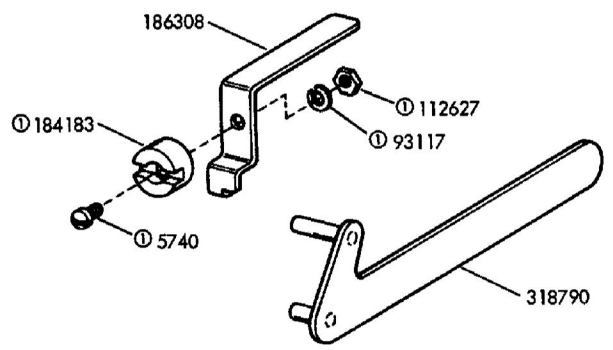
308373
(2400 WPM)



305825



108387



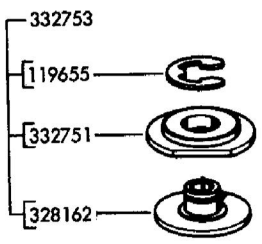
186308

① 184183

① 5740

① 112627
① 93117

318790

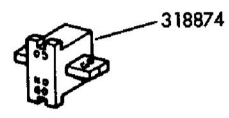


332753

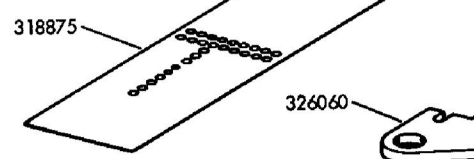
119655

332751

328162

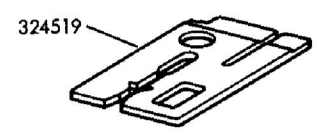


318874

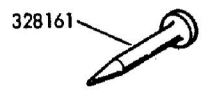


318875

326060

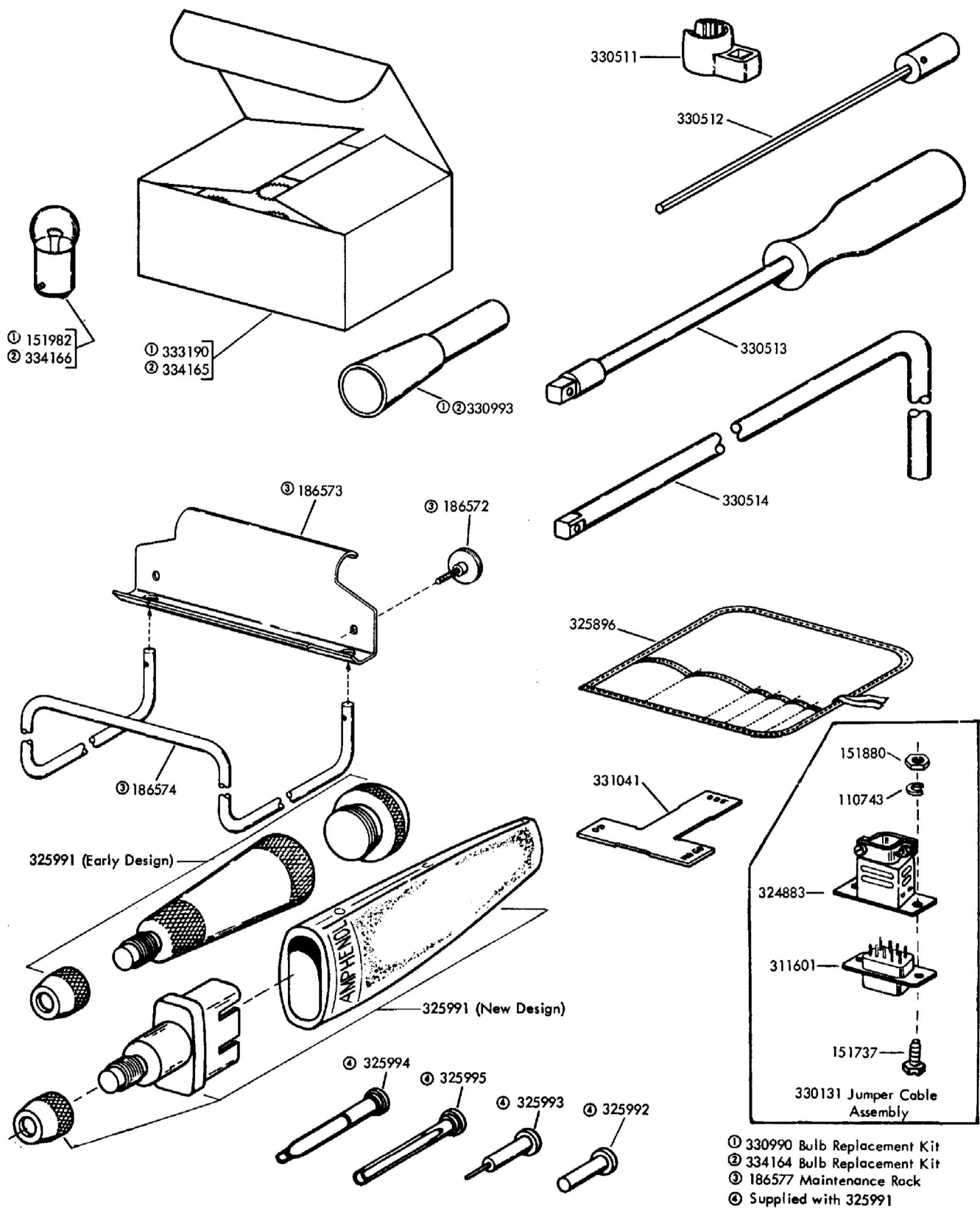


324519

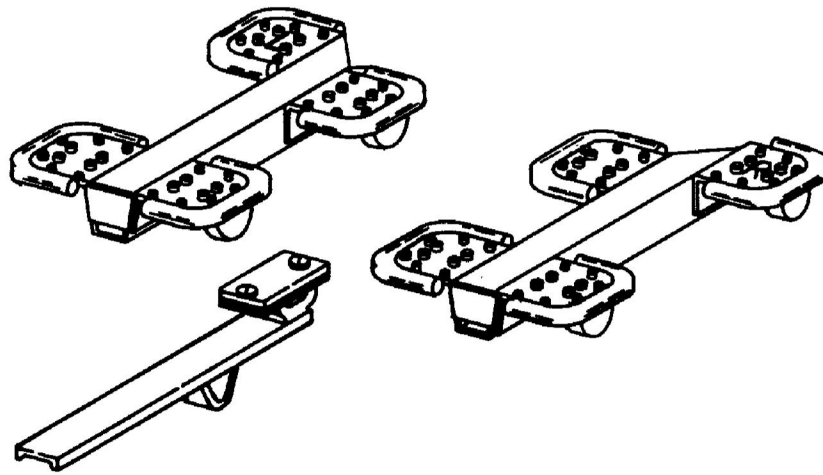
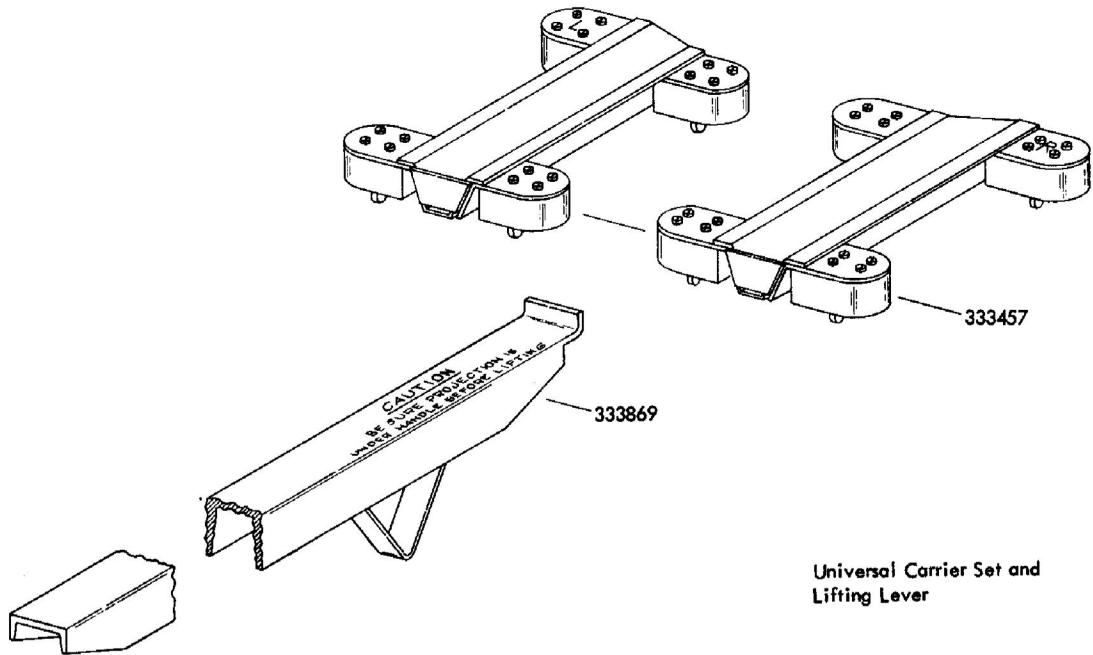


328161

① Part of 186308



- ① 330990 Bulb Replacement Kit
- ② 334164 Bulb Replacement Kit
- ③ 186577 Maintenance Rack
- ④ Supplied with 325991



179661 (Carrier for model 28 only)

TOUCH UP PAINT - 1 PINT								
Air Dry Brush Enamel						Air Dry Brush Lacquer		
Smooth Finish			Wrinkle Finish			Smooth Vinyl		
Color	Teletype Code	Part Number	Color	Teletype Code	Part Number	Color	Teletype Code	Part Number
Black High Gloss	BA	143431	Black	AA	120820	Light Olive Gray	HF	304364
Black Semi-Gloss	BB	143432	Gray Green	AB	120821	Gray Green	GA	304365
Light Gray (Coast Guard)	BH	143433	Light Brown	AC	120822	Light Aqua	HK	304366
Gray Green	BK	143434	Dark Brown	AD	120823			
Light Gray	BR	143435						
Light Gray (Navy)	BU	143435						
Charcoal Gray	BZ	143436						
Navy Ocean Gray	ED	143437						
Light Olive Gray	EW	143438						

LUBRICANTS					
Grease			Oil		
Part Number	Quantity	Brand Name	Application	Quantity	Part Number
88973	1 lb		General	1 qt	88970
97116	4 oz			1 gal	88971
108805	2 oz	Lubriplate 105 or TKS 102			
143484	1 lb	Mobil #2			
145867	4 oz	Mobil #2			
195298	1 lb	Beacon #325 or TKS 103			
301313	1-3/4 oz	Aero Lubriplate			

ADHESIVE		
Quantity	Application	Part Number
5 oz	Felt Pads	143285
1 Pint	Rubber Pads And Insulators	163584
1 Pint	Air Filter	175379

GASKET MATERIAL	
Description	Part Number
Self-Adhesive Polyurethane 50 Ft Roll	305713

CLEANING CONCENTRATE	
Quantity	Part Number
1 Gal Can	321052
5 Gal Can	321078
6oz Aerosol Can (Electrode Cleaner)	334510
16 oz Aerosol Can (Contact Cleaner)	337988
5 oz Tube (Hand Cleaner)	334508

SHOP TOWELS	
Description	Part Number
Masslinn 12" x 17" Open Size Packed Folded (8-1/2" x 6") in 100 per Cardboard Box Dispenser	310397
Twill Jean Cloth (9" x 9")	107162
Glove; Silicone-Free Large size.	337607

TOOL KITS

113778 Universal Tool Kit contains the following:

Part Number	Description	Page Number	Part Number	Description	Page Number
6617	Wrench, Tommy	3	110443	Scale, 8 oz Spring	2
72003	Bender, Contact Spring	6	110444	Scale, 32 oz Spring	2
72574	Tool, Holding	6	113756	Wrench Set	2
72575	Tool, Finger Bending	6	113777	Tool Kit	2
72581	Pin, Gauge	6	116156	Wrench, Spanner	3
73370	Gauge, Locating	7	117781	Gauge Set, Feeler	4
73404	Wrench, Tommy	3	124134	Bender, Contact Spring	6
73408	Magnifier	4	124682	Wrench, Hex Key	3
75503	Hook, Push Spring	4	125752	Wrench, 3/16" Socket	3
75765	Hook, Pull Spring	4	129848	Screwdriver	3
77618	Box, Tool	8	135059	Scale, 15 lb. Spring	2
82711	Scale, 64 oz Spring	2	142554	Hook, Pull Spring	4
87698	Stone, Carborundum	10	142555	Hook, Push Spring	4
88993	Burnisher, Contact	3	151351	Hook, Pull Spring	4
91117	File, Contact	3	151384	Holder, Screw	3
94644	Screwdriver, 30° Offset	3	151392	Tweezers	4
94645	Screwdriver, 90° Offset	3	151959	Hook, Pull Spring	4
95368	Screwdriver	3	152223	Scale, 70 gram Spring	2
95960	Gauge, Tape	7	321071	Clip, Armature	5
99947	Tool, Punch Block Cleaning	7	159841	Wrench, Hex Key	3
104457	Wrench, Hex Key	3	161686	Tool, Tine Removal	5
110271	Wrench, Hex Key	3	179411	Gauge Set, Feeler	4

146642 Special Tool Kit (To Supplement The 113778 Tool Kit) contains the following:

Part Number	Description	Page Number	Part Number	Description	Page Number
110445	Bender, Contact Spring	6	145867	Grease, 4 oz Tube	14
143089	Clip, Armature	7	172060	Bender, Contact Spring	6

151940 Special Tool Kit (Model 28 Page Printer Set) contains the following:

Part Number	Description	Page Number	Part Number	Description	Page Number
73408	Magnifier	4	151392	Tweezers	4
100982	Screwdriver w/Clip	3	151394	Brush, Type Cleaning	4
151351	Hook, Pull Spring	4	151959	Hook, Pull Spring	4
151382	Screwdriver	3	152835	Wrench, 5/16" & 3/8" Cpen End	2
151383	Tool, Keylever Remover	5	152837	Wrench, 3/16" & 1/4" Cpen End	2
151384	Holder, Screw	3	161430	Handwheel	5

159114 Tool Kit (Model 28 Equipment) contains the following:

Part Number	Description	Page Number	Part Number	Description	Page Number
104457	Wrench, Hex Key	3	159841	Wrench, Hex Key	3
129537	Wrench, 9/16" & 3/4" Open End	2	159926	Gauge w/Pin, Punch Bail Arm	7
156011	Gauge, Tape	7	160396	Pliers, Retaining Ring	3
156743	Gauge, Tape Lid	6	172060	Bender, Contact Spring	6
159133	Gauge	7			

TOOL KITS (Continued)

171312 Tool Kit (High Speed Tape Punch and Tape Reader) contains the following:

Part Number	Description	Page Number	Part Number	Description	Page Number
82711	Scale, 64 oz Spring	2	110444	Scale, 32 oz Spring	2
88970	Oil, 1 qt	14	110445	Bender, Contact Spring	6
88993	Burnisher, Contact	3	113756	Wrench Set	2
89954	Wrench, 1/4" Socket	3	117781	Gauge Set, Feeler	4
89955	Wrench, 5/16" Socket	3	129534	Wrench, 3/16" & 1/4" Open End	2
94644	Screwdriver, 30° Offset	3	142554	Hook, Pull Spring	4
94645	Screwdriver, 90° Offset	3	142555	Hook, Push Spring	4
94646	Stick, Orangewood	7	143089	Clip, Armature	7
94647	Screwdriver, 3-1/2" Blade	3	143484	Grease, 1 lb	14
95960	Gauge, Tape	7	149836	Cleaner, Punch Block	7
100704	Screwdriver w/Clip	3	151384	Holder, Screw	3
103625	Can, Oil	8	151392	Tweezers	4
104457	Wrench, Hex Key	3	152223	Scale, 70 gram Spring	2
110442	Screwdriver	3	159841	Wrench, Hex Key	3
110443	Scale, 8 oz Spring	2	172060	Bender, Contact Spring	6

185830 Tool Kit (Model 32 and 33 Equipment) contains the following:

Part Number	Description	Page Number	Part Number	Description	Page Number
104457	Wrench, Hex Key	3	180993	Bender, Contact Spring	9
110445	Bender, Contact Spring	6	181465	Adapter, Handwheel	5
124682	Wrench, Hex Key	3	182697	Extractor, Terminal	9
125752	Wrench, 3/16" Socket	3	183103	Gauge, Tape Reader	4
156011	Gauge, Tape	7	184098	Tool, Selector Cam Removal	10
159841	Wrench, Hex Key	3	185829	Bender, Contact Spring	10
160396	Pliers, Retaining Ring	3	185832	Clip, Armature	5
161686	Tool, Tine Removal	5	186307	Wrench, Hex Key	3
180587	Tool, Carriage Adjusting	9	186308	Gauge, Keyboard Adjusting	11
180588	Tool, Typewheel Adjusting	9	199413	Wrench, 3/16" & 1/4" Offset	7

307523 Tool Kit (High Speed Send/Receive Set) contains the following:

Part Number	Description	Page Number	Part Number	Description	Page Number
95960	Gauge, Tape	7	301235	Probe, Nozzle	10
96352	Gauge, .027"		301313	Grease, 1-3/4 oz	14
100982	Screwdriver w/Clip	3	301409	Tool, Magnet Adjusting	5
103625	Can, Oil	8	301486	Pliers, Gripping	3
108285	Pliers, Long Nose	3	301487	Pliers, Gripping	3
110443	Scale, 8 oz Spring	2	302400	Gauge, Tape Chute	10
124682	Wrench, Hex Key	3	302448	Gauge, Verifier	6
125777	Wrench, 1/4" Offset	7	307605	Gauge, Go Contact	10
129534	Wrench, 3/16" & 1/4" Open End	2	307606	Gauge, No Go Contact	10
129536	Wrench, 7/16" & 1/2" Open End	2	307607	Gauge, Contact Alignment	7
135676	Handle	2	307615	Tool, Eccentric Adjusting	10
135677	Wrench, 1/4" Socket	2	308373	Gauge, Punch Pin Penetration	11
135678	Wrench, 5/16" Socket	2	310105	Screwdriver, Potentiometer Adjusting	5
142555	Hook, Push Spring	4	310106	Wrench, 1/8" Hex Key	3
145867	Grease, 4 oz Tube	14	310394	Wiper, Nozzle	8
149836	Cleaner, Punch Block	7	310395	Vise, Pin	8
152835	Wrench, 5/16" & 3/8" Open End	2	310397	Towels, Shop	14
301168	Ink, 12 oz Special	8	310430	Gauge, Set, Feeler	4

TOOL KITS (Continued)

315783 Tool Kit (Self-Contained DRPE Set) contains the following:

Part Number	Description	Page Number	Part Number	Description	Page Number
82711	Scale, 64 oz Spring	2	117781	Gauge Set	4
88970	Oil, 1 qt	14	124682	Wrench, Hex Key	3
88975	Gun, Grease	8	129534	Wrench, 3/16" & 1/4" Open End	2
88993	Burnisher, Contact	3	129536	Wrench, 7/16" & 1/2" Open End	2
89954	Wrench, 1/4" Socket	3	135060	Tool, Roll	2
89955	Wrench, 5/16" Socket	3	142554	Hook, Pull Spring	4
94644	Screwdriver, 30° Offset	3	145867	Grease, 4 oz Tube	14
94645	Screwdriver, 90° Offset	3	149836	Gauge, Punch Cleaner	7
94646	Stick, Orangewood	7	151384	Holder, Screw	3
100982	Screwdriver w/Clip	3	151392	Tweezers	4
103625	Can, Oil	8	152223	Scale, 70 Gram Spring	2
104457	Wrench, Hex Key	3	152835	Wrench, 5/16" & 3/8" Open End	2
108285	Pliers, Long Nose	3	152837	Wrench, 3/16" & 1/4" Open End	2
108805	Lubriplate	14	194853	Injector, Oil	8
110442	Screwdriver	3	302990	Gauge, Tape	7
110443	Scale, 8 oz Spring	2	305825	Tool, Lamp Extractor	11
110444	Scale, oz Spring	2	308373	Gauge, Punch Pin Penetration	11
110445	Bender, Contact Spring	6	332753	Indicator Assembly	11

323922 Tool Kit (DRPE 808 and (Tape Puller Transport) same as 315783 Tool Kit except delete following parts:

Part Number	Description	Page Number	Part Number	Description	Page Number
108805	Lubriplate, 2 oz Tube	14	305825	Tool, Lamp Extractor	11
194853	Injector, Oil	8			

330048 Tool Kit (High Speed Inktronic Set) contains the following:

Part Number	Description	Page Number	Part Number	Description	Page Number
108805	Lubriplate, 2 oz	14	331368	Container, Tool Kit	6
145867	Grease 4 oz	14	334500	Aspirator, Ink	6
310394	Whiper, Nozzle	8	334503	Filter	6
310425	Gauge, .280	4	334508	Cleaner, 5 oz Hand	14
310426	Gauge, .320	4	334510	Cleaner, Electrode	14
325710	Connector	6	336152	Magnet	6
330131	Jumper Cable Assembly	12	337607	Glove	14
331041	Gauge	12			

330520 Tool Kit (Cradle Immobilization) contains the following:

Part Number	Description	Page Number	Part Number	Description	Page Number
330511	Socket, Crows Foot	12	330513	Driver, Flexible	12
330512	Screwdriver, Hex Head Cap	12	330514	Wrench, 1/4" sq Socket	12

NUMERICAL INDEX

Part Number	Description and Page Number	Part Number	Description and Page Number	Part Number	Description and Page Number
5740	Screw, 2-56 x 1/4 Fil 11	93824	Gauge, .018" 4	103625	Can, Oil 8,16,17
6617	Wrench, Tommy 3,15	93825	Gauge, .025" 4	103628	Fork, Tuning 8
7002	Washer, Flat 5	93827	Gauge, .055" 4	104262	Case, Tuning Fork 8
72003	Bender, Contact Spring 6,15	93828	Gauge, .012" 4	104457	Wrench, Hex Key 3,15,16,17
72574	Tool, Holding 6,15	93833	Gauge, .003" 4	104986	Fork, Tuning 8
72575	Tool, Finger Bending 6,15	94540	Screw, 10-24 Set 5	107162	Cloth, Twill Jean 9,14
72581	Pin, Gauge 6,15	94644	Screwdriver, 30 Deg Offset 3,15,16,17	108252	Screwdriver 3
73370	Gauge, Locating 7,15	94645	Screwdriver, 90 Deg Offset 3,15,16,17	108285	Pliers, Long Nose 3,16,17
73404	Wrench, Tommy 3,15	94646	Stick, Orangewood 7,16,17	108286	Pliers, Cutting 3
73408	Magnifier 4,15	94647	Screwdriver, 3-1/2" Blade 3,16	108387	Wrench, 4" Adjustable 11
73409	Brush, Camel Hair 4	95368	Screwdriver 3,15	108805	Lubriplate, 2 Oz Tube 14,17
73410	Screwdriver 3	95960	Gauge, Tape 7,15,16	110271	Wrench, Hex Key 3,15
73517	Gauge 7	96352	Gauge, .027" 16	110442	Screwdriver 3,16,17
75503	Hook, Push Spring 4,15	96356	Gauge, .002" 4	110443	Scale, 8 Oz Spring 2,15,16,17
75765	Hook, Pull Spring 4,15	96358	Gauge, .002" 4	110444	Scale, 32 Oz Spring 2,15,16,17
75766	Tool, Special 10	96360	Gauge, .006" 4	110445	Bender, Contact Spring 6,15,16,17
75906	Tool, Local Test 7	96362	Gauge, .007" 4	110743	Lockwasher 12
77618	Box, Tool 8,15	96364	Gauge, .010" 4	112627	Nut, 2-56 Hex 11
77708	Bender, Contact Spring 10	96369	Gauge, .006" 4	113756	Wrench Set 2,15,16
78590	Pliers, Parallel 3	96371	Gauge, .008" 4	113777	Tool Kit 2,15
82711	Scale, 64 Oz Spring 2,15,16,17	96373	Gauge, .010" 4	113778	Tool Kit 15
84020	Puller, Bearing 8	96375	Gauge, .015" 4	114199	Bender, Contact Spring 6
86965	Handle 8	96377	Gauge, .020" 4	114200	Bender, Contact Spring 6
86966	Shaft, Bearing Puller 8	96383	Gauge, .035" 4	114201	Wrench, Closed Offset 7
86968	Pin, Cotter 8	96385	Gauge, .040" 4	114202	Bender, Contact Spring 10
86970	Jaw, Bearing Puller 8	96389	Gauge, .045" 4	114672	Wrench, 3/8" & 7/16" Open End 7
87697	Wrench, 1/2" & 3/4" Open End 7	96391	Gauge, .050" 4	116156	Wrench, Spanner 3,15
87698	Stone, Carborundum 10,15	96393	Gauge, .060" 4	116799	Tool, Bending 6
88970	Oil, 1 Qt. 14,16,17	96399	Gauge, .065" 4	117361	Gauge, Contact Adjusting 10
88971	Oil, 1 Gal. 14	96401	Gauge, .070" 4	117375	Case, Gauge 4
88973	Grease, 1 Lb. 14	96403	Gauge, .075" 4	117781	Gauge Set, Feeler 4,15,16,17
88975	Gun, Grease 8,17	96405	Gauge, .080" 4	118530	Gauge 6
88993	Burnisher, Contact 3,15,16,17	97116	Grease, 4 Oz. 14	119655	Ring, Retaining 11
89928	Tool, Relay Adjusting 10	97923	Gauge, .125" 10	120820	Paint, 1 Pint 14
89954	Wrench, 1/4" Socket 3,16,17	98055	Bender, Contact Spring 6	120821	Paint, 1 Pint 14
89955	Wrench, 5/16" Socket 3,16,17	98136	Gauge, .037" 4	120822	Paint, 1 Pint 14
91117	File, Contact 3,15	98631	Scale, 50 Gram Spring 2	120823	Paint, 1 Pint 14
91270	Gauge, .060" & 0.065" 10	99391	Gauge 6	121038	Wrench, Closed Spanner 3
93117	Washer, Lock 11	99947	Tool, Punch Block Cleaning 7,15	121550	Bender, Contact Spring 6
93811	Gauge, .030" 4	100688	Oiler 8,18	124134	Bender, Contact Spring 6,15
93814	Holder, Gauge 4	100704	Screwdriver w/Clip 3,16	124479	Gauge, Locating 10
93822	Gauge, .004" 4	100982	Screwdriver w/Clip 3,15,16,17		
93823	Gauge, .005" 4	101082	Wrench, 3/4" Open End 7		
		103534	Tool, Bending 6		
		103621	Wrench, Hex Key 3		

NUMERICAL INDEX (Continued)

Part Number	Description and Page Number	Part Number	Description and Page Number	Part Number	Description and Page Number
124682	Wrench, Hex Key 3,15,16, 17	143436	Paint, 1 Pint 14	152835	Wrench, 5/16" & 3/8" Open End 2,15,16
124828	Pad 5	143437	Paint, 1 Pint 14	152837	Wrench, 3/16" & 1/4" Open End 2,15,17
125752	Wrench, 3/16" Socket 3, 15,16	143438	Paint, 1 Pint 14	153673	Shaft 5
125754	Wrench, 1/4" Socket 7	143484	Grease, 1 Lb 14,16	153797	Depressor, Sprocket Pin 5
125755	Wrench, 5/16" Socket 7	145867	Grease, 4 Oz Tube 14,15, 16,17	153807	Post, 2-33/64" Lg 5
125756	Wrench, 3/8" Socket 7	146330	Iron, Soldering 5	153808	Clamp 5
125757	Wrench, 7/16" Socket 7	146331	Tip, Soldering Iron 5	154393	Wrench, 5/32" Open End 2
125758	File, 5-1/4" Contact 3	146520	Card, EC520 Circuit 9	156011	Gauge, Tape 7,15,16
125759	Wrench, 1/8" Open End 7	146521	Card, EC521 Circuit 9	156170	Bender, Contact Spring 6
125762	Wrench, 5/16" Open End 7	146538	Case, Circuit Card Carrying 9	156743	Gauge, Tape Lid 6,15
125765	Wrench, 7/16" & 3/8" Open End 7	146539	Kit, Circuit Card 9	159114	Tool Kit 15
125775	Wrench, 3/8" & 7/16" Open End 7	146540	Kit w/Case, Circuit Card 9	159133	Gauge 7,15
125776	Wrench, 5/16" Open End 7	146605	Tape, 5 Level Test 9	159841	Wrench, Hex Key 3,15,16
125777	Wrench, 1/4" Open End 7,16	146606	Tape, 8 Level Test 9	159926	Gauge w/Pin, Punch Bail Arm 7,15
125783	Stone, Carborundum 10	146642	Tool Kit 15	160396	Pliers, Retaining Ring 3,15,16
126812	Tool, Extracting 10	146861	Tape, 6 Level Test 9	161430	Handwheel 5,15
129534	Wrench, 3/16" & 1/4" Open End 2,16,17	148101	Tape, 5 Level Test 9	161686	Tool, Tine 5,15,16
129535	Wrench, 5/8" & 3/4" Open End 2	148102	Tape, 8 Level Test 9	163584	Adhesive, 1 Pint 14
129536	Wrench, 7/16" & 1/2" Open End 2,16,17	148370	Gauge, Punch Pin Penetration 10	165800	Gauge, Tape 7
129537	Wrench, 9/16" & 3/4" Open End 2,15	148454	Card Assembly, Extension 9	170283	Gauge, Tape Lid 6
129848	Screwdriver 3,15	148554	Tape, 8 Level Test 9	170311	Gauge, Tape Lid 6
135059	Scale, 15 Lb Spring 2,15	149725	Gauge, Punch Pin Penetration 10	172060	Bender, Contact Spring 6,15,16
135060	Roll, Tool 2,17	149836	Cleaner, Punch Block 7, 16,17	172321	Card, EC321 Circuit 9
135675	Roll, Tool 2	150040	Screw, 6-40 x 5/8 Fil 5	172322	Card, EC322 Circuit 9
135676	Handle 2,16	151351	Hook, Pull Spring 4,15	172323	Card, EC323 Circuit 9
135677	Wrench, 1/4" Socket 2,16	151382	Screwdriver 3,15	172324	Card, EC324 Circuit 9
135678	Wrench, 5/16" Socket 2, 16	151383	Tool, Keylever Remover 5, 15	172325	Card, EC325 Circuit 9
135679	Blade, Adjusting 2	151384	Holder, Screw 3,15,16,17	172326	Card, EC326 Circuit 9
135680	Blade, Adjusting 2	151392	Tweezers 4,15,16,17	172333	Card, EC333 Circuit 9
139676	Drill 7	151394	Brush, Type Cleaning 4,15	172347	Card, EC347 Circuit 9
142554	Hook Pull Spring 4,15,16, 17	151627	Rod 5	172351	Card, EC351 Circuit 9
142555	Hook, Push Spring 4,15,16	151737	Screw, 4-40 x 11/64 Hex 12	172352	Card, EC352 Circuit 9
143089	Clip, Armature 7,15,16	151880	Nut, 4-40 Hex 12	172355	Card, EC355 Circuit 9
143285	Adhesive, 5 Oz Tube 14	151940	Tool Set 15	172359	Card, EC359 Circuit 9
143431	Paint, 1 Pint 14	151959	Hook, Pull Spring 4,15	172361	Card, EC361 Circuit 9
143432	Paint, 1 Pint 14	151982	Lamp, 6V Incandescent 12	172363	Card, EC363 Circuit 9
143433	Paint, 1 Pint 14	152050	Chart 11	172365	Card, EC365 Circuit 9
143434	Paint, 1 Pint 14	152223	Scale, 70 Gram Spring 2,15,16,17	172374	Card, EC374 Circuit 9
143435	Paint, 1 Pint 14	152258	Post, 3-3/16" Lg 5	172375	Card, EC375 Circuit 9
		152292	Clip, Armature 5	172385	Card, EC385 Circuit 9
				172394	Card, EC394 Circuit 9
				172395	Card, EC395 Circuit 9
				172396	Card, EC396 Circuit 9
				172401	Card, EC401 Circuit 9
				172420	Card, EC420 Circuit 9

NUMERICAL INDEX (Continued)

Part Number	Description and Page Number	Part Number	Description and Page Number	Part Number	Description and Page Number
172431	Card, EC431 Circuit 9	199382	Maintenance Kit 5	310424	Gauge, .150" 4
172450	Card, Assembly, Extension 9	199383	Post, 3-7/32" Lg 5	310425	Gauge, .280" 4,17
		199384	Post, 3-1/2" Lg 5	310426	Gauge, .320" 4,17
172469	Card, EC469 Circuit 9	199413	Wrench, 3/16" & 1/4" Offset Open End 7,16	310430	Gauge Set, Feeler 4,16
172473	Card, EC473 Circuit 9			311601	Connector 12
172475	Card, EC475 Circuit 9	301168	Ink 12 Oz Special 8,16	312709	Clip, Armature 5
172490	Card, EC490 Circuit 9	301235	Probe, Nozzle 10,16	315783	Tool Kit 17
173503	Gauge, Tape Lid 6	301313	Grease, 1-3/4 Oz 14,16	317212	Splicer w/Roller, Tape 11
175379	Adhesive, 1 Pint 14	301409	Tool, Magnet Adjusting 5,16	317325	Patch, Blue Splicing 11
178489	Clip, Armature 5			317326	Patch, Red Splicing 11
178833	Connector, Adapter 3 Pt Plug 9	301486	Pliers, Gripping 3,16	317327	Patch, Lavender Splicing 11
		301487	Pliers, Gripping 3,16		
178902	Gauge, Tape 7	302400	Gauge, Tape Chute 10,16	317328	Patch, Green Splicing 11
179407	Gauge, .090" 4	302448	Gauge, Verifier 6,16	318603	Tool, Adjusting 5
179408	Gauge, .100" 4	302990	Gauge, Tape 7,17	318790	Tool, Adjusting 11
179409	Gauge, .110" 4	303069	Tape, Test 9	318874	Gauge, Height 11
179410	Gauge, .120" 4	303098	Tape, 8 Level Test 9	318875	Gauge, Contact Alignment 11
179411	Gauge Set, Feeler 4,15	303099	Tape, 8 Level Test 9		
179661	Carrier Set 13	304364	Paint, 1 Pint 14	320279	Tape, 5 Level Test 9
180587	Tool, Carriage Adjusting 9,16	304365	Paint, 1 Pint 14	321052	Concentrate, One Gallon Cleaning 14
		304366	Paint, 1 Pint 14		
180588	Tool, Typewheel Adjusting 9,16	304904	Staple, Carrier 10	321071	Clip, Armature 5,15
		305713	Strip, 50 Ft Roll Foam 14	321078	Concentrate, 5 Gal Cleaning 14
180993	Bender, Contact Spring 9, 16	304734	Tape, 5 Level Test 9		
		305735	Tape, 8 Level Test 9	321942	Chart, Code 11
181465	Adapter, Handwheel 5,16	305825	Tool, Lamp Extractor 11, 17	323922	Tool Kit 17
182697	Extractor, Terminal 9,16			324519	Gauge 11
183103	Gauge, Tape Reader 4,16	307523	Tool Kit 16	324883	Shell, Connector 12
184098	Tool Selector Cam Removal 10,16	307605	Gauge, Go Contact 10,16	325710	Connector 6,17
		307606	Gauge, No Go Contact 10, 16	325896	Roll, Tool 12,17
184183	Magnet 11			325991	Holder, Tool 12
185701	Label, Instruction 10	307607	Gauge, Contact Alignment 7,16	325992	Tool, Terminal Removal 12
185702	Label, Instruction 10				
185829	Bender, Contact Spring 10,16	307615	Tool, Eccentric Adjusting 10,16	325993	Tool, Terminal Removal 12
185830	Tool Kit 16	308373	Gauge, Punch Pin Penetration 11,16,17	325994	Tool, Terminal Insert 12
185832	Clip, Armature 5,16			325995	Tool, Terminal Insert 12
186307	Wrench, Hex Key 3,16	309356	Gauge, Feedwheel 3	326060	Gauge 11
186308	Gauge, Keyboard Adjusting 11,16	310105	Screwdriver, Potentiometer Adjusting 5,16	326742	Tape, Test 9
				326743	Tape, Test 9
186572	Screw, 6-40 Thumb 12	310106	Wrench, 1/8" Hex Key 3, 16	328161	Bit, Tool 11
186573	Handle 12			328162	Indicator w/Pin 11
186574	Runner 12	310394	Wiper, Nozzle 8,16,17	330048	Tool Kit 17
186577	Rack, Maintenance 12	310395	Vise, Pin 8,16	330131	Jumper, Cable 12,17
194853	Injector, Oil 8,17	310397	Towels, Shop 14,16	330511	Socket, Crows Foot 12,17
195298	Grease, 1 Lb 14	310413	Gauge, .147" & .153" 4	330512	Screwdriver, Hex Head Cap 12,17
197671	Disk, Indicator 5	310420	Gauge, .130" 4		
197672	Pointer 5	310421	Gauge, .135" 4	330513	Driver, Flexible 12,17
197673	Modification Kit 5	310422	Gauge, .140" 4	330514	Wrench, 1/4" Sq Socket 12,17
199367	Post, 1-51/64" Lg 5	310423	Gauge, .145" 4		

NUMERICAL INDEX (Continued)

Part Number	Description and Page Number	Part Number	Description and Page Number	Part Number	Description and Page Number
330520	Tool Kit 17	333190	Box 12	334503	Filter 17
330990	Kit, Bulb Replacement 12	333457	Carrier Set 13	334508	Cleaner, 5 Oz Hand 14,17
330993	Extractor, Lamp 12	333869	Lever, Lifting 13	334510	Cleaner, Electrode 14,17
331041	Gauge 12,17	334164	Kit, Bulb Replacement 12	336152	Magnet 6,17
331368	Container, Tool Kit 6,17	334165	Box 12	337607	Glove 14,17
332751	Disk, Indicator 11	334166	Lamp, 6V Incandescent 12	337954	Punch, Hand 3
332753	Indicator Assembly 11,17	334500	Aspirator, Ink 6,17	337988	Cleaner, Contact 14