

**BURIED PLANT
TERMINALS AND CLOSURES**

CONTENTS	PAGE
1. GENERAL	1
2. CLOSURES AND TERMINALS	2
B CABLE CLOSURE (10-INCH)	2
B CABLE CLOSURE (15-INCH)	3
C CABLE CLOSURE	4
D CABLE CLOSURE	5
E CABLE CLOSURE (REPLACES 38-Y-D OR 38-Y-DB)	6
G CABLE CLOSURE (REPLACES NON- GASTIGHT 38-Y-B CABLE CLOSURE)	7
H CABLE CLOSURE (REPLACES NON- GASTIGHT 38-Y-C CABLE CLOSURE)	8
3A1 CLOSURE	9
38-Y-B CABLE CLOSURE	10
38-Y-C CABLE CLOSURE	11
UP1200 CABLE CLOSURE	12
8A2 AND 8B2 CABLE CLOSURES	13
KS-16191 CABLE TERMINAL BOX	14
D BURIED WIRE TERMINAL	15
E BURIED WIRE TERMINAL	16

1. GENERAL

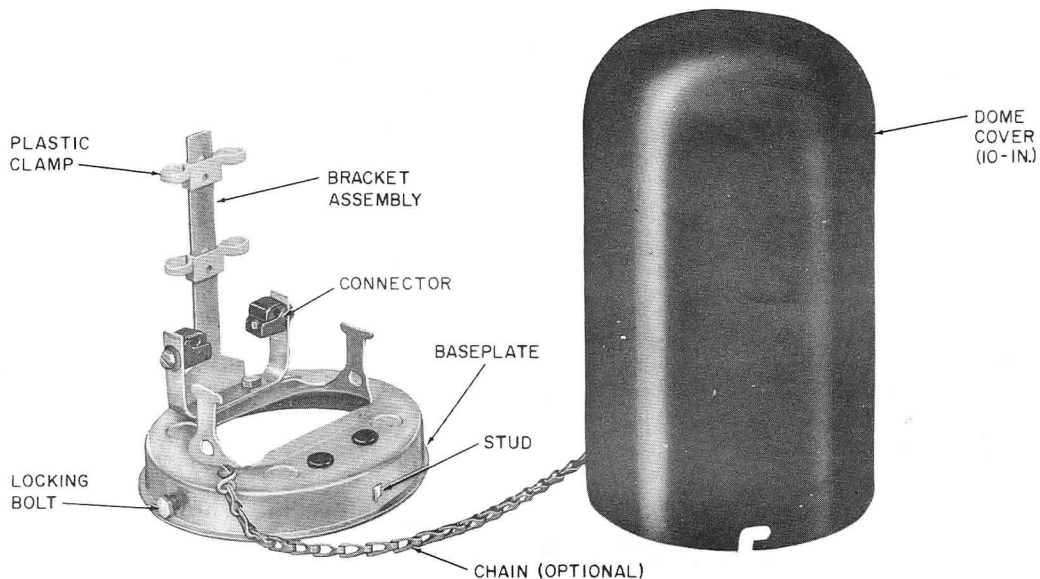
1.01 This section illustrates and gives the uses, mountings, and capacities of the closures and terminals used for buried plant distribution systems and references the Plant Series Section covering the description and use of each item in detail.

1.02 This section is reissued to:

- Include the G and H Cable Closures which replace the nongastight 38-Y-B and 38-Y-C Cable Closures, respectively.
- Change the 8A2 and 8B2 Cable Closures to provide a hole in the tie bar for installing a connector to bond the cable shield to the power neutral ground.
- Change the C Cable Closure to improve method of grounding cable sheath.

2. CLOSURES AND TERMINALS

B CABLE CLOSURE (10-INCH)



USE: For aboveground terminating and loading PIC cables.

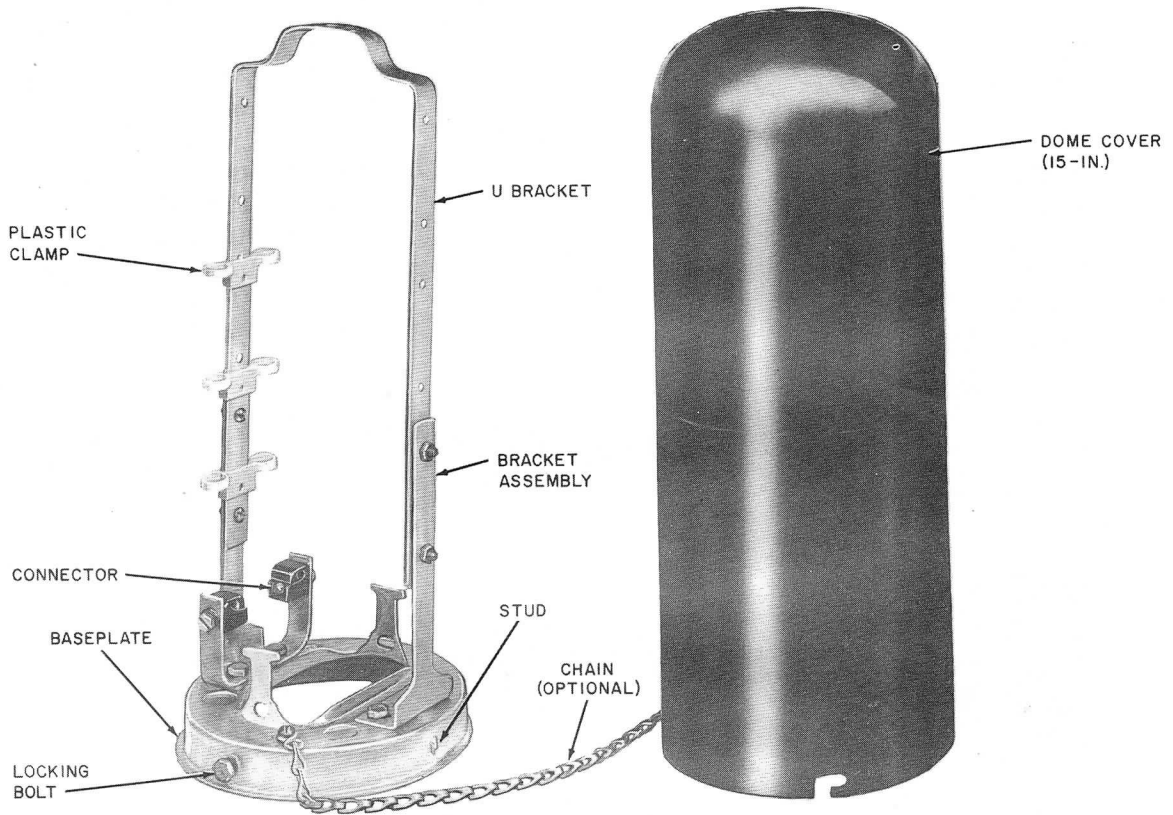
MOUNTING: Post or wall.

CAPACITY OF 10-INCH B CABLE CLOSURE

WIRE CONNECTIONS (PAIRS)		PAIRS TERMINATED ON PROTECTORS (MAX.)	PAIRS LOADED (MAX.)	CABLE	
B SERVICE	D UNDERGROUND			DIA (MAX. OD)	PAIRS (MAX.)
12	6	6	6 - 137A LCC	1.7 in.	300

REFERENCE: Section 631-600-201.

B CABLE CLOSURE (15-INCH)



USE: For aboveground terminating and loading PIC cables.

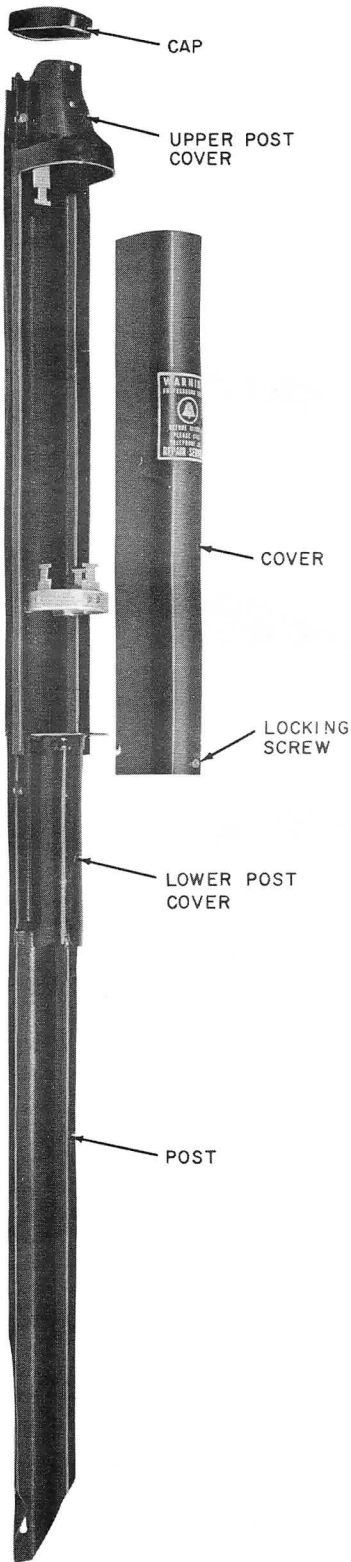
MOUNTING: Post or wall.

CAPACITY OF 15-INCH B CABLE CLOSURE

WIRE CONNECTIONS (PAIRS)		PAIRS TERMINATED ON PROTECTORS (MAX.)	PAIRS LOADED (MAX.)	CABLE	
B SERVICE	D UNDERGROUND			DIA (MAX. OD)	PAIRS (MAX.)
12	6	18	18 - 137A LCC	1.7 in.	300

REFERENCE: Section 631-600-201.

C CABLE CLOSURE



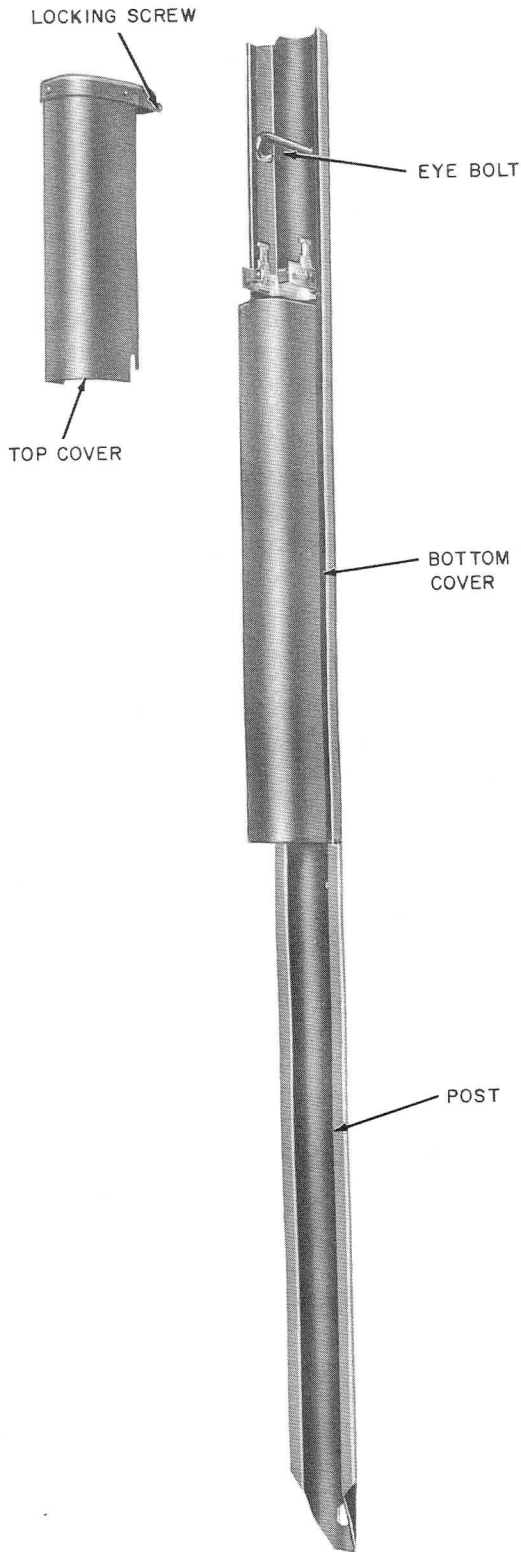
USE: To mount B Cable Closure at splice locations where terminations are required or for aboveground splices at other locations.

MOUNTING: Mounted in ground with 36 inches maximum extending above estimated final grade or flush mounted on pole or wall.

CAPACITY: PIC cable with maximum diameter of 1.7 inches at looped location or any combination of cable with total diameter of 3 inches at straight splice. Will contain a standard 3-inch sleeve 20 inches long.

REFERENCE: Section 631-600-202

D CABLE CLOSURE



USE: For aboveground joining of B Service Wires or D Underground Wire to a looped PIC cable.

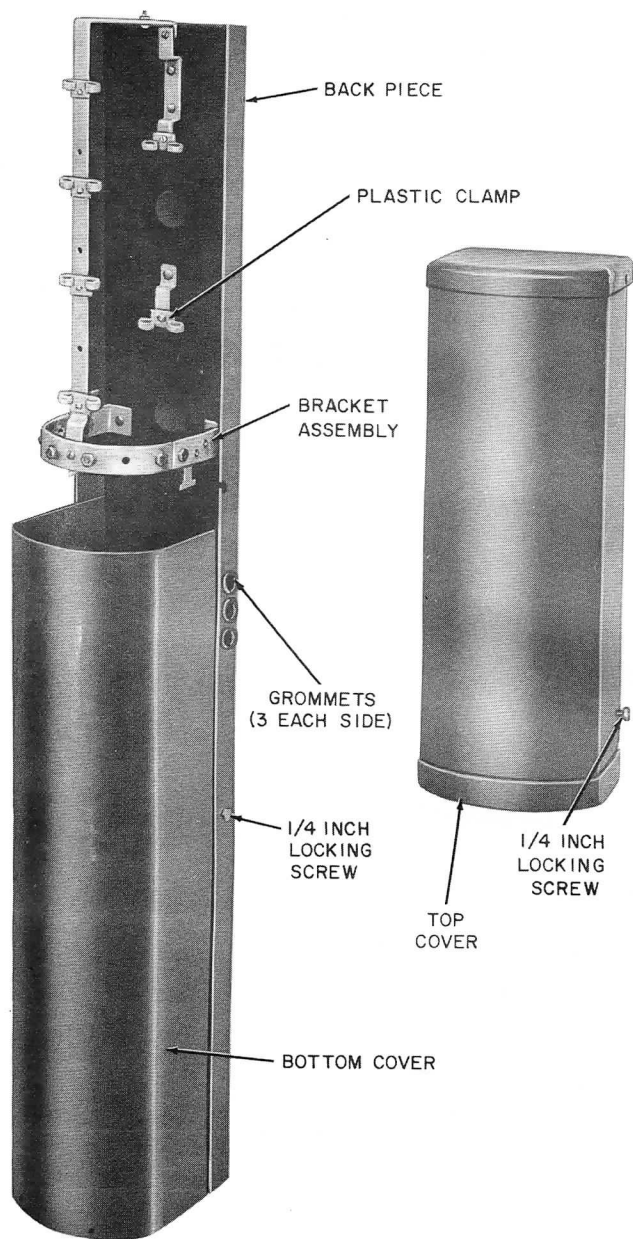
MOUNTING: Mounted in ground. 72-inch closure should extend a maximum of 36 inches and the 48-inch closure between 16 and 20 inches above estimated final grade.

CAPACITY:

WIRE CONNECTIONS (PAIRS)		CABLE DIA (MAX.)
B SERVICE	D UNDER-GROUND	
12	6	1 in.

REFERENCE: Section 631-600-203

E CABLE CLOSURE (REPLACES 38-Y-D OR 38-Y-DB CABLE CLOSURE)



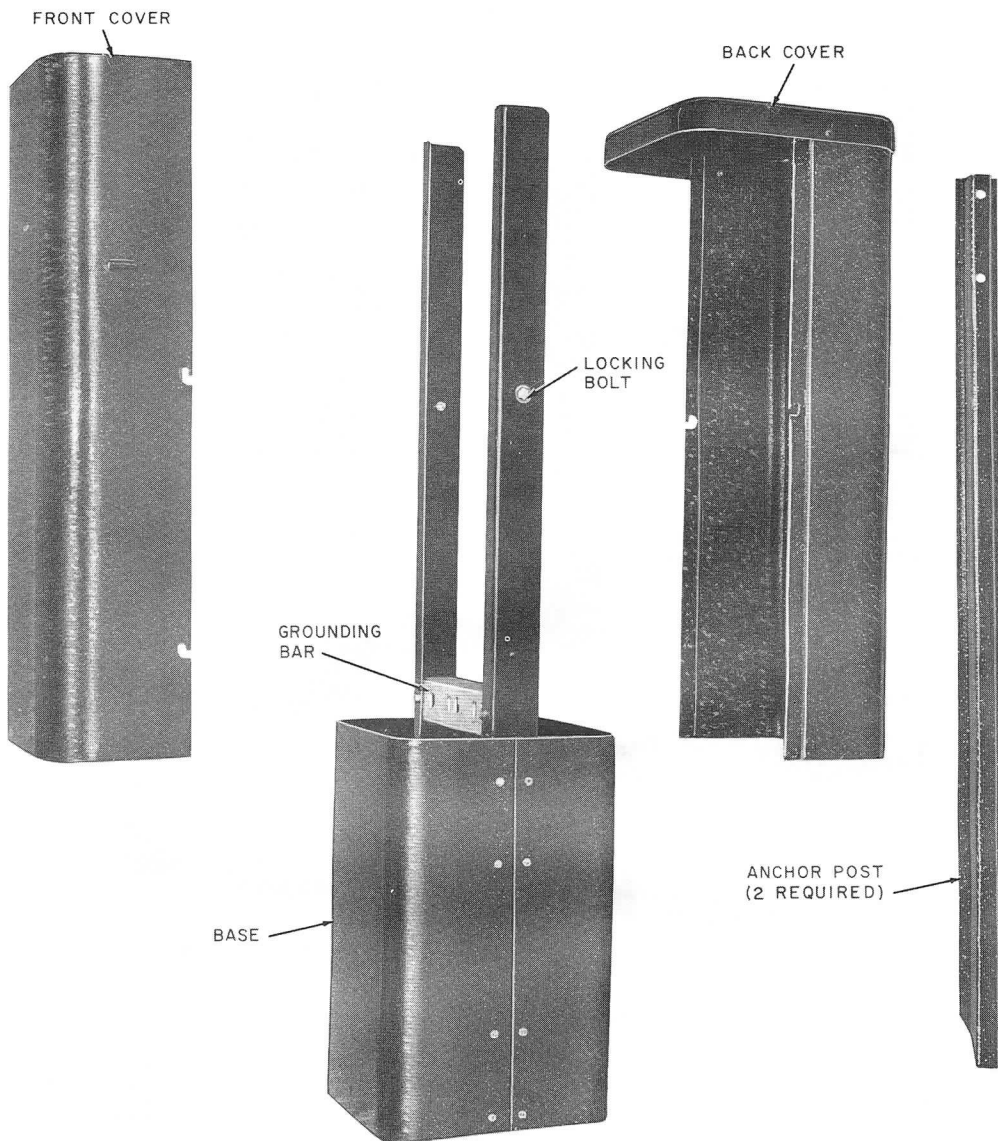
USE: For terminating at junctions between buried PIC cable and aerial, block, buried, and station wire service connections. The lower section can be used to house a splice.

MOUNTING: Mounts at the base of a pole, foundation, or masonry wall; also mounts back-to-back on the same post with power company in joint power and telephone buried distribution plant. Extends in the ground just enough to protect the cable.

CAPACITY:

WIRE CONNECTIONS (PAIRS)		PAIRS TERMINATED (MAX.)		CABLE	
B SERVICE	D UNDERGROUND	UNPROTECTED	PROTECTED	DIA (MAX. OD)	PAIRS (MAX.)
12	6	18	9	1.7 in.	300

REFERENCE: Section 631-600-210 (38-Y-D or 38-Y-DB Cable Closure)
Section 631-600-205 (E Cable Closure)


G CABLE CLOSURE (REPLACES NONGASTIGHT 38-Y-B CABLE CLOSURE)


USE: To enclose aboveground splices in buried PIC cable and control and access points in dedicated plant.

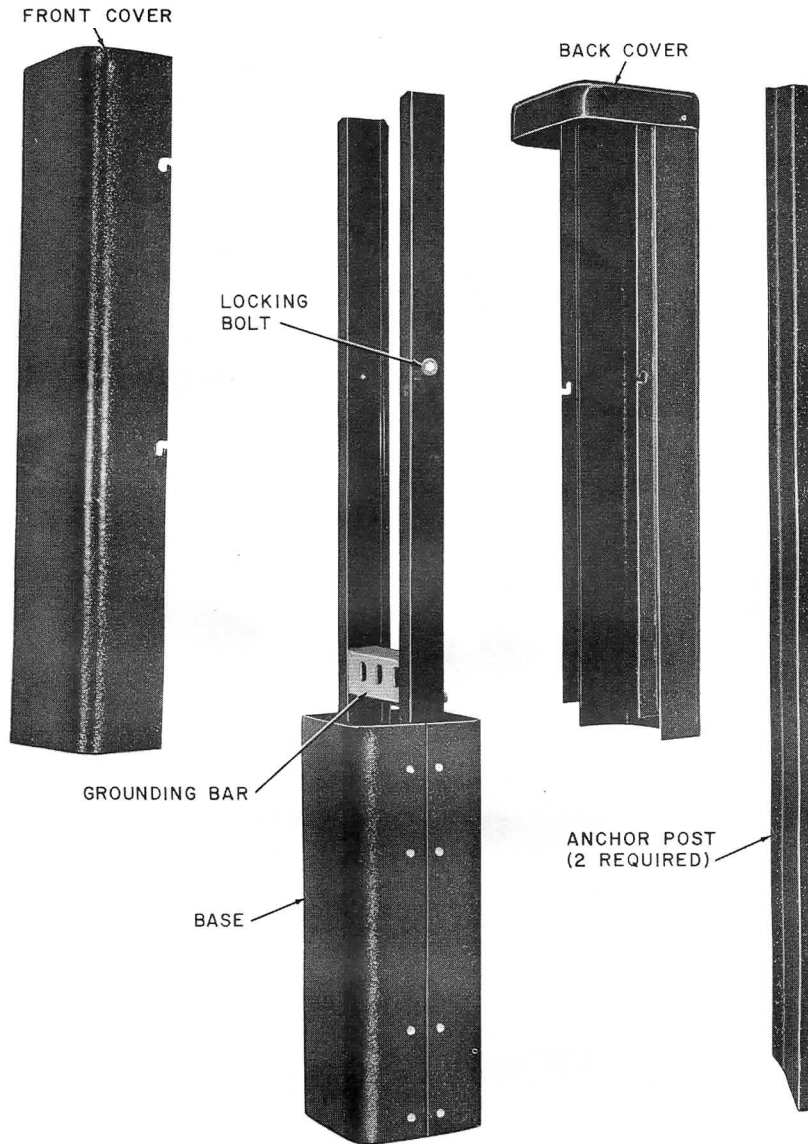
MOUNTING: Mounts on two anchor posts.

CAPACITY: 900 pairs when used as a splice.
900 *IN* pairs and 400 *OUT* pairs
when used as a control or access
point in dedicated plant.

REFERENCE: Section 631-600-221



↳ H CABLE CLOSURE (REPLACES NONGASTIGHT 38-Y-C CABLE CLOSURE)



USE: To enclose aboveground splices in buried PIC cable and control and access points in dedicated buried plant.

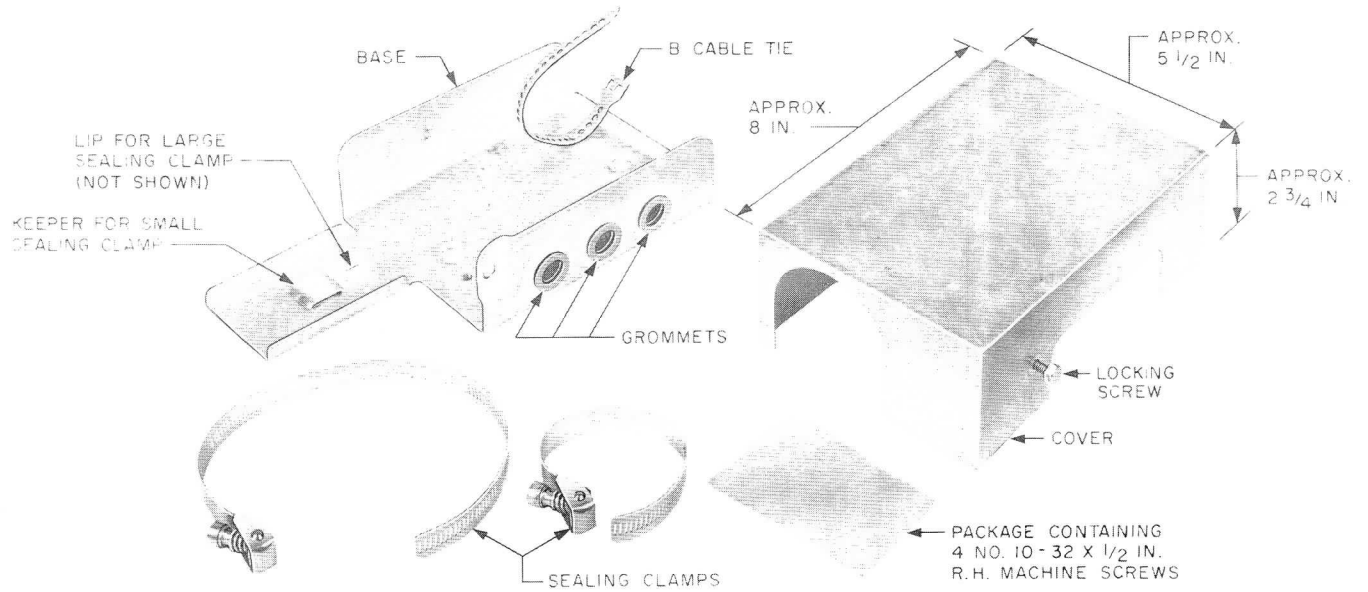
MOUNTING: Mounts on two anchor posts.

CAPACITY: 400 pairs when used as a splice.
400 **IN** pairs and 200 **OUT** pairs
when used as a control or access
point in dedicated plant.

REFERENCE: Section 631-600-221

↳

3A1 CLOSURE



USE: For terminating station wire to PIC cable when main cable loops from house to house.

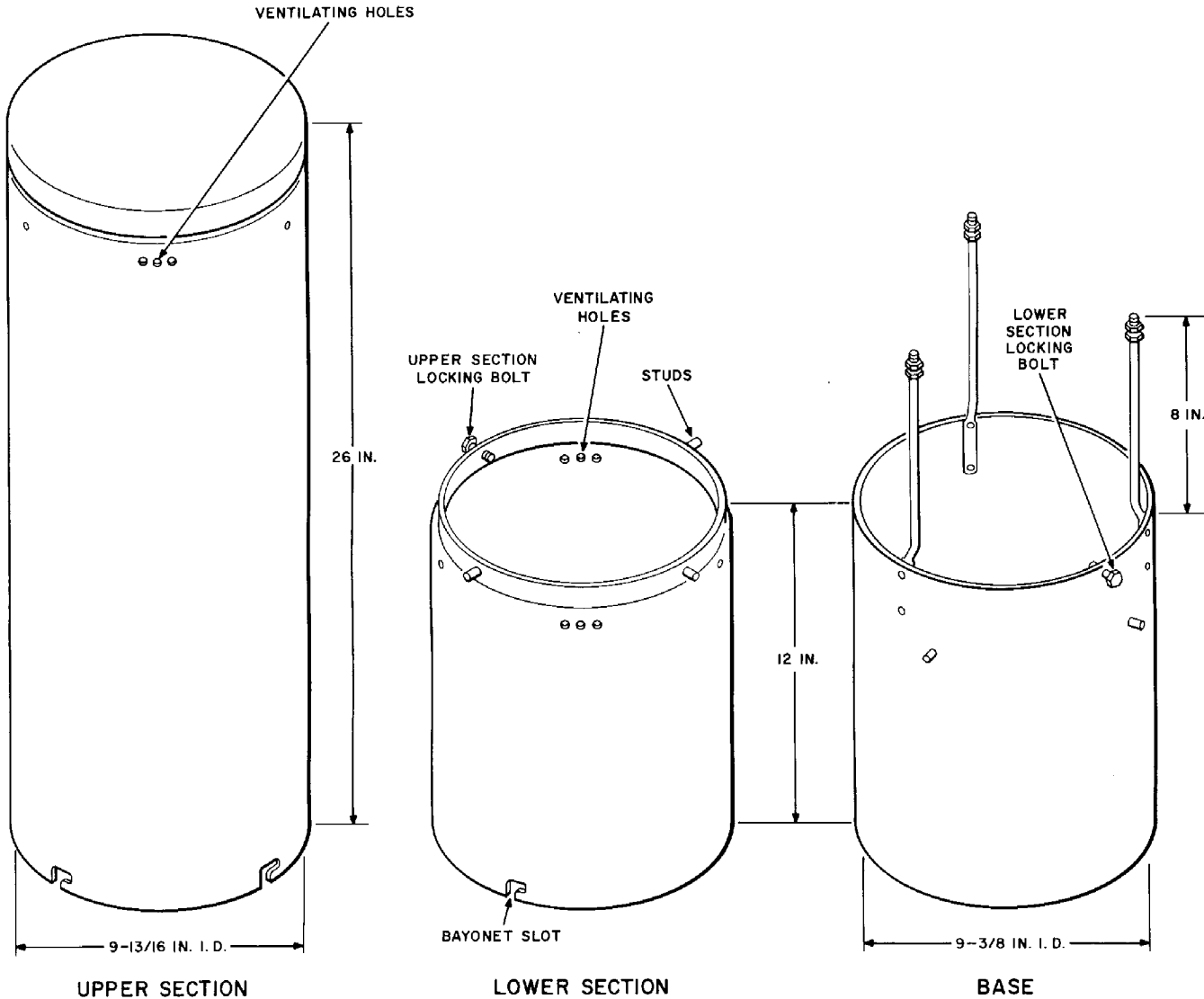
MOUNTING: Mounts on foundation or siding of house.

CAPACITY:

PAIRS TERMINATED (MAX.)		CABLE DIAMETER, INCHES (MAX. OD)
123A1A PROTECTORS	128A1A PROTECTORS	
2	4	1.0

REFERENCE: Section 631-600-204.

SECTION 631-600-101
38-Y-B CABLE CLOSURE



USE: For aboveground splices in PIC cable and for control and access points in dedicated plant with 400 *OUT* pairs. Can be made gastight or nongastight. Recommended for cables with paper or pulp insulation, at loading points, or at junction splices where rearrangements and changes are anticipated.

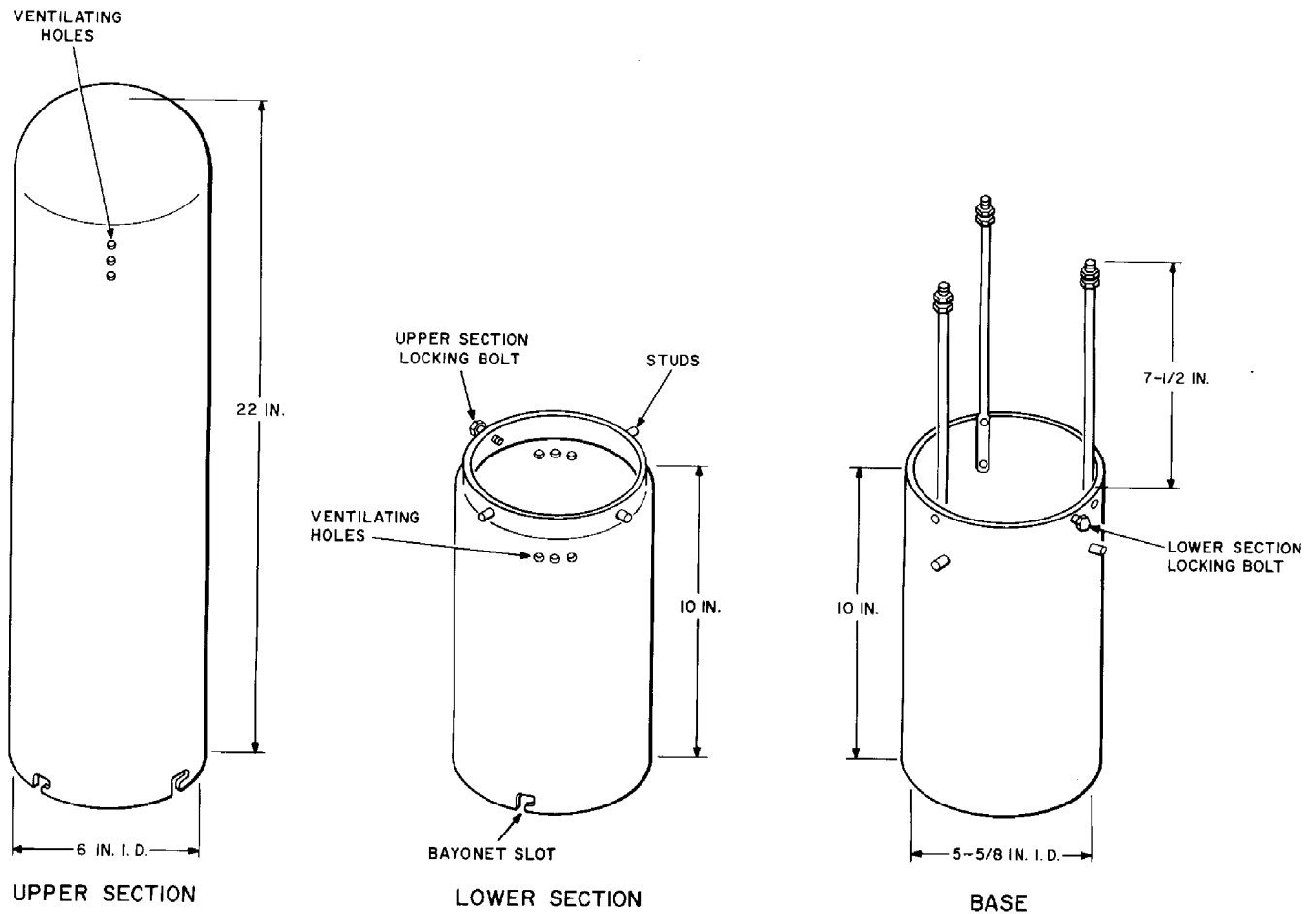
MOUNTING: Mounts on two anchor posts.

CAPACITY:

CABLE CLOSURE 38-Y-B	LEAD SLEEVE SIZE (MAX.)	CABLE SIZES (MAX.)	
		MAIN CABLE OD	BRANCH CABLE OD
B (Gastight Splice)	8 in.	1.37 in. to 2.74 in.	2 - 1.5 in.
B (Nongastight Splice) (See G Cable Closure)	—	1.84 in. to 2.47 in. (PIC Cable 900 Pr Max.)	1 - 2.47 in. & 1 - 1.49 in. or 3 - 1.49 in.

REFERENCE: Section 631-600-220 (Nongastight)
 Section 631-600-222 (Gastight)
 Section 631-600-221 (G Cable Closure)

38-Y-C CABLE CLOSURE



USE: For aboveground splices in PIC cable and for control and access points in dedicated plant with 200 *OUT* pairs. Can be made gastight or nongastight. Recommended for cables with paper or pulp insulation, at loading points, or at junction splices where rearrangements and changes are anticipated.

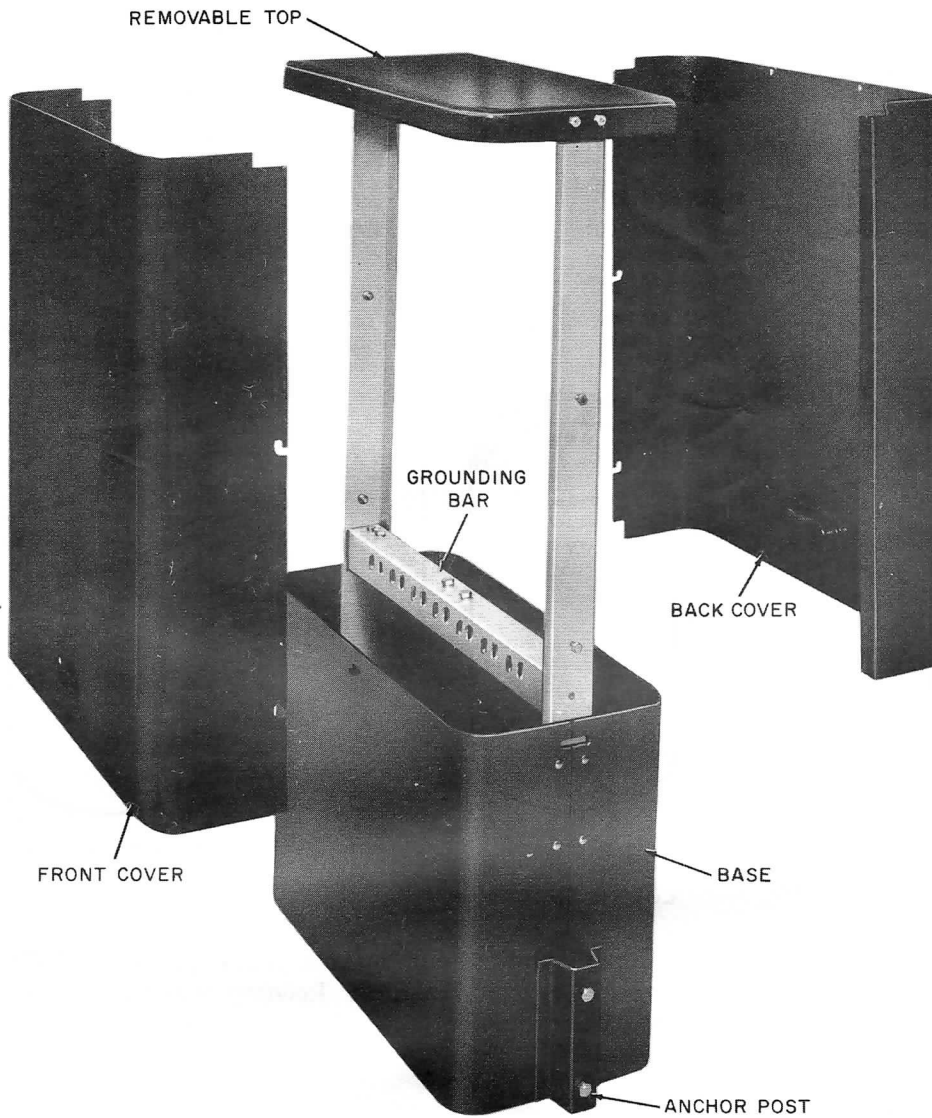
MOUNTING: Mounts on two anchor posts.

CAPACITY:

CABLE CLOSURE 38-Y-C	LEAD SLEEVE SIZE (MAX.)	CABLE SIZES (MAX.)	
		MAIN CABLE OD	BRANCH CABLE OD
C (Gastight Splice)	4-1/2 in.	0.39 in. to 1.36 in.	2 - 0.81 in.
C (Nongastight Splice) (See H Cable Closure)	—	0.39 in. to 1.83 in. (PIC Cable 400 Pr Max.)	1 - 1.49 in. or 2 - 1.01 in.

REFERENCE: Section 631-600-220 (Nongastight)
 Section 631-600-222 (Gastight)
 Section 631-600-221 (H Cable Closure)

UP1200 CABLE CLOSURE



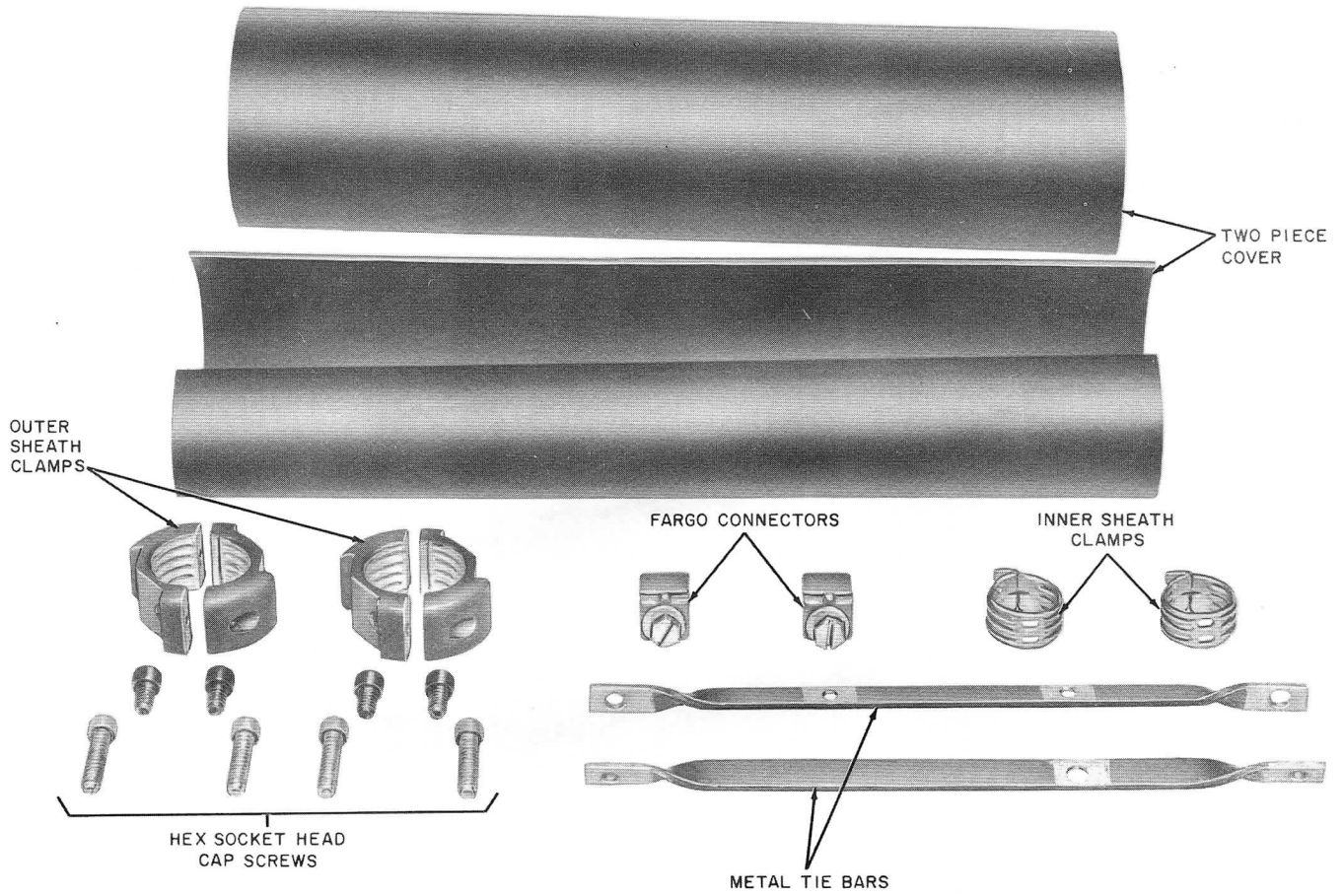
USE: To enclose large aboveground splices in buried PIC cable and control and access points in dedicated buried plant

MOUNTING: Mounts on two anchor posts.

CAPACITY: 1800 pairs when used as a splice. 1800 **IN** pairs and 1200 **OUT** pairs with D Backboard, and 900 **IN** pairs and 400 **OUT** pairs with E Backboard when used as a control or access point in dedicated plant.

REFERENCE: Section 631-600-105

8A2 AND 8B2 CABLE CLOSURES



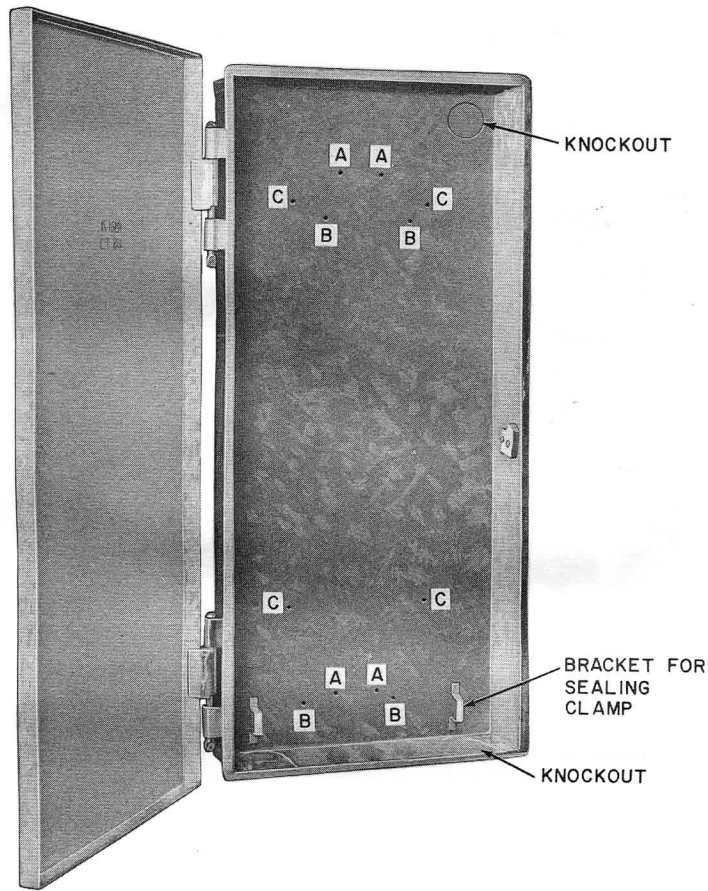
USE: To enclose buried splices in PIC cable. Can be used to bond the cable shield to power neutral ground.

CAPACITY:

CLOSURE	CABLE DIA (MAX.) INCHES OD	WIRE CONNECTIONS (PAIRS)	
		B SERVICE	D UNDERGROUND
8A2	1	12	6
8B2	1 to 1.6	12	6

REFERENCE: Section 631-600-215

KS-16191 CABLE TERMINAL BOX



"A" MOUNTING HOLES FOR 65I BINDING POST CHAMBER.
 "B" MOUNTING HOLES FOR 57A CONNECTING BLOCK.
 "C" MOUNTING HOLES FOR 54A CABLE TERMINAL.

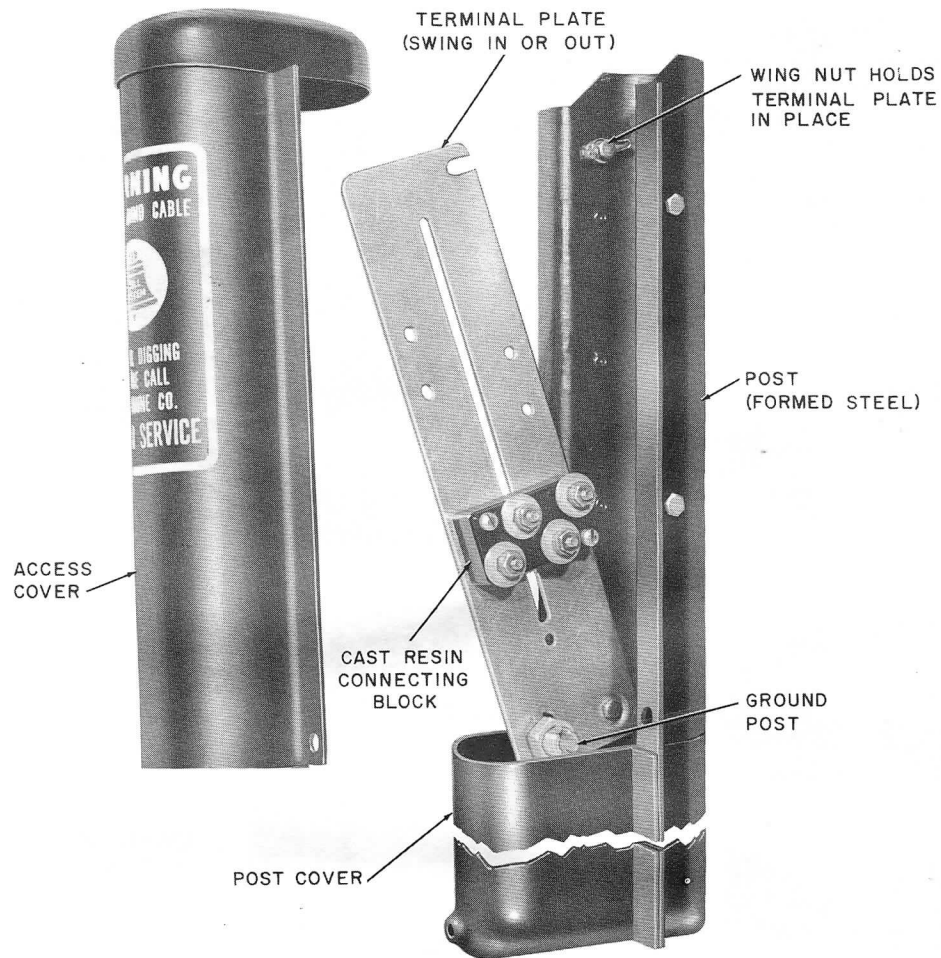
USE: To terminate, splice, and load PIC cable.

MOUNTING: Mounts on post or pole.

CAPACITY:

PAIRS TERMINATED (MAX.)		PAIRS LOADED (MAX.)	CABLE DIAMETER INCHES (MAX. OD)
UNPROTECTED	PROTECTED		
51	—	16 - 637 High Dielectric	1.6

REFERENCE: Section 631-600-207.

D BURIED WIRE TERMINAL

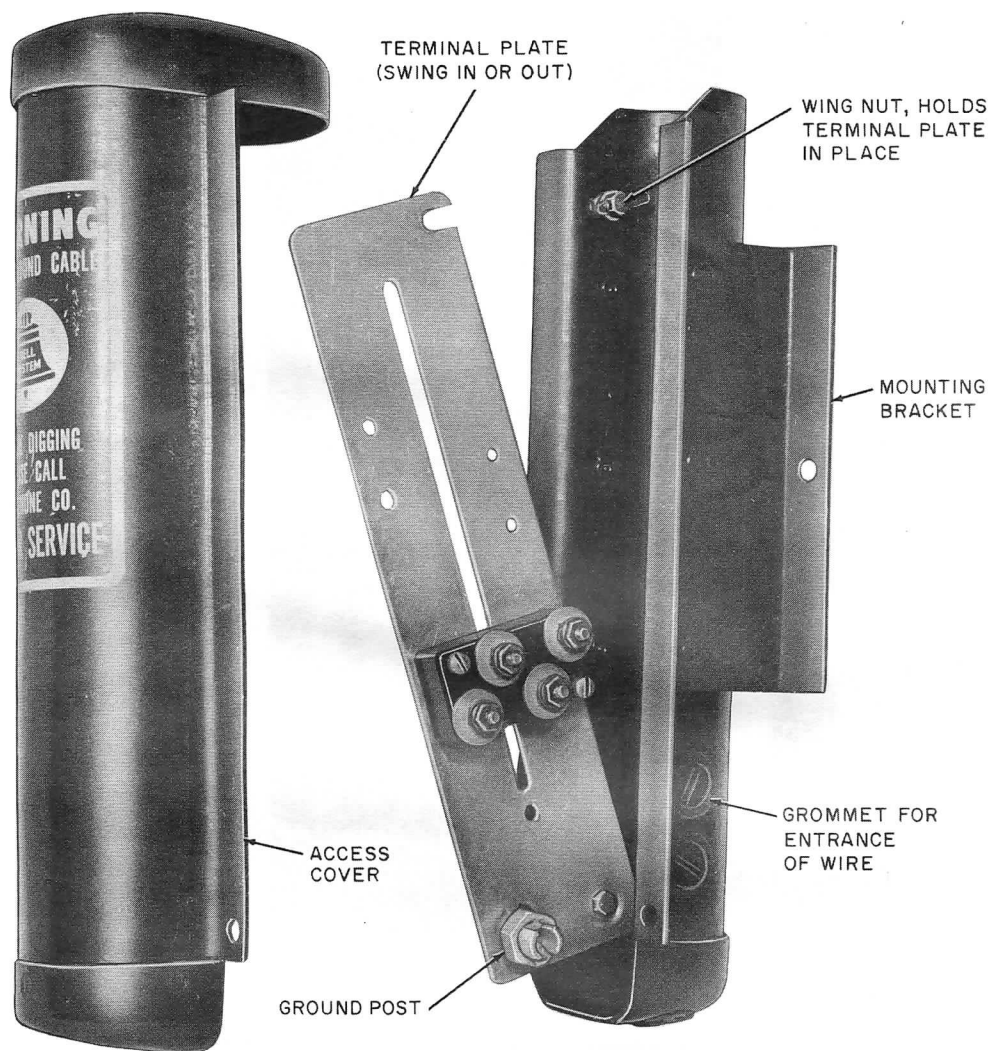
USE: To terminate, splice, and load buried wire.

MOUNTING: Mounts in ground on its steel post.

CAPACITY: The terminal plate will take two 2-pair connector blocks and two 179-type load coils.

REFERENCE: Section 629-720-215.

E BURIED WIRE TERMINAL



USE: To terminate, splice, and load buried wire.

MOUNTING: Wall mounting.

CAPACITY: The terminal plate will take two 2-pair connector blocks and two 179-type load coils.

REFERENCE: Section 629-720-215.