

BELL SYSTEM PRACTICES
Private Branch Exchange
Installation and Maintenance

SECTION B502.321
Issue 2, 1-9-40
AT&T Co Standard

MOUNTING OF HAND SET HANGERS

I. GENERAL

1.01 This section covers the general requirements and methods for installing No. 4A and No. 5A hand set hangers on non-multiple P.B.X. switchboards and No. 2 order turrets where hand sets are required.

1.02 This section is reissued to revise the installing information for these hangers.

1.03 The No. 4A hand set hanger consists of a hook for supporting a hand set and a linoleum bumper pad, fastened into a metal plate. It is mounted in such a manner that when a hand set is hanging from the hook the mouth-piece will rest against the linoleum side of the bumper pad. This hanger may be mounted on the following P.B.X. switchboards and order turret.

550B and C P.B.X.'s—30-line size.

550SC P.B.X.—30-line size.

551A P.B.X.

No. 2 Order Turret.

1.04 When the No. 4A hanger is applied to repaired No. 550 Type P.B.X.'s on which the piling rail has been faced with a fibre detail, the bumper pad may be omitted. On 550B, 550C and 550SC, 30-line switchboards with wooden front panels, an additional bumper plate is required to protect the switchboard finish from possible damage by the hand set receivers.

1.05 The No. 5A hand set hanger consists of a No. 4A hanger and a mounting bracket.

550B and C P.B.X.'s—80 and 320-line sizes.

550SC P.B.X.—80-line size.

551B P.B.X.—80 and 320-line size.

552A P.B.X.

700C P.B.X.—Non-multiple section.

- 1.06 The hand set hangers have no circuit function and serve only to hold the hand set when not in use.

2. TOOLS AND MATERIALS

- 2.01 Bell System Regular Screwdriver—4 inch.
2.02 Rule.
2.03 Drills, as required.
2.04 Mounting screws for hangers.

Note: The 4A and 5A Hangers are each furnished with both wood and machine screws for mounting. The wood screws are required in case the switchboard has not been equipped with bushings for mounting the hangers.

- 2.05 Additional bumper plate per Fig. 3.

Consists of:

- 1—P-298600 bumper plate.
1—P-298601 linoleum pad.
2—P-107993 screws (3/4"—No. 8, bright nickel finish, brass, flat head wood screws). For use in mounting bumper plate when P.B.X. is not equipped with machine screw bushings P-248738.
2—P-242229 screws (1/2" x .164 x 32 bright nickel finish, brass, flat head machine screws). For use in mounting bumper plate when P.B.X. is equipped with machine screw bushings P-248738.

3. REQUIREMENTS AND METHODS

Preparation and Mounting on P.B.X.'s Not Equipped with Hanger Mounting Bushings

- 3.01 Drill the end panel or face of the switchboard and mount the hanger as indicated by Figs. 1, 2 and 3.

Note: Where a hand set hanger is mounted upon a fibre faced panel the holes for the mounting screws shall be drilled through the fibre in such a manner as to permit complete clearance of the screws.

- 3.02 Where the No. 4A hanger is used on Nos. 550B, 550C and 550SC, 30-line switchboards having wooden front panels, drill the panel as shown in Fig. 1 and mount an additional bumper plate in the location shown in Fig. 3.

Mounting on P.B.X.'s Equipped with Hanger Mounting Bushings

- 3.03 Remove apparatus blanks P-407320 from machine screw holes in bushings.
- 3.04 Mount hanger using the flat head, nickel finished machine screws, furnished with the hangers.

Preparation and Mounting on No. 2 Type Order Turrets

- 3.05 Drill end of order turret and mount as indicated by Figs. 1 and 4.
- 3.06 Follow 3.03 and 3.04 when mounting hangers on order turrets equipped with hanger mounting bushings.

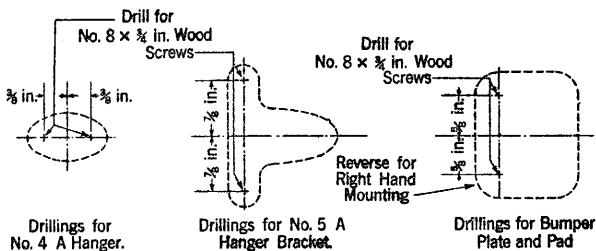
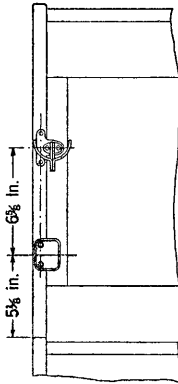
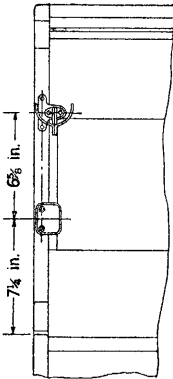


Fig. 1—Drilling Information

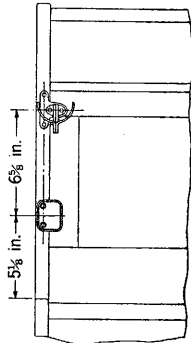
OVER ADDRESSING



5 A Hand Set Hanger on the 550 B and 550 C (320 Line), 551 B, 562 A and 700 C Non-Mult. P.B.X. Swbds.

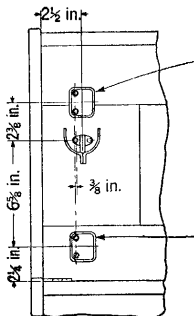


5 A Hand Set Hanger on the 80 Line 550 SC P.B.X. Swbd.



5 A Hand Set Hanger on the 550 B and 550 C (80 Line) P.B.X. Swbd.

Fig. 2—Mounting Information

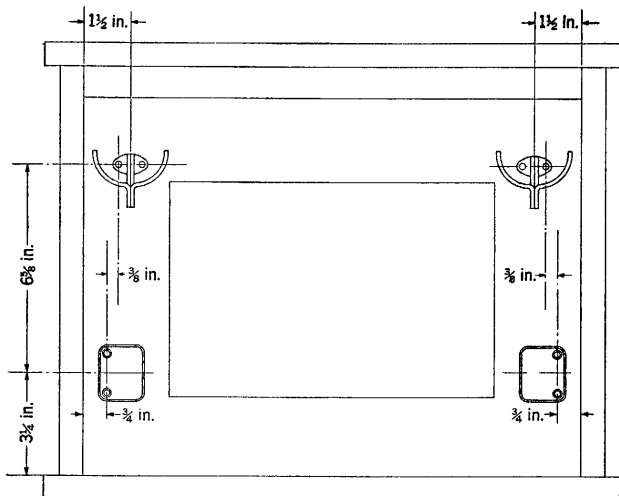


On Nos. 550B, 550C and 550SC, 30-line switchboards with wooden front panels, drill in accordance with Fig. 1 and mount in this position an additional bumper plate consisting of a P-298600 plate and a P-298601 linoleum pad. Where mounting bushings have been provided on the swbd. use P-242229 nickel finished, flat head machine screws. Countersink the pad so that the mounting screws will be slightly underflush. Where mounting bushings have not been provided use P-107993 nickel finished, flat head wood screws for mounting.

When a bumper pad is located in this position, the instruction card holder should be relocated to the right side of the top rail.

4 A Hand Set Hanger on the 550 B, 550 C and 550 SC (30 Line) and 551 A P. B. X. Swbds.

Fig. 3—Mounting Information



4A Hand Set Hanger on Either End of a No. 2 Order Turret

Fig. 4—Mounting Information

MOUNTING OF HAND SET HANGERS

This addendum supplements Section B502.321, Issue 2, as follows:

1. GENERAL

1.07 Nos. 4A and 5A hand set hangers may be installed on non-multiple cord P.B.X. switchboards and order turrets when these equipments are provided with hand sets as operators' instruments.

1.08 Installation of Nos. 4A and 5A hand set hangers at station locations should be handled as follows:

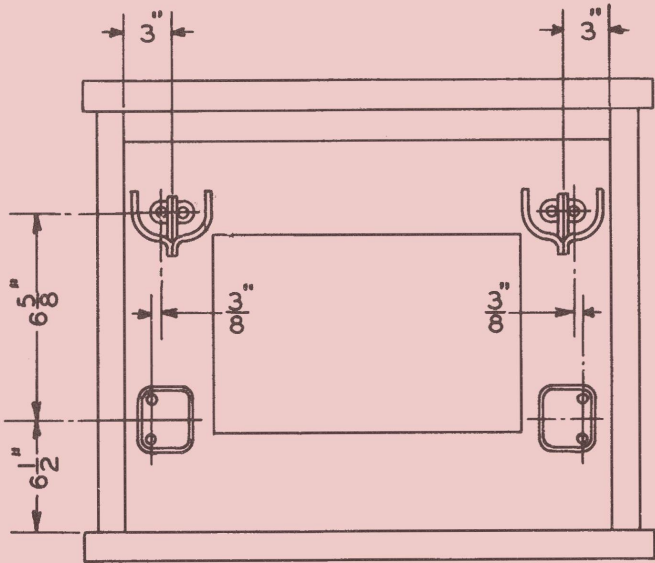
(a) Installers: Refer to the dispatcher requests by customers for the installation of hand set hangers at station locations. Do not make the installation until a service order or a correction has been issued on a rate-to-follow basis or bearing the approval of the General Commercial Engineer. Likewise, do not execute service orders calling for the installation of these hangers at station locations unless the order bears the notation RTF (rate-to-follow) or the approval of the General Commercial Engineer.

(b) Repairmen: Refer customers to the business office who request the installation of hand set hangers at station locations.

3. REQUIREMENTS AND METHODS

Preparation and Mounting on 200A Order Turrets

3.07 Drill end of order turret and mount as indicated by Fig. 1 of the section and Fig. 5 of this addendum.

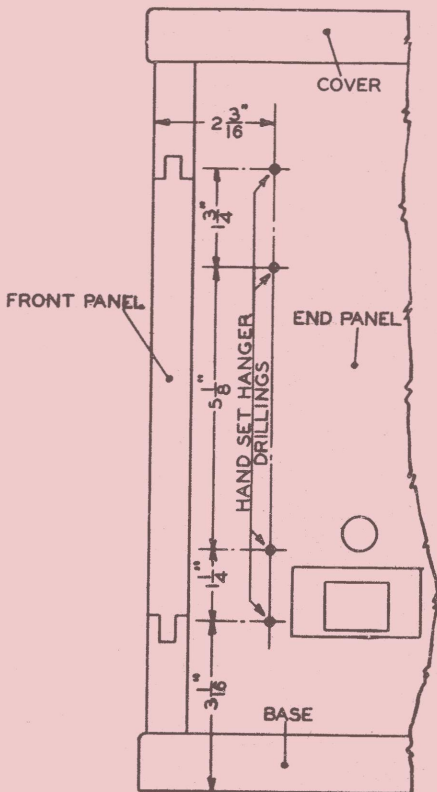


4-A HAND SET HANGER ON
EITHER END OF 200-A ORDER TURRET

FIG. 5
MOUNTING INFORMATION

Preparation and Mounting on 200B Order Turrets

3.08 Drill end panel of order turret and mount as indicated by Fig. 6 of this addendum.

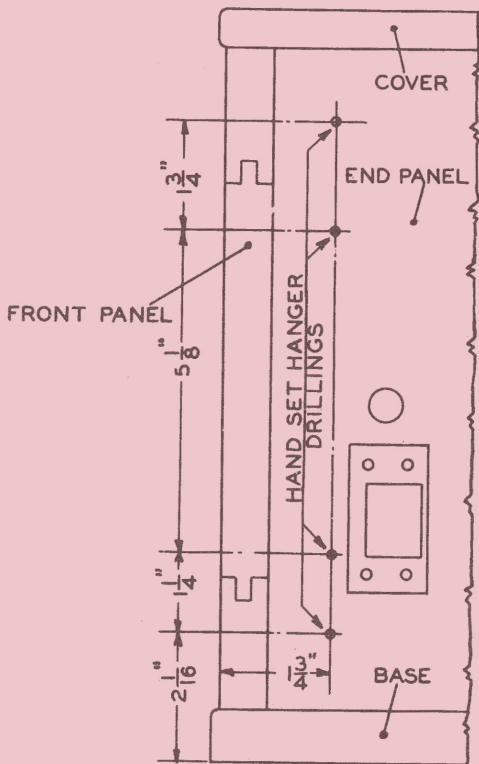


LOCATION OF N°5-A HAND SET
HANGER DRILLINGS
200-B ORDER TURRET

FIG. 6

Preparation and Mounting on 80B Order Turrets

3.09 Drill end panel of order turret and mount as indicated by Fig. 7 of this addendum.



LOCATION OF N°5-A HAND SET
HANGER DRILLINGS
80-B ORDER TURRET

FIG. 7