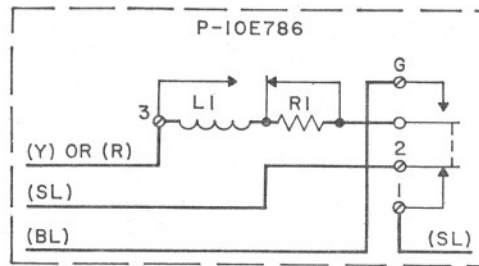


COIN COLLECTORS — PREPAY
174 CS, GS; CT, GT
COMMON BATTERY — CONNECTIONS



Note 1: The 174CT, GT coin collectors are equipped with P-10E786 coin relays wired as shown above.

Note 2: In some upper housings transfer contacts may be designated Y, BB, YY, W, BK-YY, and X, respectively.

Note 3: Brown gong signal lead or black filter lead may be connected to X terminal on coin chute instead of 5 terminal.

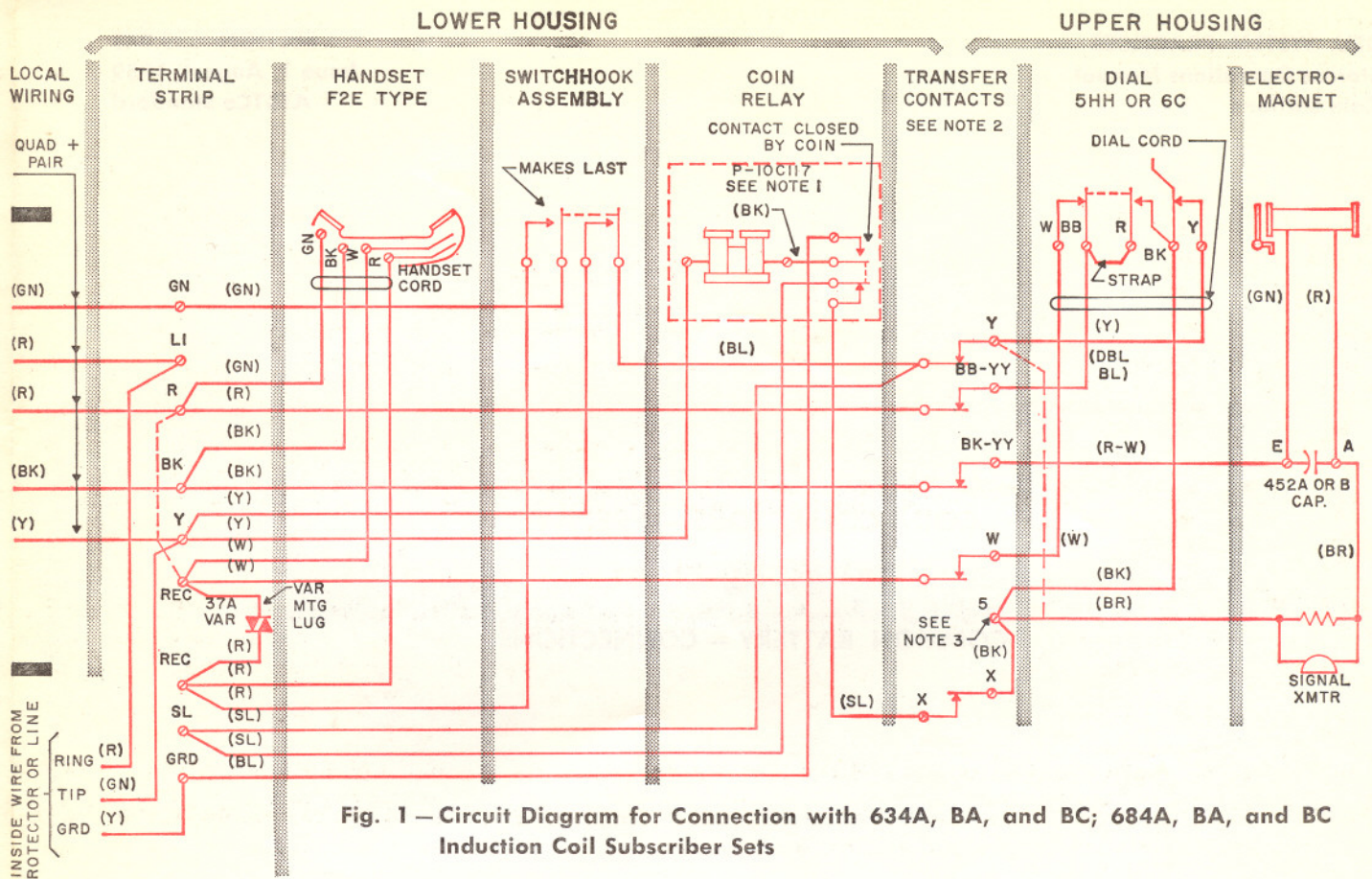
Note 4: Dotted lines in diagram show manual set connections.

Note 5: When a 61R filter is required for radio-frequency suppression, move yellow dial lead from Y upper housing contact spring and connect filter leads as follows:

Yellow lead to filter bracket terminal

Black lead to No. 5 upper housing contact

Red lead to Y upper housing contact.



SEE NOTES ON FACING PAGE

