

COIN COLLECTORS — PREPAY — 176CL, DL, GL, HL

LOCAL BATTERY — CONNECTIONS

1.00 INTRODUCTION

This section covers the combination of apparatus, circuit diagrams, and connections for the 176CL, DL, GL, and HL coin collectors when used for prepay service on a 10-cent initial charge basis as local battery talking—common battery signaling stations.

2.00 GENERAL

2.01 The line limits within which the coin features of these coin collectors will operate, when used as local battery talking—common battery signaling stations, are dependent upon the type and arrangement of the central office equipment to which they are connected. Therefore, these coin collectors shall not be used as such stations without proper authorization.

2.02 These coin collectors may be used with either the 634YD subscriber set (standard connections) or the 634YE subscriber set (long loop connections) when their use does not conflict with the requirements in 2.01.



FIG. 1—176CL, DL
 MANUAL SET



FIG. 2—176GL, HL
 DIAL SET EQUIPPED
 WITH APPARATUS
 BLANK

TABLE A—COMBINATION OF APPARATUS—LOWER HOUSING AND BACKPLATE

Type Collector	Components				
	Handset	Handset Cord	Coil Relay	Relay Cover	Varistor
176CL 176GL	F2E	H4BC	P-145749	KS-7994 or P-349486	37A

TABLE B—COMBINATION OF APPARATUS—UPPER HOUSING

Type Collector	Components				
	Dial	Dial Adapter	Apparatus Blank	Cord Holder	Coin Chute Assembly
176CL	—	—	50C	1B	P-339528
176DL					P-339529
176GL	5HH 6C	56A 63A	—		P-339528
176HL					P-339529

Note: Assembly P-339528 consists of a P-339526 chute, a P-349093 electromagnet (nonpolarized) and a 452A or B capacitor. Assembly P-339529 differs in that it is equipped with a P-339527 chute.

3.00 CONNECTIONS

3.01 The circuit diagrams in this section are shown on a foldout page so that they may be associated with the circuit diagram of the appropriate subscriber set to provide complete information for the connection of station apparatus.

3.02 The designations on the transfer contact terminals in some upper housings are different from those shown herein. Corresponding terminals are as shown in Table C.

3.03 The 176GL and HL coin collectors are arranged for, but not equipped with, a 61R filter for radio-frequency suppression. When a filter is required, move the yellow dial lead from terminal Y in the upper housing to the filter bracket terminal and connect the filter as shown in Fig. 5.

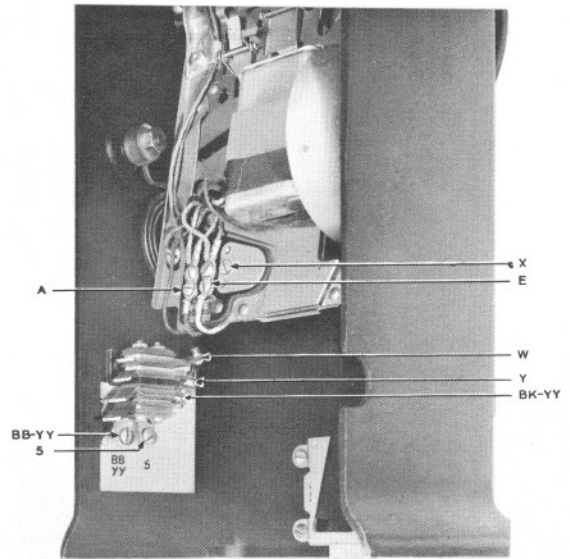


FIG. 4—UPPER HOUSING TERMINALS

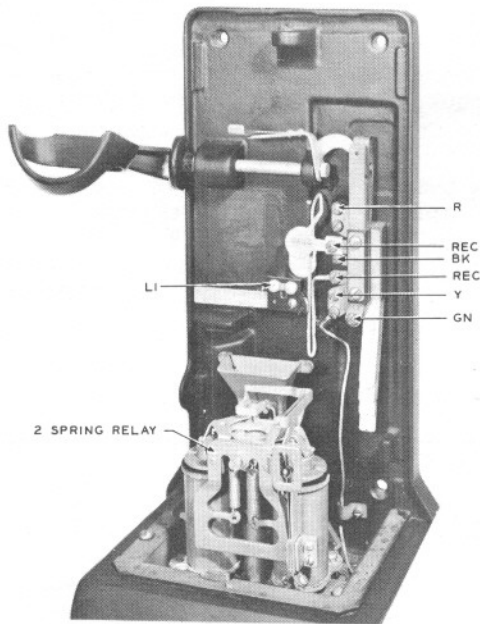


FIG. 3—LOWER HOUSING AND BACKPLATE TERMINALS

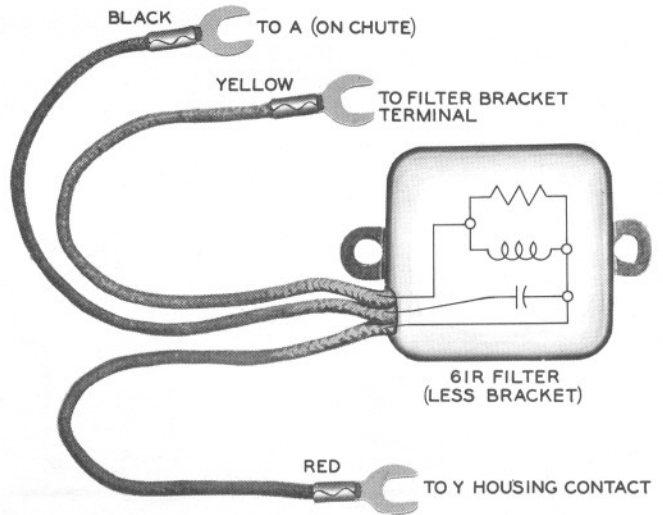


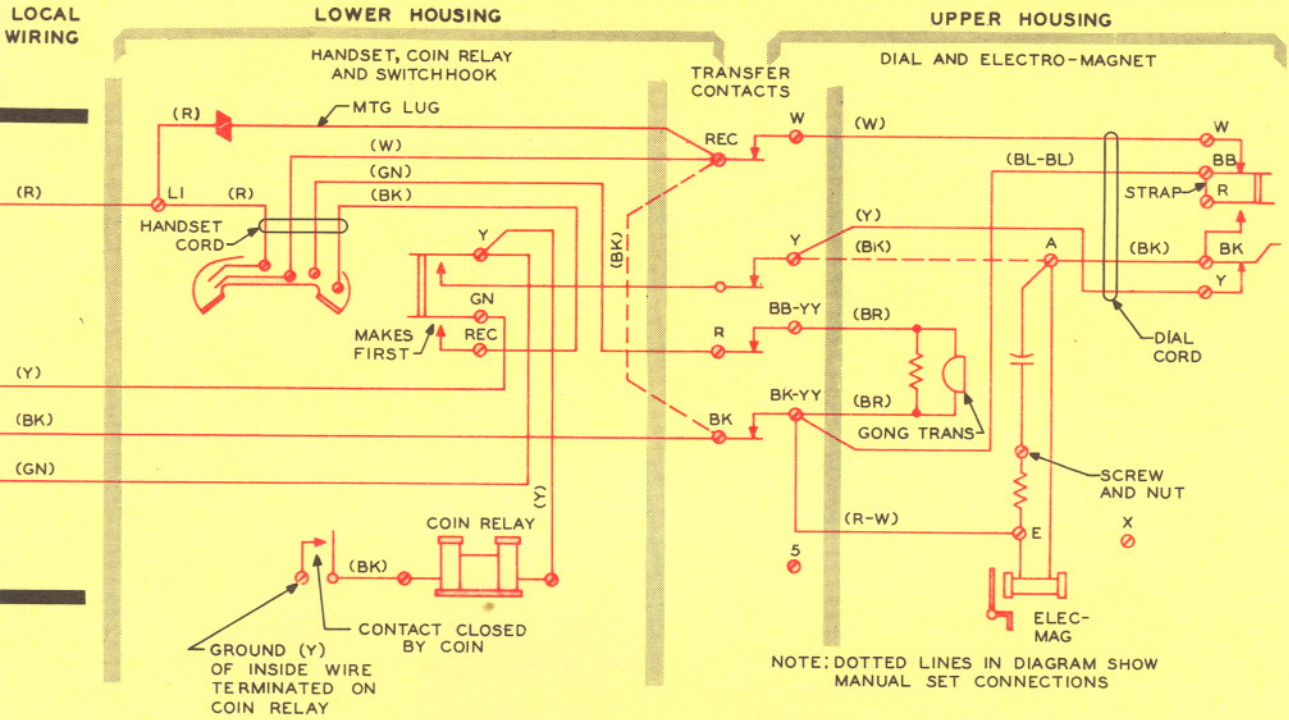
FIG. 5—61R FILTER CONNECTIONS

TABLE C—UPPER HOUSING

Upper Housing	Terminals				
Original	W	Y	BK-YY	BB-YY	5*
Replacement	W	Y	YY	BB	BK-YY

*Terminal 5 is not always furnished.

3.04 Circuit diagram of 176CL, DL, GL, HL coin collector when used with 634YD subscriber set.



3.05 Circuit diagram of 176CL, DL, GL, HL coin collector when used with 634YE subscriber set.

