

COIN COLLECTORS — PREPAY — 191CL, DL, GL, HL

LOCAL BATTERY — CONNECTIONS

1.00 INTRODUCTION

This section covers the combination of apparatus, circuit diagrams, and connections for the 191CL, DL, GL, and HL coin collectors when used for prepay service on a 10-cent initial charge basis as local battery talking—common battery signaling stations.

2.00 GENERAL

2.01 The line limits within which the coin features of these coin collectors will operate when used as local battery talking—common battery signaling stations are dependent upon the type and arrangement of the central office equipment to which they are connected. Therefore, these coin collectors shall not be used at such stations without proper authorization.

2.02 These coin collectors may be used with the 634YD subscriber set (standard connections) or the 634YE subscriber set (long loop connections) when their use does not conflict with the requirements in 2.01.



FIG. 1—191CL, DL
 MANUAL SET



FIG. 2—191GL, HL
 DIAL SET

TABLE A—COMBINATION OF APPARATUS—LOWER HOUSING AND BACKPLATE

Type Collector	Components					
	Handset	Handset Cord	Induction Coil	Capacitor	Coin Relay	Varistor
191CL 191GL	F1B	H3AE	101B	452C or 195C	P-145749	37A

TABLE B—COMBINATION OF APPARATUS—UPPER HOUSING

Type Collector	Components				
	Dial	Dial Adapter	Apparatus Blank	Capacitor	Coin Chute Assembly
191CL	—	—	50C	452A or B	P-340222
191DL	—	—			P-340223
191GL	5HH 6C	56A 63A	—		P-340222
191HL			—		P-340223

Note: Assembly P-340222 consists of a P-339526 chute, a P-349093 electromagnet (nonpolarized), and gong signals. Assembly P-340223 differs in that it is equipped with a P-339527 chute.

3.00 CONNECTIONS

3.01 The circuit diagrams in this section are shown on a foldout page so that they may be associated with the circuit diagram of the appropriate subscriber set to provide complete information for the connection of station apparatus.

3.02 The designations on the transfer contact terminals in some upper housings are different from those shown herein. Corresponding terminals are as shown in Table C.

3.03 The 191GL and HL coin collectors are arranged for, but not equipped with, a 61R filter for radio-frequency suppression. When a filter is required, move the yellow dial lead from the Y terminal in the upper housing to the filter bracket terminal and connect the filter as shown in Fig. 5.

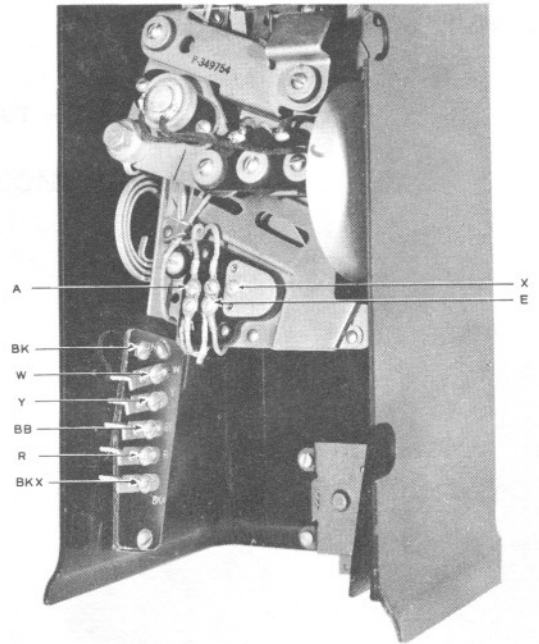


FIG. 4—UPPER HOUSING TERMINALS

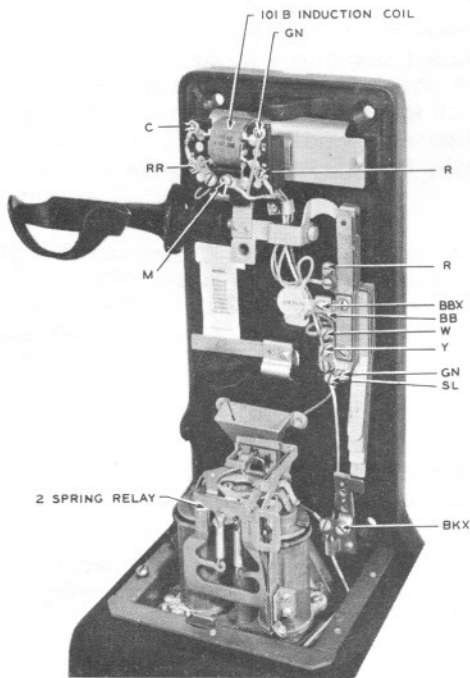


FIG. 3—LOWER HOUSING AND BACKPLATE TERMINAL

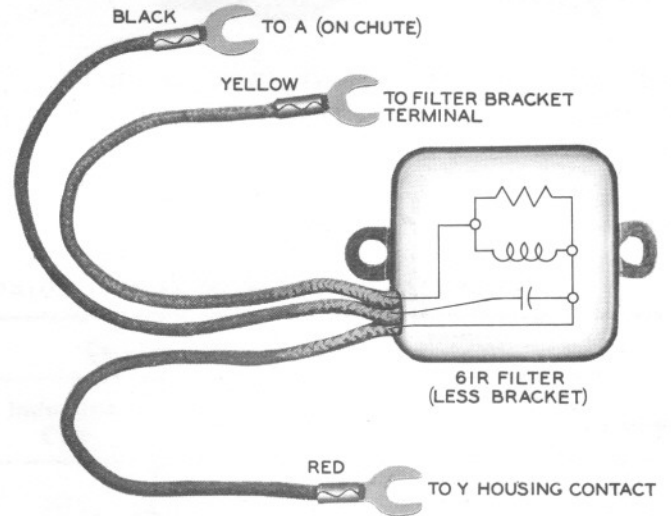


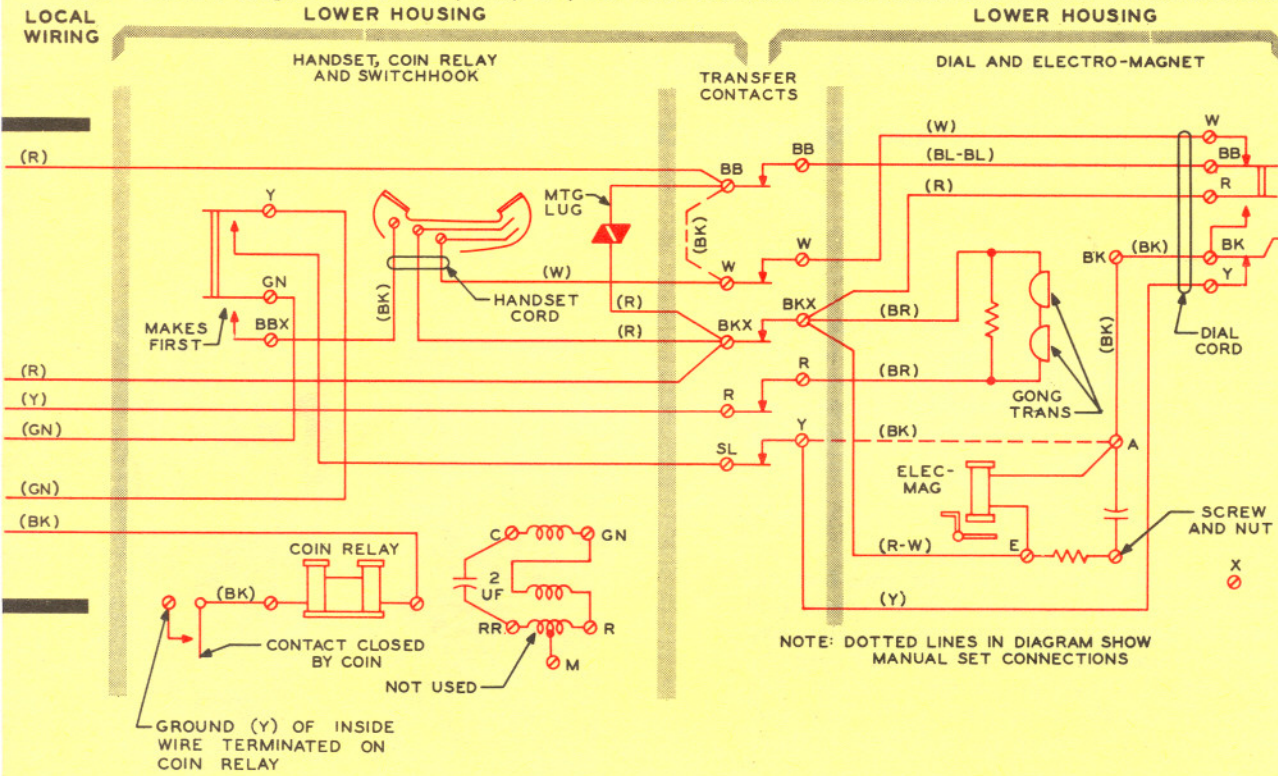
FIG. 5—61R FILTER CONNECTIONS

TABLE C—UPPER HOUSING

Upper Housing	Terminals				
	Original	W	Y	BK-YY	BB-YY
Replacement	W	Y	YY	BB	BK-YY

*Terminal 5 is not always furnished.

3.04 Circuit diagram of 191CL, DL, GL, HL coin collector when used with 634YE subscriber set.



3.05 Circuit diagram of 191CL, DL, GL, HL coin collector when used with 634YD subscriber set.

