

**BELL SYSTEM PRACTICES**

**SECTION C42.143**

**Station Installation and Maintenance Issue 1, September, 1952**

**AT&T Co Standard**

## **COIN COLLECTORS**

### **CONVERSIONS 191G TO D-179432**

### **AND 195G TO D-179433**

#### **1. GENERAL**

1.01 This section covers the procedures and requirements for converting a 191G or 195G coin collector to a D-179432 or D-179433 coin collector, respectively. The converted collector is equipped with the D-96590 (3-spring type) coin relay which short-circuits the pulsing contacts of the dial until the coin reaches the hopper.

1.02 The section is arranged to specify, insofar as possible, logical sequence of operations for most efficient conversions.

1.03 The converted coin collector shall be connected in accordance with the diagram shown in Section C64.241, and shall be corded as indicated in Section C42.106.

1.04 The converted coin collector shall meet the pertinent tests and adjustments covered in Sections C42.129 and C42.138.

#### **2. CONVERSION SUPPLIES**

2.01 To produce a D-179432 coin collector from a 191G, or a D-179433 from a 195G, the following parts are required:

1. D-96590 Coin Relay (3-spring)
2. P-347224 Transfer Spring Assembly
3. P-108139 Mounting Screw
4. P-474319 Strap Wire (Black 5-3/4" long)
5. P-290190 Strap Wire (Yellow 4-3/4" long)

#### **3. CONVERSIONS**

##### **Upper Housing**

3.01 At the housing terminals, the red conductor of the dial cord shall be connected to the Y terminal (instead of to the R) and the yellow conductor of dial cord or the red conductor from 61R filter shall be connected to the R terminal (instead of to the Y).

3.02 The black strap wire P-474319 shall be added between the BK housing terminal and the X terminal on the coin chute. The strap wire shall be dressed under the housing terminal plate in such a manner as to avoid interference with the quarter gong, the coin chute and the relay cover.

### **Backplate and Lower Housing Assembly**

3.03 The coin relay shall be replaced by coin relay D-96590.

3.04 Transfer spring assembly P-347224 shall be added over the equalizing spring and fastened by screw P-108139 as shown on Fig. 1. The end of the contact spring shall stand out minimum 1-1/8" from the front face of its mounting bracket measured from a point where bracket mounts over equalizing spring.

3.05 The yellow conductor previously connected to the left-hand coil terminal of the coin relay shall be disconnected from the M terminal of the induction coil and shall be removed from the coin collector.

3.06 The black conductor from the normally-closed, dial-shortening contact spring on the coin relay shall be connected to the X terminal of the added transfer spring.

3.07 The yellow conductor from the center contact spring on the coin relay shall be connected to the R terminal of the switchhook spring pile-up.

3.08 Strap wire P-290190 shall be connected between the outer contact spring (with screw terminal) on the coin relay and the left-hand coil terminal of the coin relay.

3.09 The ground wire of the local wiring shall be connected to the right-hand coil terminal of the coin relay.

3.10 The red conductor which is connected to the RR terminal of the induction coil shall be disconnected from the R terminal of the switchhook spring pile-up and shall be connected to the SL terminal of the switchhook spring pile-up.

3.11 The green wire of the local wiring which is connected to the L2 terminal of the external ringer shall be disconnected from the RR terminal of the induction coil and shall be connected to the R terminal of the switchhook spring pile-up.

## **4. CODE NUMBER**

4.01 Change the code number on the front of the backplate and on the inside of the upper housing to indicate "D-179432" or "D-179433" coin collector. Use crayon, label, or equivalent in accordance with local instructions.

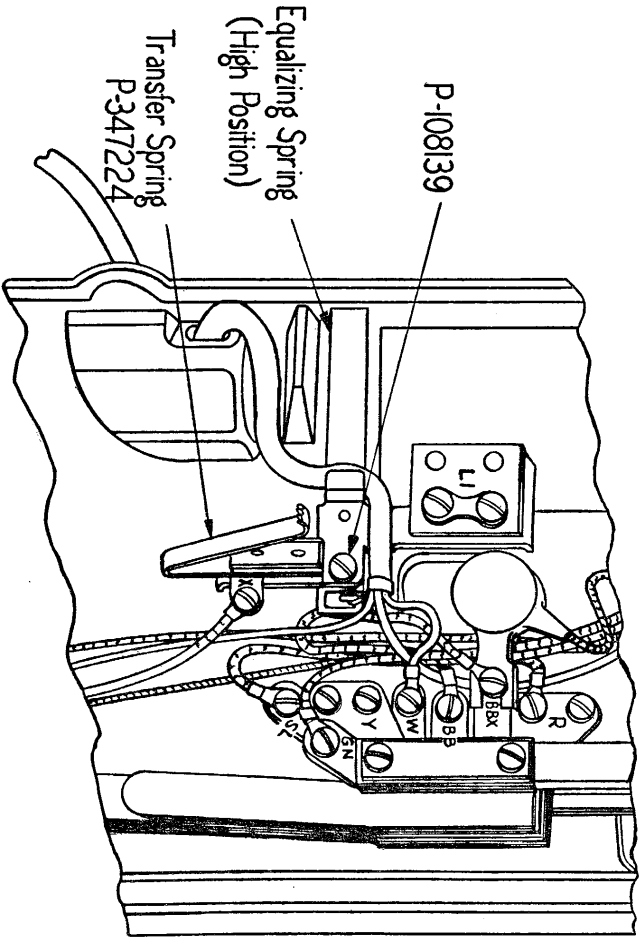


Fig. 1—Location of Transfer Spring

**BELL SYSTEM PRACTICES**  
**Station Installation and Maintenance**

**ADDENDUM C42.143**  
**Issue 1, 1-2-53**  
**AT&T Co Standard**

## **COIN COLLECTORS**

### **CONVERSIONS 191G TO D-179432**

### **AND 195G TO D-179433**

#### **1. GENERAL**

1.01 This addendum supplements Section C42.143, Issue 1.  
It is issued to include the conversion of 191G and 195G coin collectors equipped with 101A induction coils and to call for marking the converted coin collectors.

#### **3. CONVERSIONS**

Replace heading above Paragraph 3.03.  
Add heading and Paragraphs 3.12 to 3.15.

##### **Backplate and Lower Housing Assembly** **(With 101B Induction Coil)**

3.03 (etc.)

##### **Backplate and Lower Housing Assembly** **(With 101A Induction Coil)**

3.12 The modifications for coin collectors equipped with 101A induction coil are the same as covered in 3.03 to 3.11 except as follows:

(a) The yellow conductor to be removed referred to in 3.05 which was connected to the left-hand coil terminal of the relay shall be disconnected from the Y terminal of the switchhook pile-up instead of the M terminal of the induction coil.

(b) The red conductor referred to in 3.10 is connected to the L1 terminal of the 101A induction coil instead of the RR terminal of the 101B induction coil. (See table in 3.15.)

3.13 In addition, the line wires shall be reversed in the coin collector as follows:

- (a) The "tip" wire shall be connected to the R terminal of the switchhook pile-up instead of the Y terminal.
- (b) The "ring" wire shall be connected to the Y terminal of the switchhook pile-up instead of to the R terminal.

3.14 The local wires from the external ringer shall also be reversed in the coin collector as follows:

- (a) The green wire from the L2 terminal of the ringer shall be removed from the L2Y terminal on the induction coil and shall be connected to the R terminal of the switchhook pile-up.
- (b) The red wire from the L1 terminal of the ringer shall be removed from the L1 terminal of the induction coil and shall be connected to the L2Y terminal of the induction coil. If the cording arrangement at the cord clamp adjacent to the induction coil is changed for any reason, the yellow conductor between the L2Y terminal of the induction coil and the Y terminal of the switchhook pile-up shall be removed and the red wire from the L1 terminal of the ringer shall be connected directly to the Y terminal of the switchhook pile-up.

3.15 The circuit diagram for the D-179432 or D-179433 coin collector in Section C64.241 shows the 101B induction coil. The corresponding terminals of the two coils are as follows:

		*				**
101B	RR	M	R	C	GN	—
101A	L1	—	R	C	GN	L2Y

\* M is center tap on coil winding.

\*\* L2Y is terminal not connected in coil.

Add the following heading and Paragraph 4.01.

#### 4. CODE NUMBER

4.01 Change code number on front of backplate and on inside of upper housing to agree with the new code number of the converted coin collector. Use crayon, label or equivalent in accordance with local instructions.