

COIN COLLECTORS

MULTI-SLOT TYPES

APPARATUS BLANKS

1. GENERAL

1.01 This section replaces Section C42. 902, Issue A and Addendum C42. 902, Issue A. It covers the replacement of the 50C apparatus blank with a new type apparatus blank on multislot coin collectors and provides information in connection with the installation of the Group 1 apparatus blank. It is reissued to incorporate the addendum and the section. ←

1.02 To provide customers with more and important information, a larger card holder, No. ISC, has been made available.

1.03 Placing the larger card holder on hand set type instruments provided facilities for two instruction cards.

1.04 In order to prevent unauthorized use of the additional card holder, the 50C apparatus blank shall be removed on routine visits to stations on which the No. ISC card holder has been installed.

2. APPARATUS BLANKS

2.01 Apparatus blanks to cover the space vacated by the removal of the 50C apparatus blanks are as follows:

Blank, Apparatus, Dwg. DA-69007-11

Group 1 - For use on dial 181, 183, 191, and 193 type coin collectors for replacement of 50C apparatus blank, (see Figure 2).

Group 2 - For use on 174 and 176 type coin collectors for replacement of 50C apparatus blank, (see Figure 3).

Group 5 - For use on all manual coin collectors as a replacement for the 50C apparatus blank over the dial recess, (see Figure 4).

3. REPLACEMENT PROCEDURE

3.01 The 50C apparatus blank shall be replaced by one or two of the apparatus blanks specified in Paragraph 2.01. Selection of the proper group numbers are listed in the following table:

Coin Collector	Apparatus Blank Group	See Figure
A150G, 155C, A161A, A161C, A162A, A162C, 166C	5	1(C) and 4
174C, 176C	2 and 5	1(A), 3, and 4
174G, 176G	2	1(E) and 3
181C, 182C, 191C	5	1(B) and 4
181G, 183G, 191G, 193G	1	1(D) and 2

Note: The top of the new apparatus blank is the edge nearest the mounting hole or holes. The new apparatus blank is designed to cover the maximum surface exposed by removal of the 50C apparatus blank.

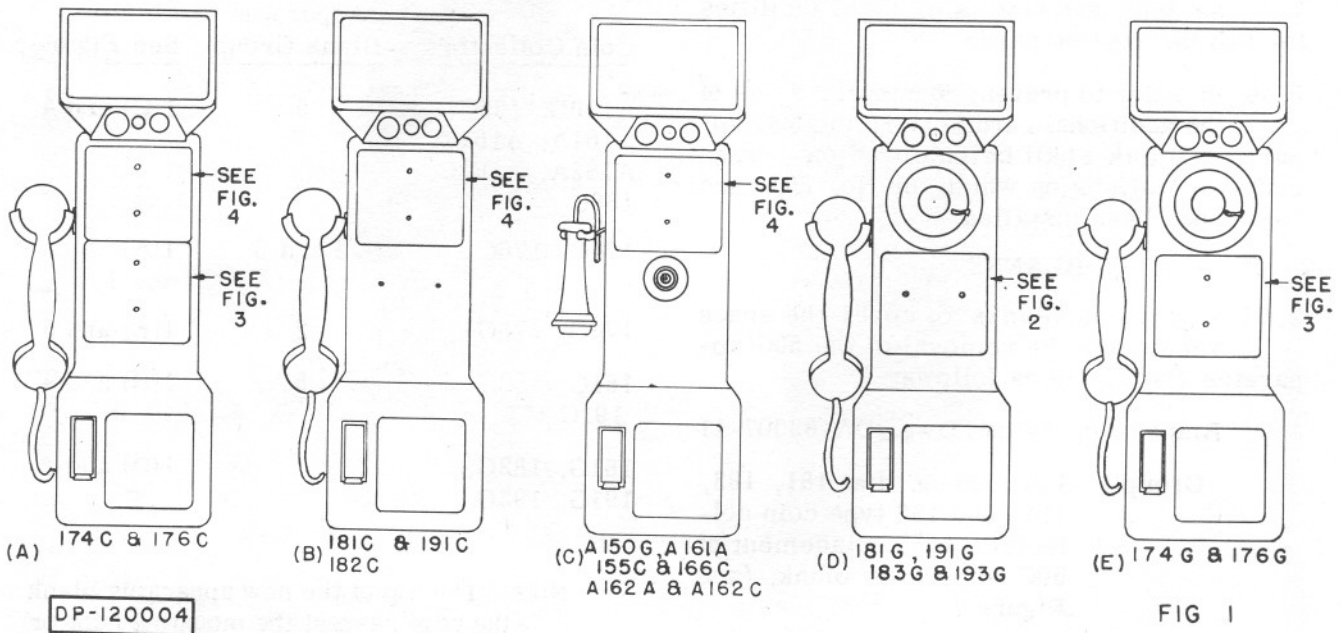
3.02 In all cases in which drive studs are used to fasten the apparatus blanks, the upper housing shall be removed from the coin collector and placed on a substantial surface that will not be marred when the studs are driven.

3.03 To install the Group 1 apparatus blank, two drive studs are required and are furnished with the apparatus blank. The plate shall be placed in position over the attaching holes, and studs placed in the holes and driven tightly. Housings may be encountered with the attaching holes drilled too large to allow a tight fit of the stud when driven into the housing through the apparatus blank. In these cases, the apparatus blank may be omitted and the studs only driven into the housing. The apparatus blank shall be returned to the supplies department.

3.04 To install the Group 2 apparatus blank, two drive pin rivets and two R. H. grooved drive studs are required and are furnished

with the apparatus blank. Removal of the 50C apparatus blank on 174 and 176 type coin collectors exposes the mounting holes which had been used to mount the transmitter bracket. Place the drive pin rivets and drive in until the heads are in contact with the housing, place the drive studs through the new apparatus blank into the drive pin rivets, and drive the studs tightly.

3.05 To install the Group 5 apparatus blank, two washers and two P-210815 R. H. S. machine screws are required and are furnished with the apparatus blank. Removal of the 50C apparatus blank on manual type coin collectors exposes the dial recess. The Group 5 apparatus blank shall be placed over the two horizontal mounting screw holes of the dial recess. The machine screws shall be inserted from the rear of the recess and tightened. Care must be taken to prevent over tightening as this may cause the Rivnut holding the assembly to snap off.



Figures 1(A), (B), (C), (D), and (E)

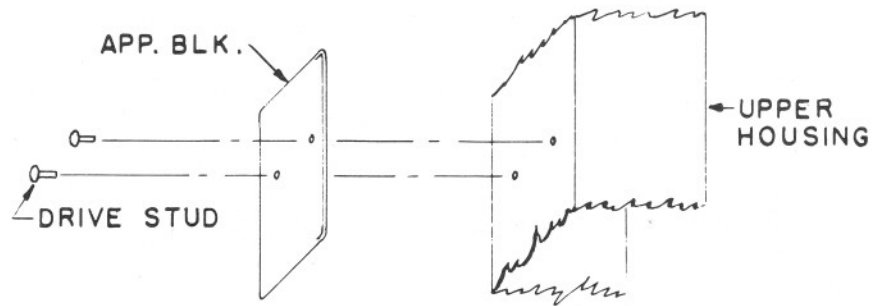


Figure 2 - Assembly of DA-69007-11, Grp. 1 App. Blk.

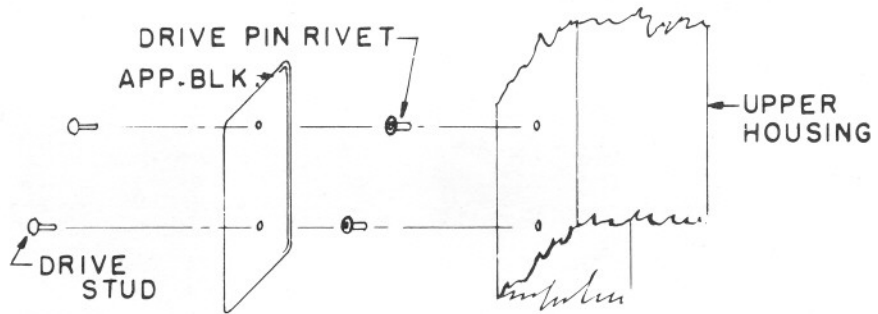


Figure 3 - Assembly of DA-69007-11, Grp. 2 App. Blk.

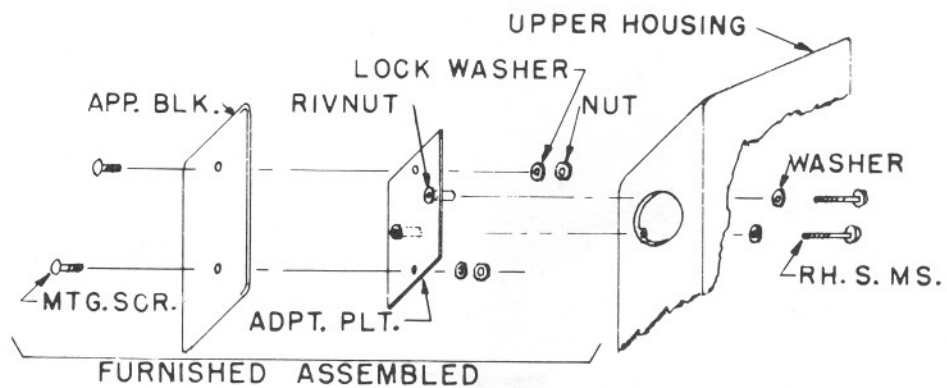


Figure 4 - Assembly of DA-69007-11, Grp. 5 App. Blk.

DP-120004