

**BELL SYSTEM PRACTICES**  
**Station Installation and Maintenance**

**ADDENDUM C65.811**  
**Issue 1, December, 1953**  
**AT&T Co Standard**

## **CODE CALLING SYSTEMS**

### **1A AND 1B**

### **CONNECTIONS**

#### **1. GENERAL**

1.01 This addendum supplements Section C65.811, Issue 3. It is issued to include the KS-14468 code sending stations, to revise the table, and to include Figs. 2A, 8 and 9.

#### **2. CONNECTIONS**

Add the following table and Figs. 2A, 8 and 9 to 2.03, to be used for KS-14468 code sending stations.

2.03

<b>SYSTEM</b>	<b>POWER SUPPLY</b>	<b>REMARKS</b>
1A	AC	Use Figs. 2A & 8
1B	AC	Use Figs. 8 & 9

**NOTE:** WHEN THE KS-14468 CODE SENDER REPLACES THE KS-8225 CODE SENDER IN THE 1A SYSTEM, MAKE WIRING CHANGES IN THE 3-WIRE RECEPTACLE TO CONFORM WITH FIG. 2A.

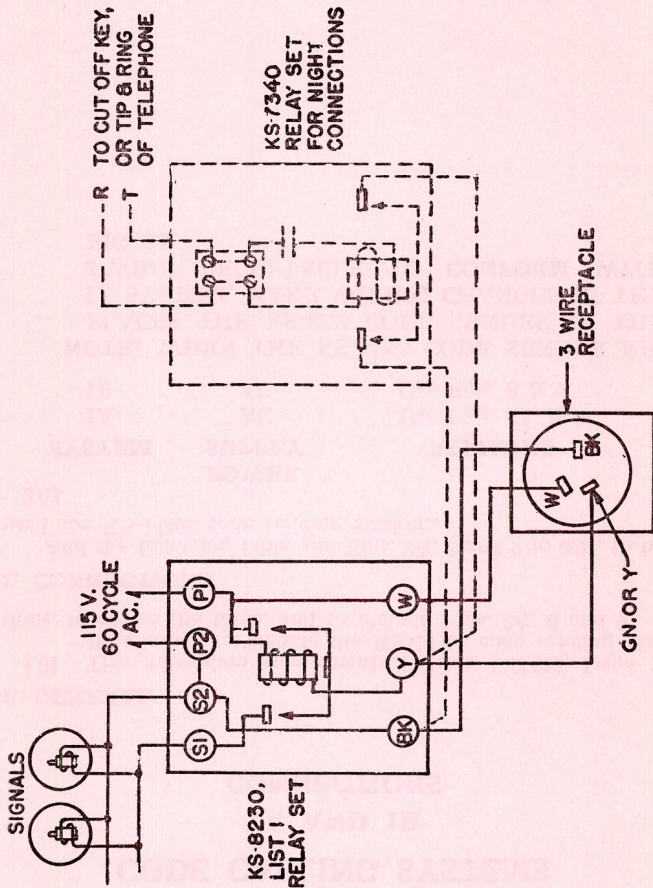


FIG. 2A - SIGNAL AND NIGHT  
CONNECTION CIRCUIT FOR IA SYSTEM (AC)

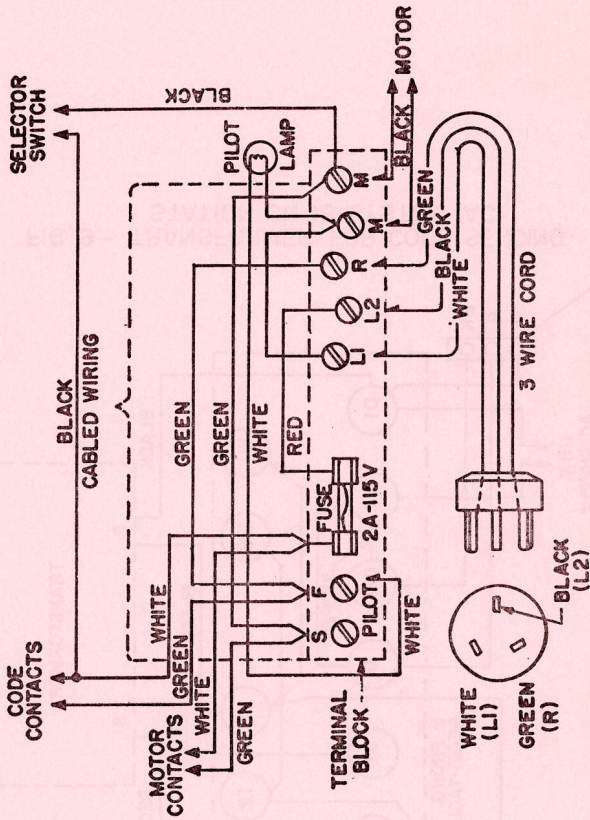


FIG. 8 - THE KS-14468 CODE CALLING STATION



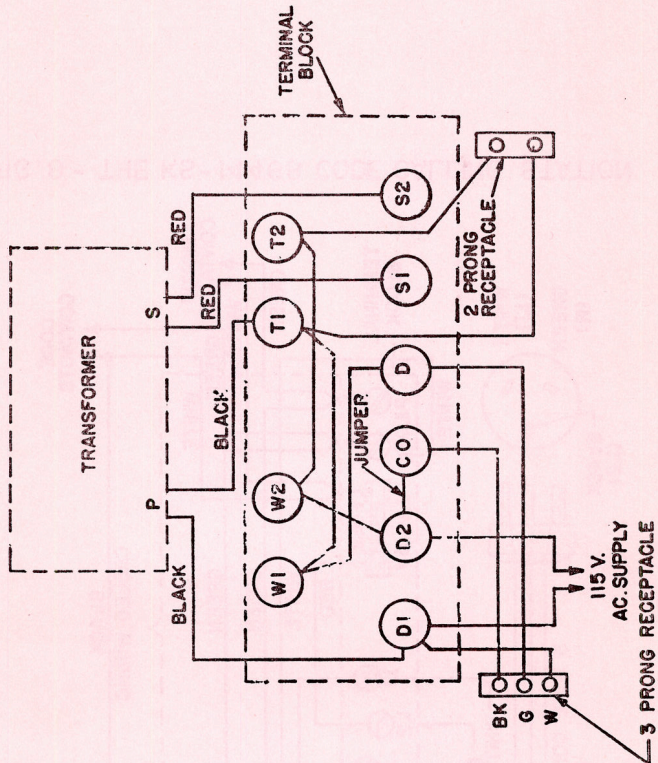


FIG. 9 - TRANSFORMER FOR CODE SENDING STATION ON IB SYSTEM (AC)