

**BELL SYSTEM PRACTICES**  
**Station Installation and Maintenance**

**SECTION C65.811**  
**Issue 3, 11-10-43**  
**AT&T Co Standard**

## **CODE CALLING SYSTEMS**

### **1A AND 1B**

### **CONNECTIONS**

#### **1. GENERAL**

1.01 This section covers the connections for the 1A and 1B Code Calling Systems including their associated signals which are also used in conjunction with the 2A and 2B Code Calling Systems covered in the P.B.X. Installation and Maintenance Practices. It is reissued to revise Figs. 1, 2, 4, 5 and 6.

#### **2. CONNECTIONS**

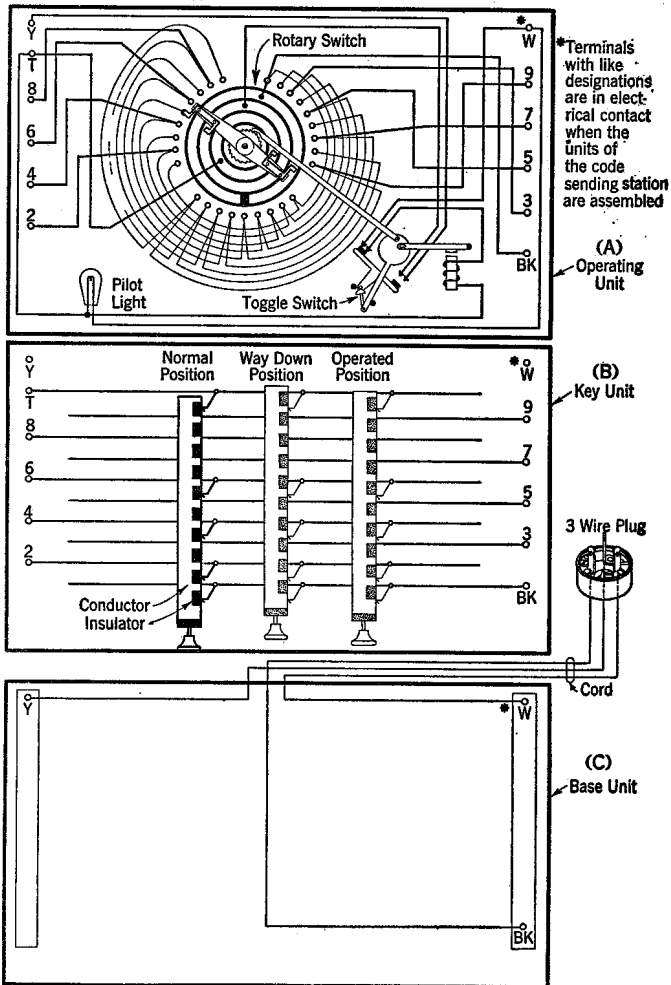
2.01 The diagrams in this section show typical schematic circuits of the 1A and 1B Code Calling Systems arranged for operation from either alternating or direct current commercial power supply.

2.02 All telephone wire connections shall be made in accordance with the sections covering the termination of station wiring and all connections to the power wiring shall be made in accordance with the National Electrical Code and any local regulations that may apply.

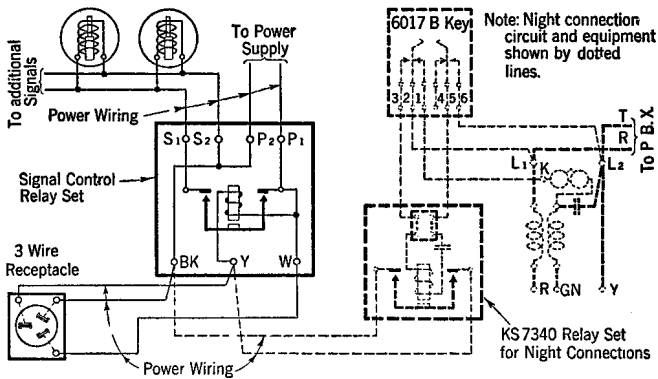
2.03 The following table is an index to the figures shown.

<b>System</b>	<b>Power Supply</b>	<b>Remarks</b>
1A	A-C	Use Figs. 1 (A), (B) and (C) and 2
1A	D-C	Use Figs. 1 (A), (B) and (C) and 2
1B	A-C	Use Figs. 1 (A) and (B), 3, 4 and 5
1B	D-C	Use Figs. 1 (A), (B) and (C), 6 and 7

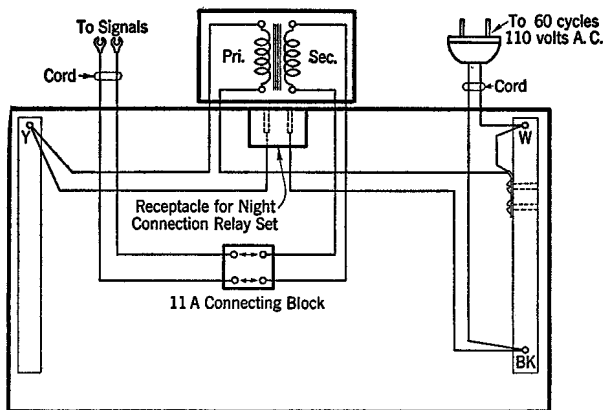
**CODE CALLING**  
**SYSTEMS**



**Fig. 1—Code Sending Station**

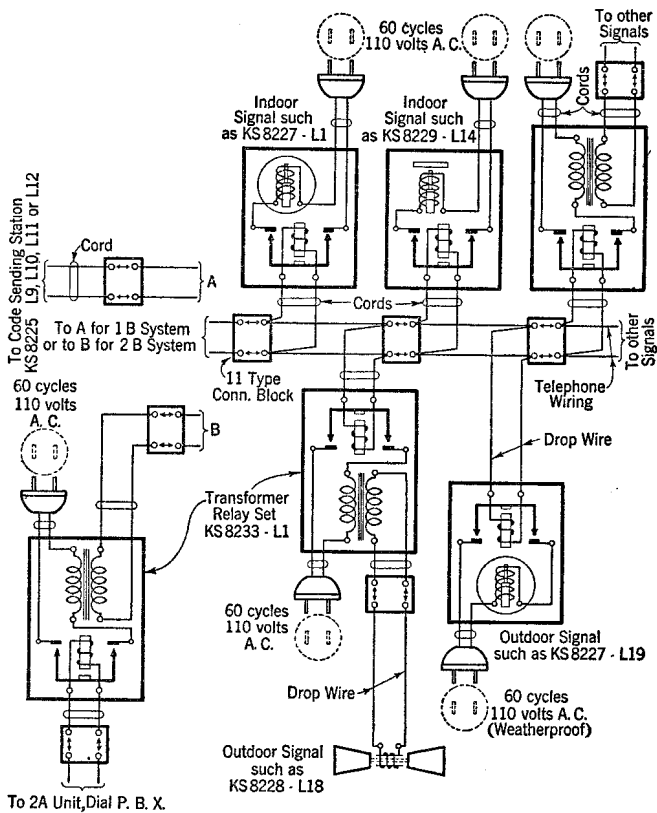


**Fig. 2—Signal and Night Connections Circuit for 1A System (A-C or D-C)**

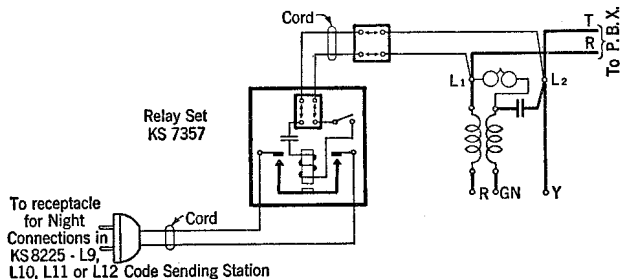


**Fig. 3—Base for Code Sending Station for 1B System (A-C)**

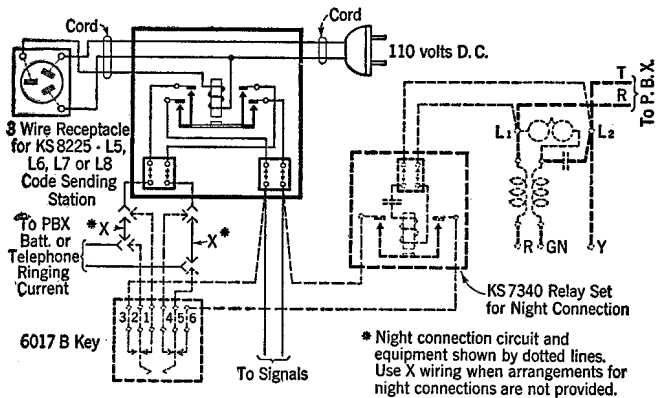
**CODE CALLING**



**Fig. 4—Signal Circuit for 1B System (A-C)**

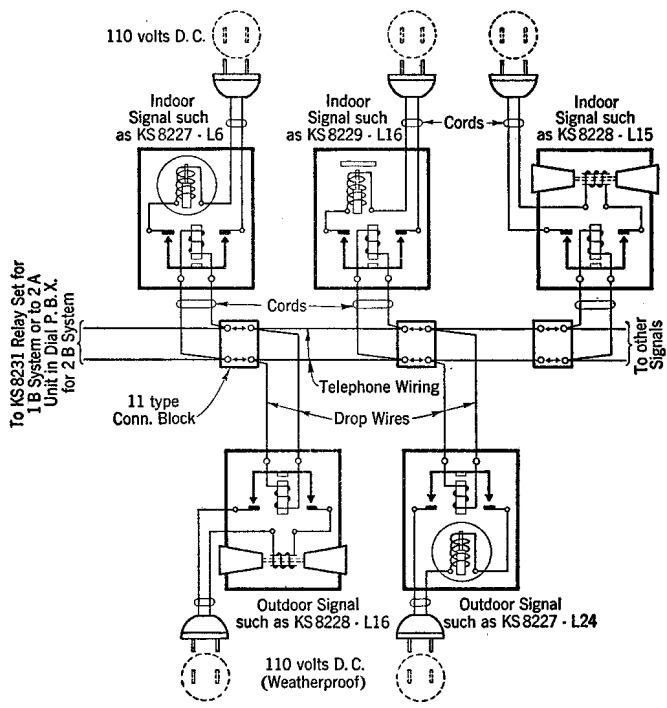


**Fig. 5—Night Connections for 1B System (A-C)**



**Fig. 6—Night Connections and KS-8231 Relay Set  
For 1B System (D-C)**

**CODE CALLING**



**Fig. 7—Signal Circuit for 1B System (D-C)**